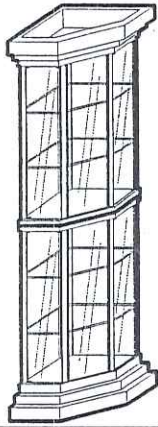
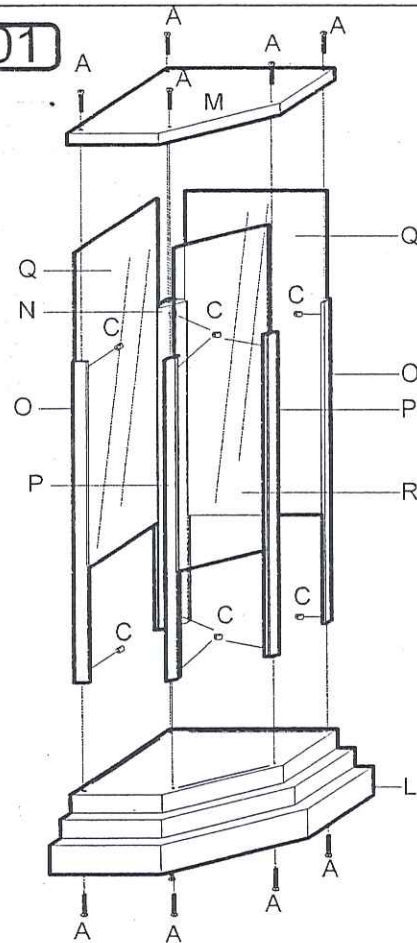


ITEM NO.2347



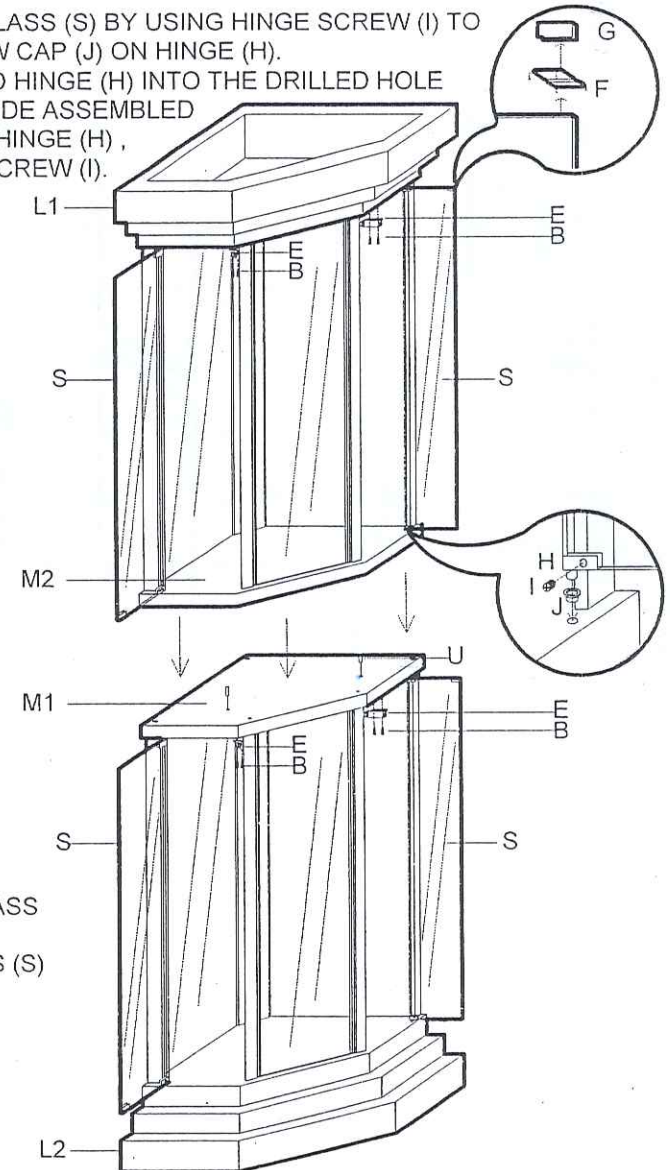
A	LONG MACHINE SCREWS	20
B	WOOD SCREWS	56
C	HANGERS BOLTS	20
D	SHELF SUPPORTS	20
E	MAGNETS	4
F	GLASS PAD	4
G	GLASS PROTECTOR	4
H	HINGE	8
I	HINGE SCREW	16
J	HINGE SCREW CAP	8
K	SIDE PANEL	4
L	BASE	2
M	CENTER WOOD SHELVES	2
N	BACK CORNER POST	2
O	SIDE POST	4
P	FRONT POST	4
Q	MIRROR	4
R	FRONT GLASS	2
S	DOOR GLASS	4
T	GLASS SHELVES	4
U	DOWEL	2

01



- 01.INSERT HANGER BOLT (C) INTO POST (N.O.P.)
- 02.INSERT POST (N.O.P.) INTO BASE (L) BY USING LONG MACHINE SCREW (A)
- 03.SLIDE MIRROR (Q) INTO POST (N.O.)
- 04.SLIDE GLASS (R) INTO POST (P)
- 05.SAME AS STEP 01.
- 06.TO ATTACH CENTER WOOD SHELF (M) BY USING LONG MACHINE SCREW (A) TO ASSEMBLED FRAMES.
- 07.TO ATTACH HINGE (H) TO DOOR GLASS (S) BY USING HINGE SCREW (I) TO TIGHTEN, THEN PUT HINGE SCREW CAP (J) ON HINGE (H).
- 08.INSERT HINGE SCREW (J) AND HINGE (H) INTO THE DRILLED HOLE ON CENTER WOOD SHELF AND SLIDE ASSEMBLED DOOR GLASS OF STEP (07.) INTO HINGE (H), THEN TIGHTEN BY USING HINGE SCREW (I).

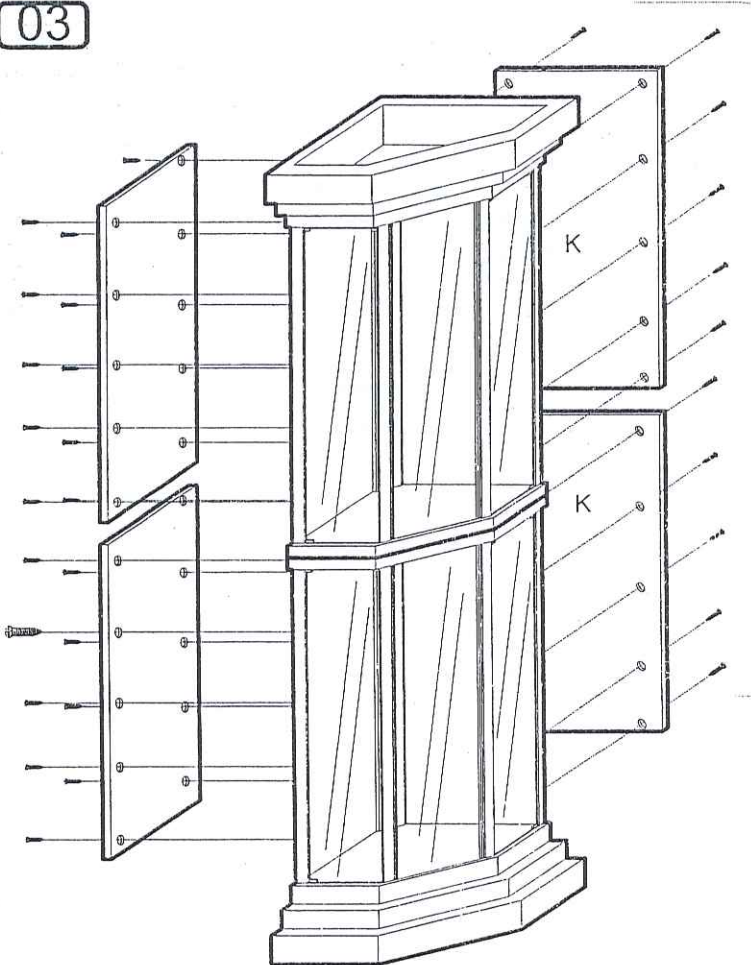
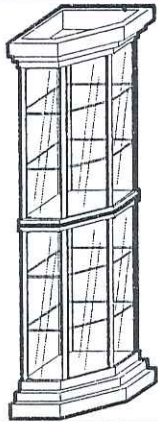
02



- 09.SAME AS STEP (01.)-(08.) AND UPSIDE DOWN AS UPPER CABINET AND USE DOWELS (U) TO FIRM IT.
- 10.TAKE OFF THE BACK STICKER OF GLASS PAD (F) AND INSERT INTO GLASS PROTECTOR (G).
- 11.SLIDE UPPER-RIGHT AND UPPER-LEFT CORNER OF EACH DOOR GLASS (S) INTO GLASS PROTECTOR (G) SEPERATELY.
- 12.INSERT WOOD SCREW (B) THROUGH MAGNET (E) AND TIGHTEN INTO UNDERSIDE TOP (L.M)

ITEM NO.2347

03

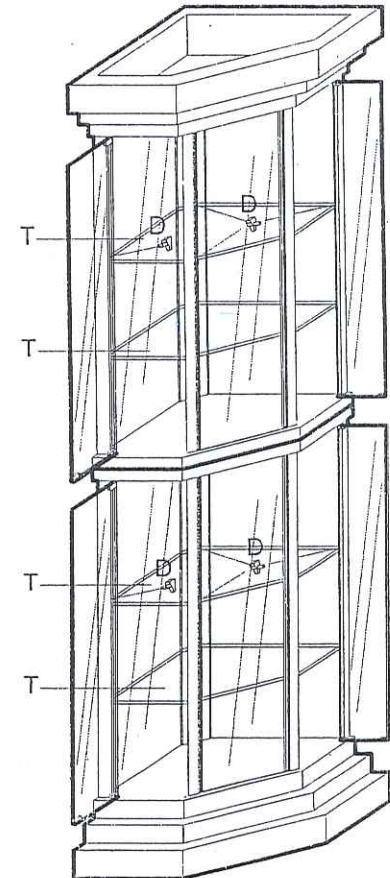


13. INSERT WOOD SCREW (B) THROUGH SIDE PANEL (K) AND TIGHTEN.

B

A	LONG MACHINE SCREWS	20
B	WOOD SCREWS	56
C	HANGERS BOLTS	20
D	SHELF SUPPORTS	20
E	MAGNETS	4
F	GLASS PAD	4
G	GLASS PROTECTOR	4
H	HINGE	8
I	HINGE SCREW	16
J	HINGE SCREW CAP	8
K	SIDE PANEL	4
L	BASE	2
M	CENTER WOOD SHELVES	2
N	BACK CORNER POST	2
O	SIDE POST	4
P	FRONT POST	4
Q	MIRROR	4
R	FRONT GLASS	2
S	DOOR GLASS	4
T	GLASS SHELVES	4
U	DOWEL	2

04



14. INSERT SHELF SUPPORT (D) INTO POST (N.O.P.).
15. PUT GLASS SHELVES (T) ON SHELF SUPPORT (D)