

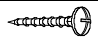
01665 Jewelry Mirror Assembly Instruction

Thank you for purchasing this quality product.


****Note:**

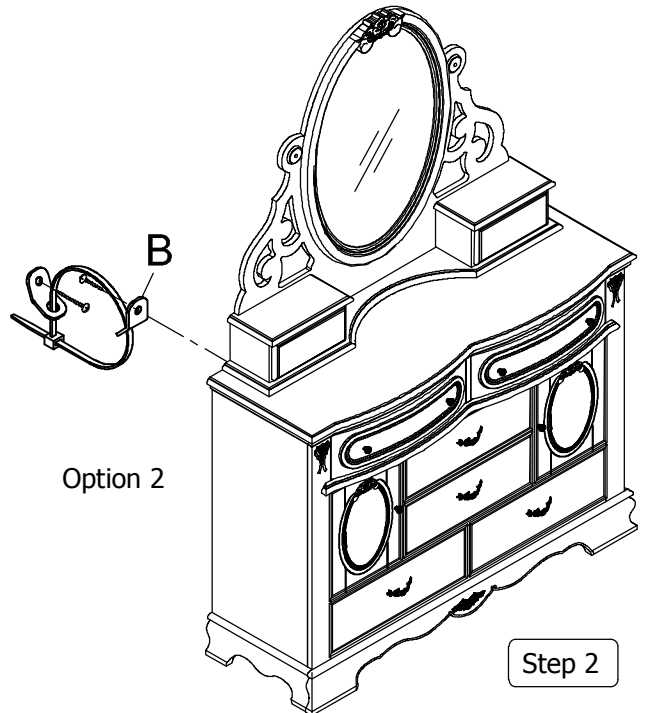
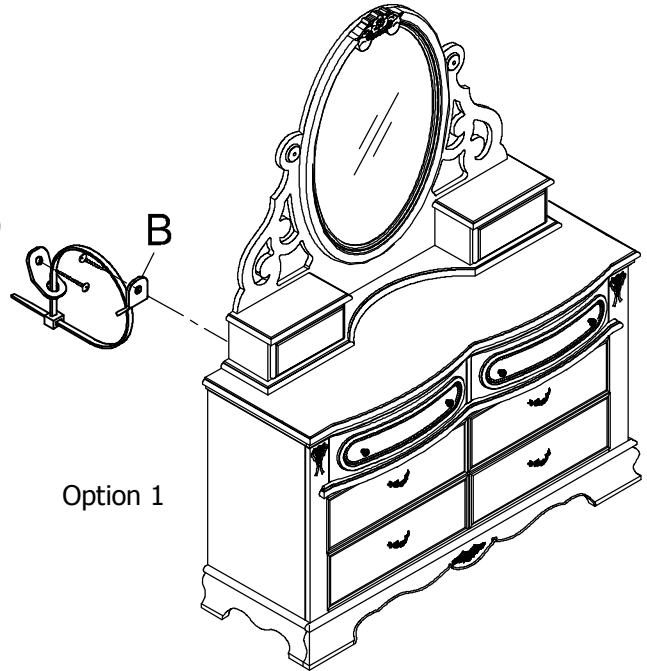
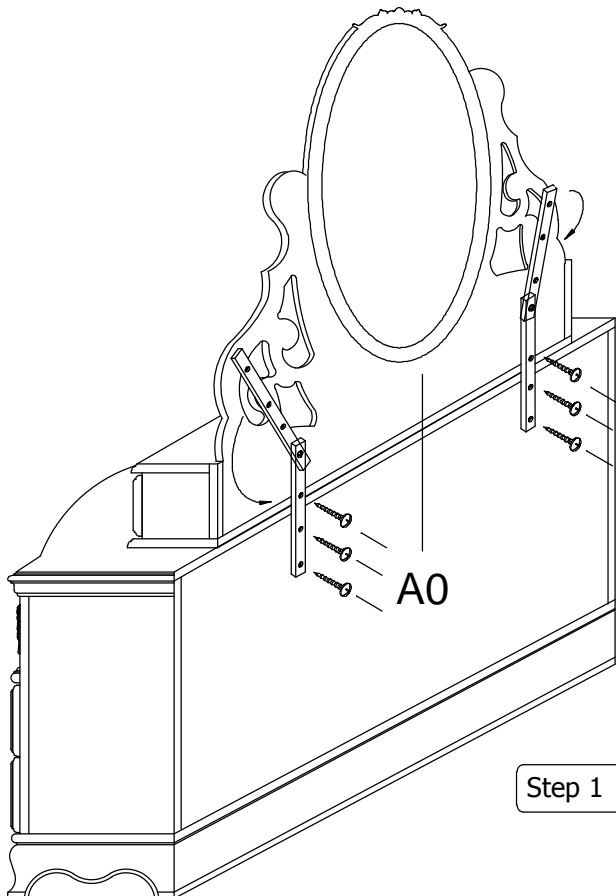
- (1) Loose the screw (A) a little and turn the battens to vertical position.
- (2) The back of the Mirror and Dresser must be place in a vertical line. Then tighten the screw in the correct position.

HARDWARE LIST (Enclosed in Mirror)

No	Description	Q'ty
A	 #8x1-1/4"	6pcs

HARDWARE LIST (Enclosed in Dresser)

No	Description	Q'ty
B	 Furniture tipping restraint	1set



MADE IN VIETNAM