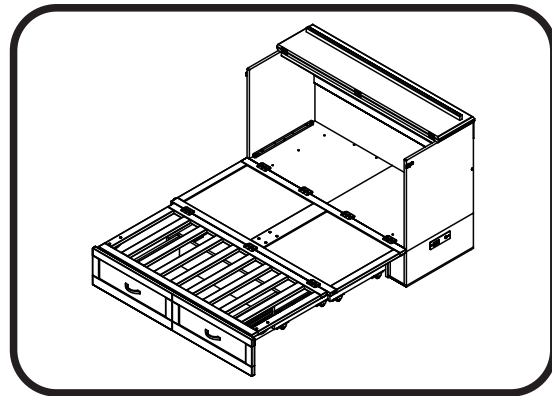
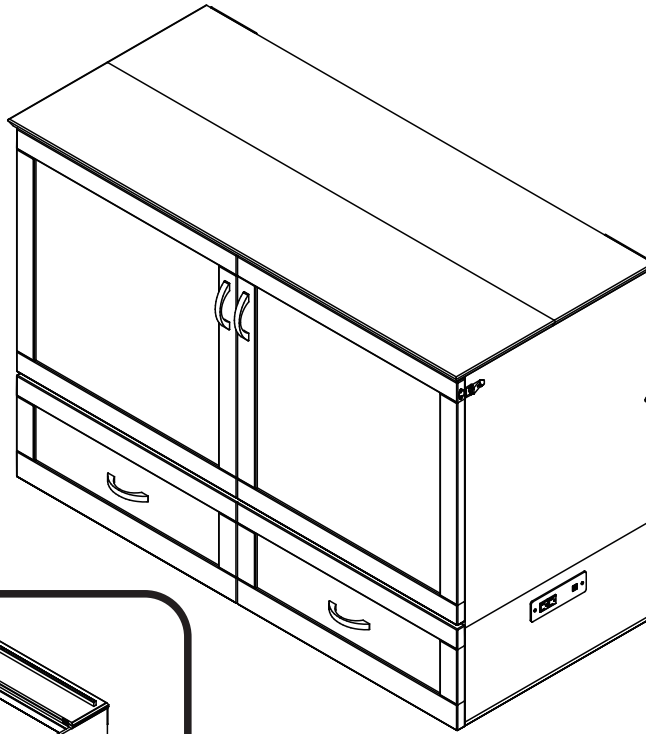


FULL ASSEMBLY INSTRUCTIONS

Before assembling your Murphy bed, please read through these instructions carefully and familiarize yourself with the different parts.

ATTENTION! If you receive a damaged or defective item, please contact afifurnishings at customerservice@afifurnishings.com or 1-800-955-3726



CODE	ITEM
MB-DB-HML	C-6235X
MB-DO-HML	C-6236X
MB-PL-HML	C-6237X
MB-LG-HML	C-6238X

PO :

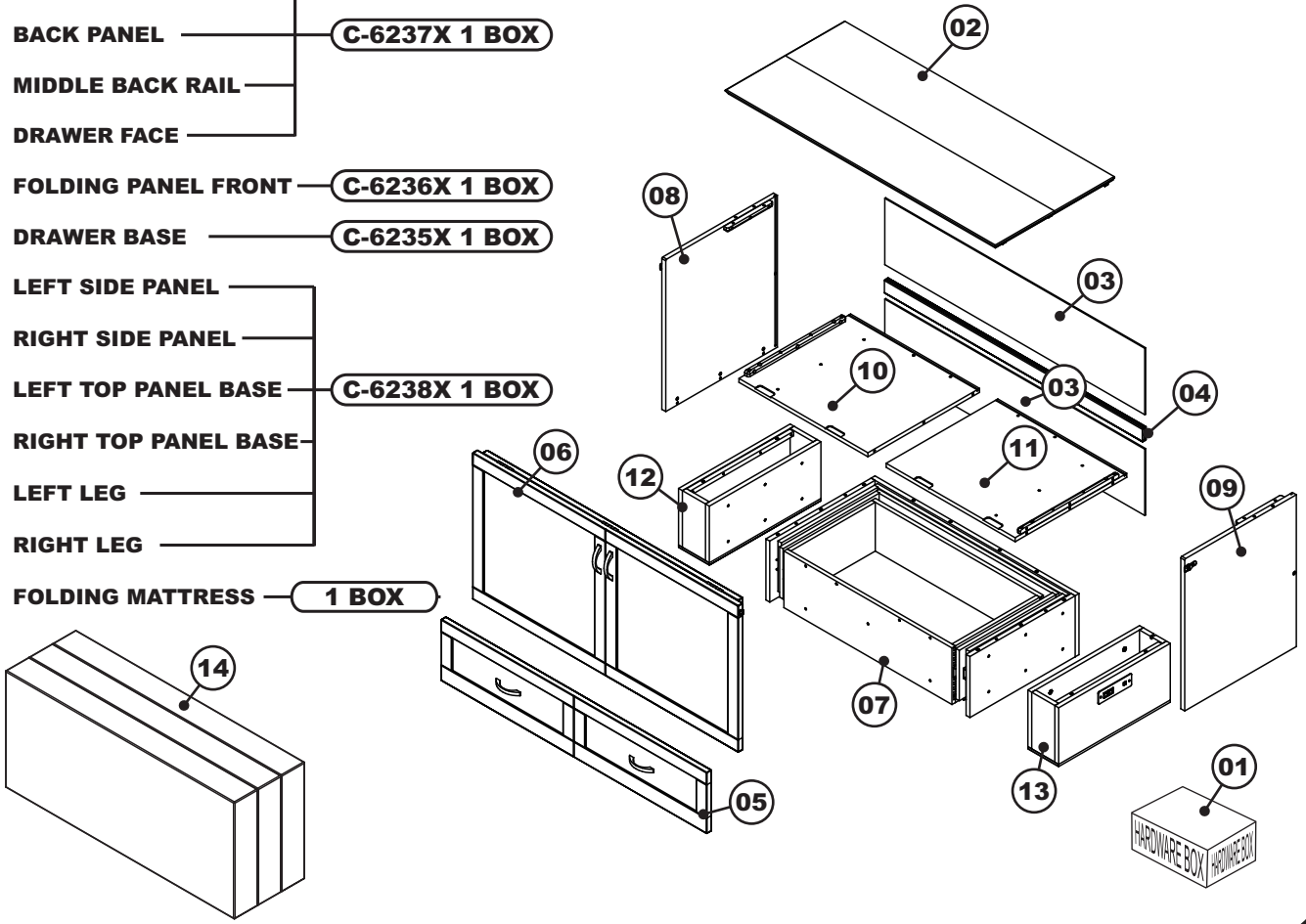
HARDWARE

NOTE: WE INCLUDE SPARE HARDWARE IN CASE DAMAGE OCCURS DURING ASSEMBLY.

- A** Wood dowel - 23 pcs
Spare - 1 pc
- B** JCB M6 X 25mm - 10 pcs
Spare - 1 pc
- C** JCB M6 X 40mm - 18 pcs
Spare - 1 pc
- D** JCB M6 X 60mm - 6 pcs
Spare - 1 pc
- E** Barrel Nut - 2 pcs
Spare - 1 pc
- F** Wood screw 5/8" - 12 pcs
Spare - 1 pc
- G** JCB M6 X 30mm - 5 pcs
Spare - 1 pc
- H** Triangle Metal Bracket - 2 pcs
- I** Wood screw 3/4" - 8 pcs
Spare - 1 pc
- J** Metal pull - 2 pcs
- K** Metal pull screw 25mm - 4 pcs
Spare - 1 pc
- L** Washer - 10 pcs
Adjust quantity as needed.
- M** Allen wrench - 1 pc
Spare - 1 pc

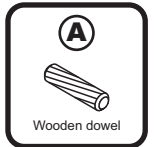
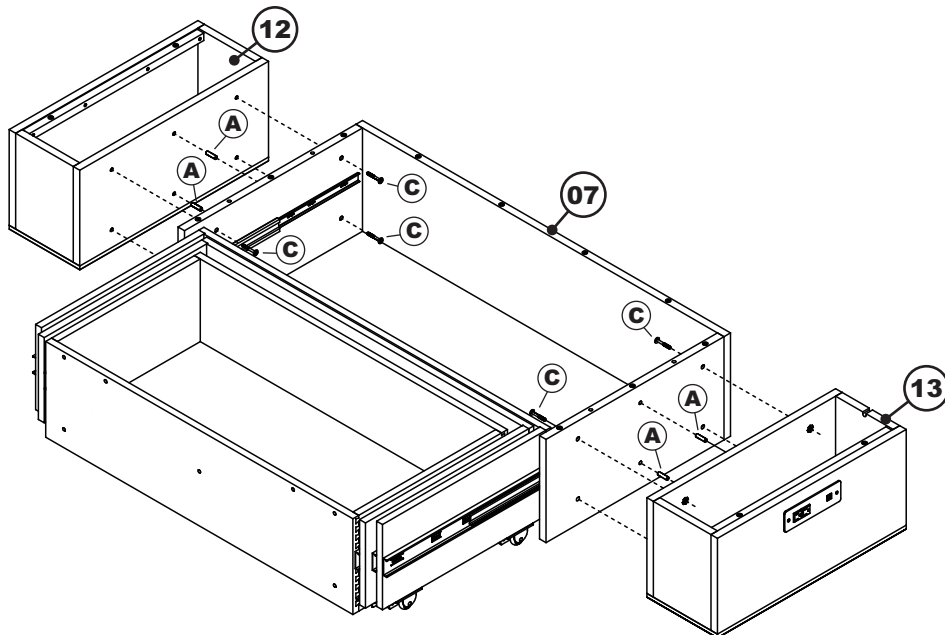
FULL PARTS LIST

- 01 HARDWARE — C-6235X
- 02 TOP PANEL
- 03 BACK PANEL — C-6237X 1 BOX
- 04 MIDDLE BACK RAIL
- 05 DRAWER FACE
- 06 FOLDING PANEL FRONT — C-6236X 1 BOX
- 07 DRAWER BASE — C-6235X 1 BOX
- 08 LEFT SIDE PANEL
- 09 RIGHT SIDE PANEL
- 10 LEFT TOP PANEL BASE — C-6238X 1 BOX
- 11 RIGHT TOP PANEL BASE
- 12 LEFT LEG
- 13 RIGHT LEG
- 14 FOLDING MATTRESS — 1 BOX



STEP 1

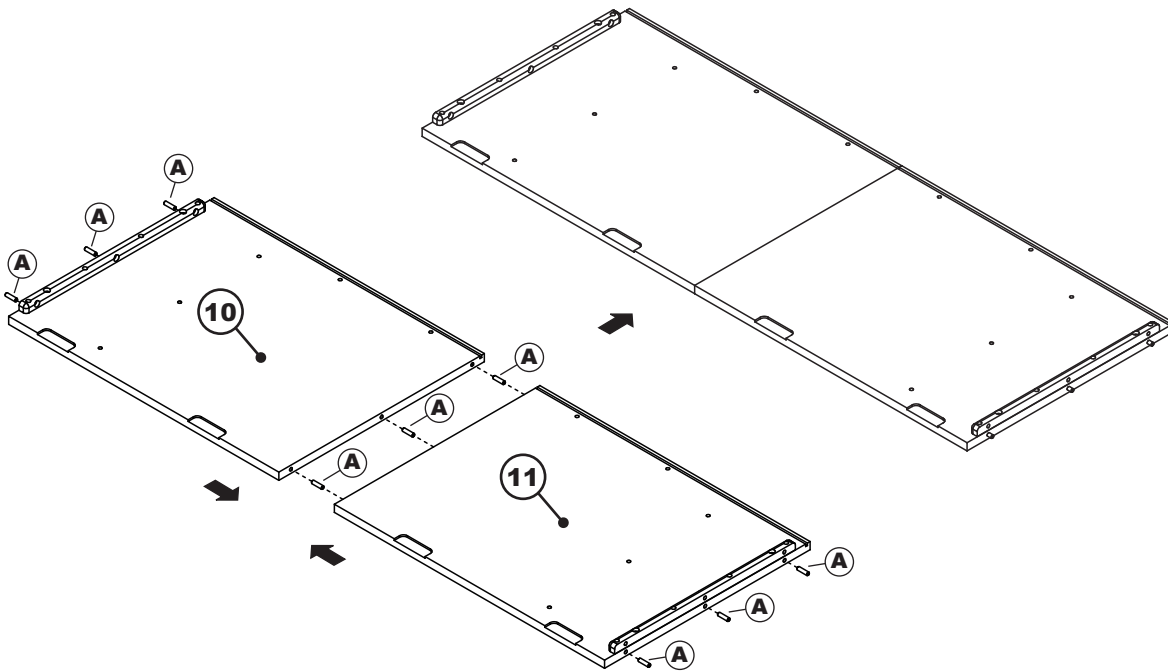
Attach left and right legs (12)(13) to the drawer base (07) as shown below. Using dowels (A) and JCB (C). Tighten with Allen wrench (M).



FULL

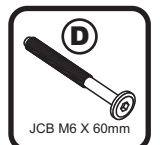
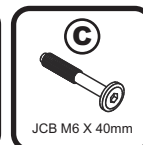
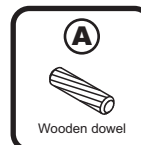
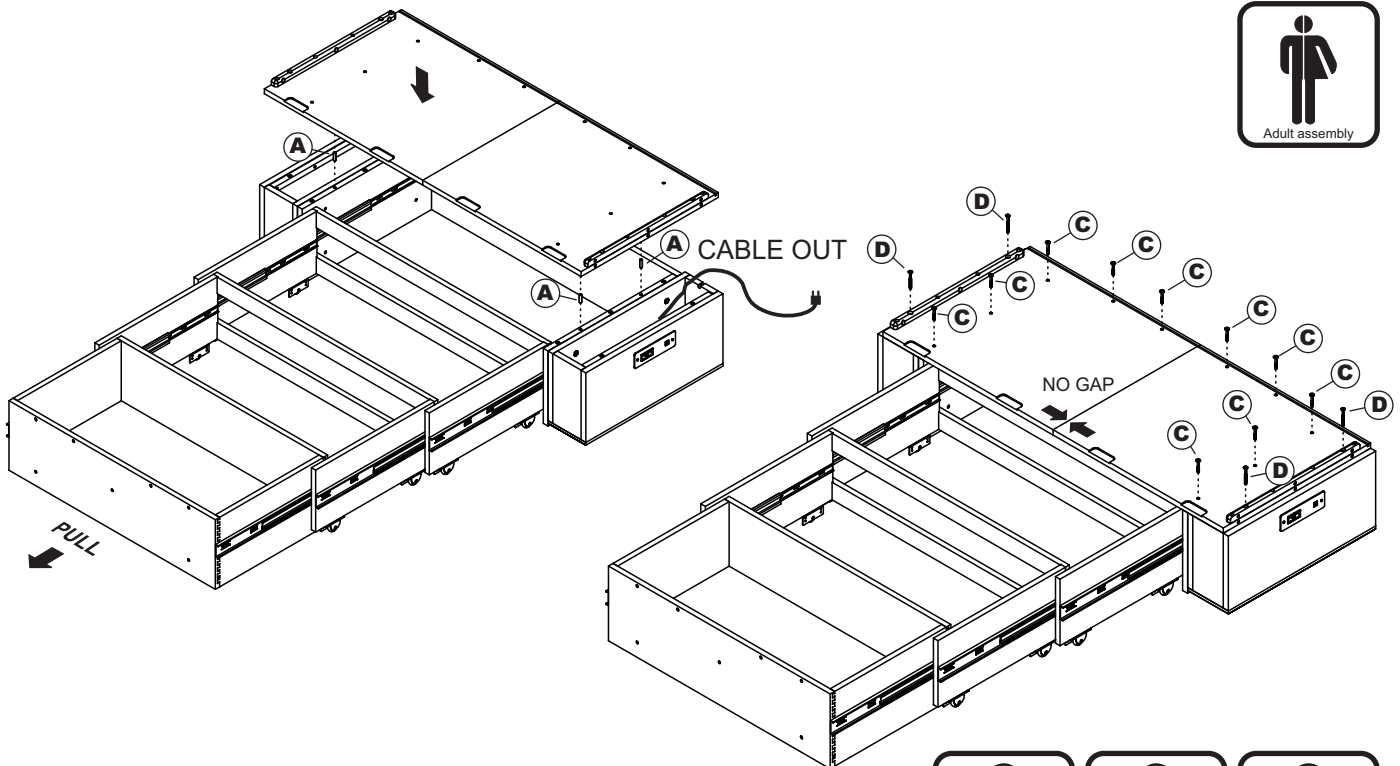
STEP 2

Attach left and right top panels base (10) and (11) as shown below. Using dowels (A).



STEP 3

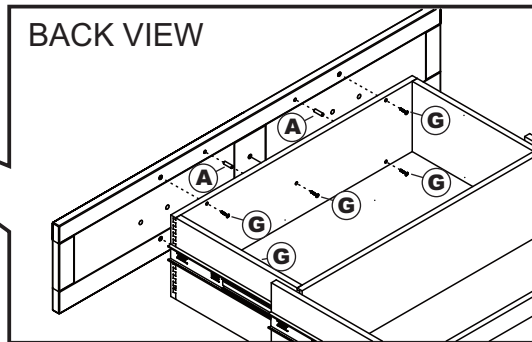
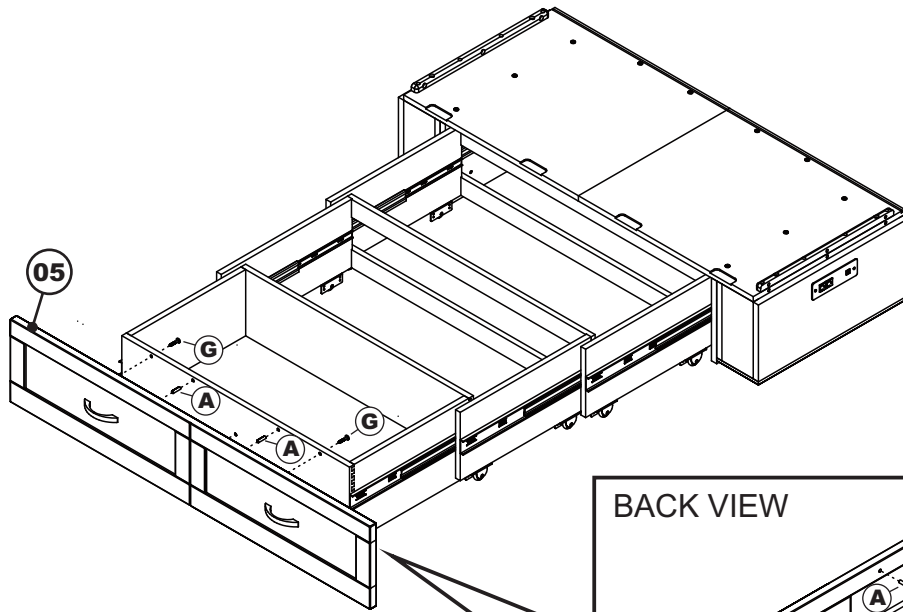
Open drawer as shown below. Attach top panel base to the drawer base as shown below. Using dowels (A). Using JCB (C) and (D). Tighten with Allen wrench (M).



FULL

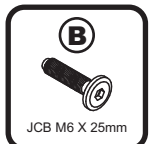
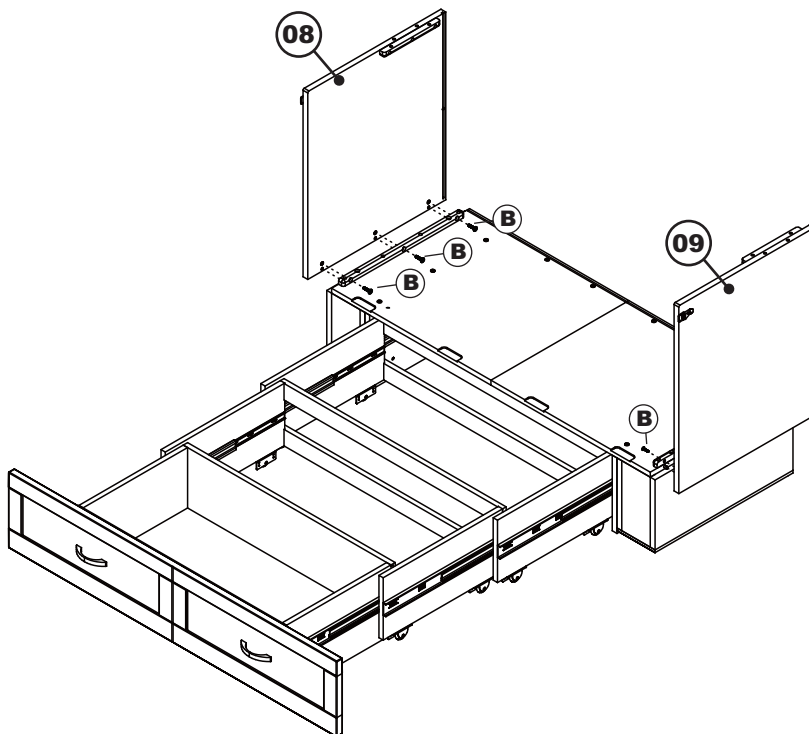
STEP 4

Attach drawer face (05) to drawer box as shown below. Using dowels (A) and JCB (G). Tighten with Allen wrench (M).



STEP 5

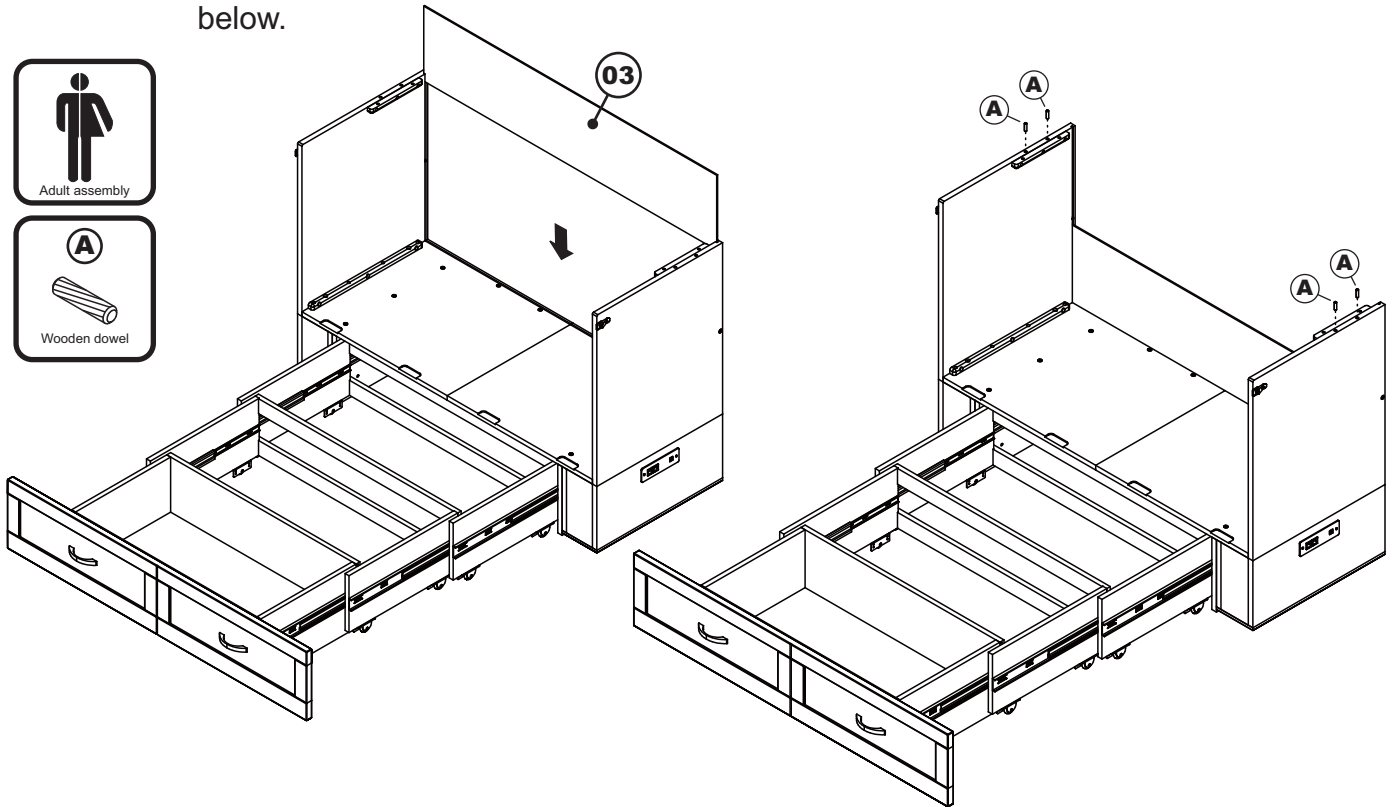
Attach left and right side panels (08) and (09) to the drawer base as shown below. Using JCB (B) tighten with Allen wrench (M)



FULL

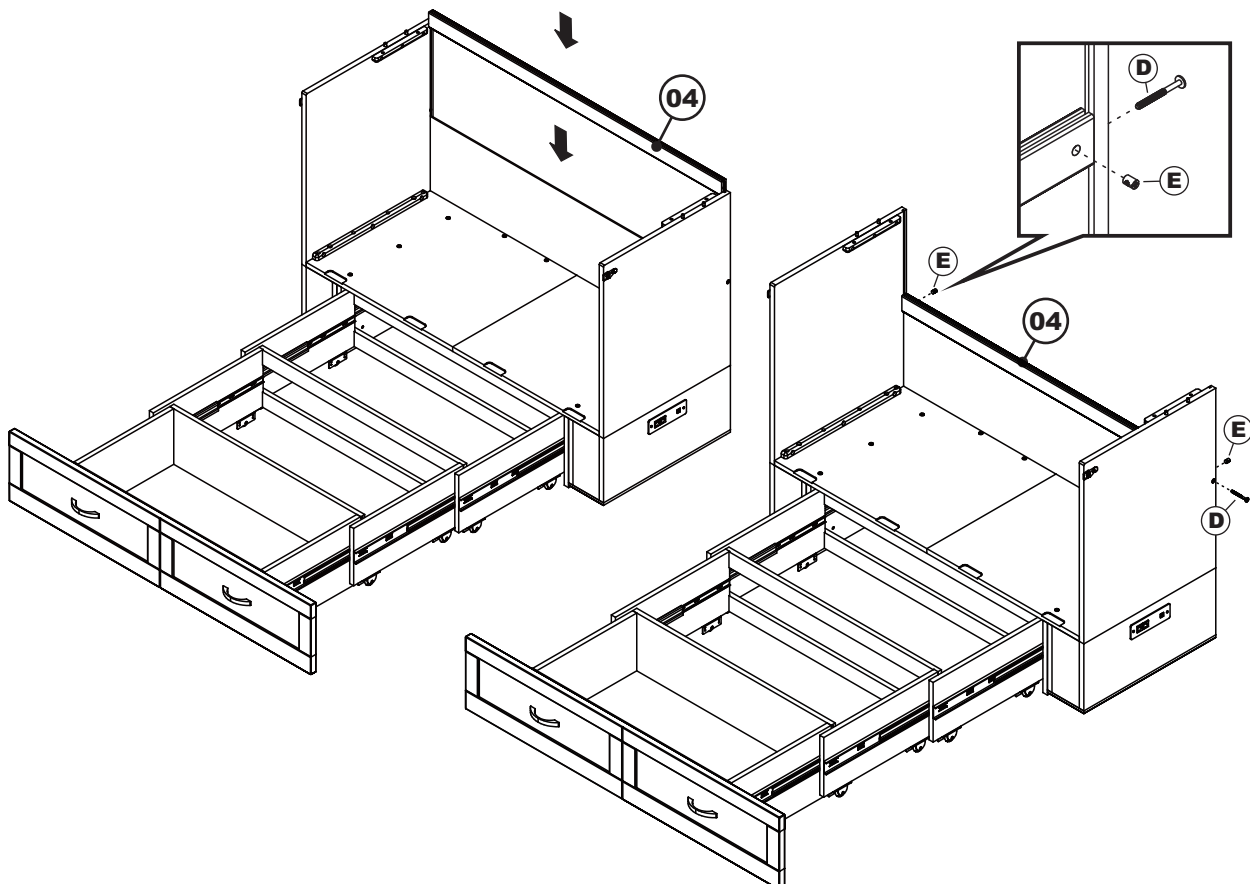
STEP 6

Guide the back panel (03) in carefully so that it won't jump out of its grooves. Be sure it fits fully into its groove at the top panel base. Install wood dowels (A) as shown below.



STEP 7

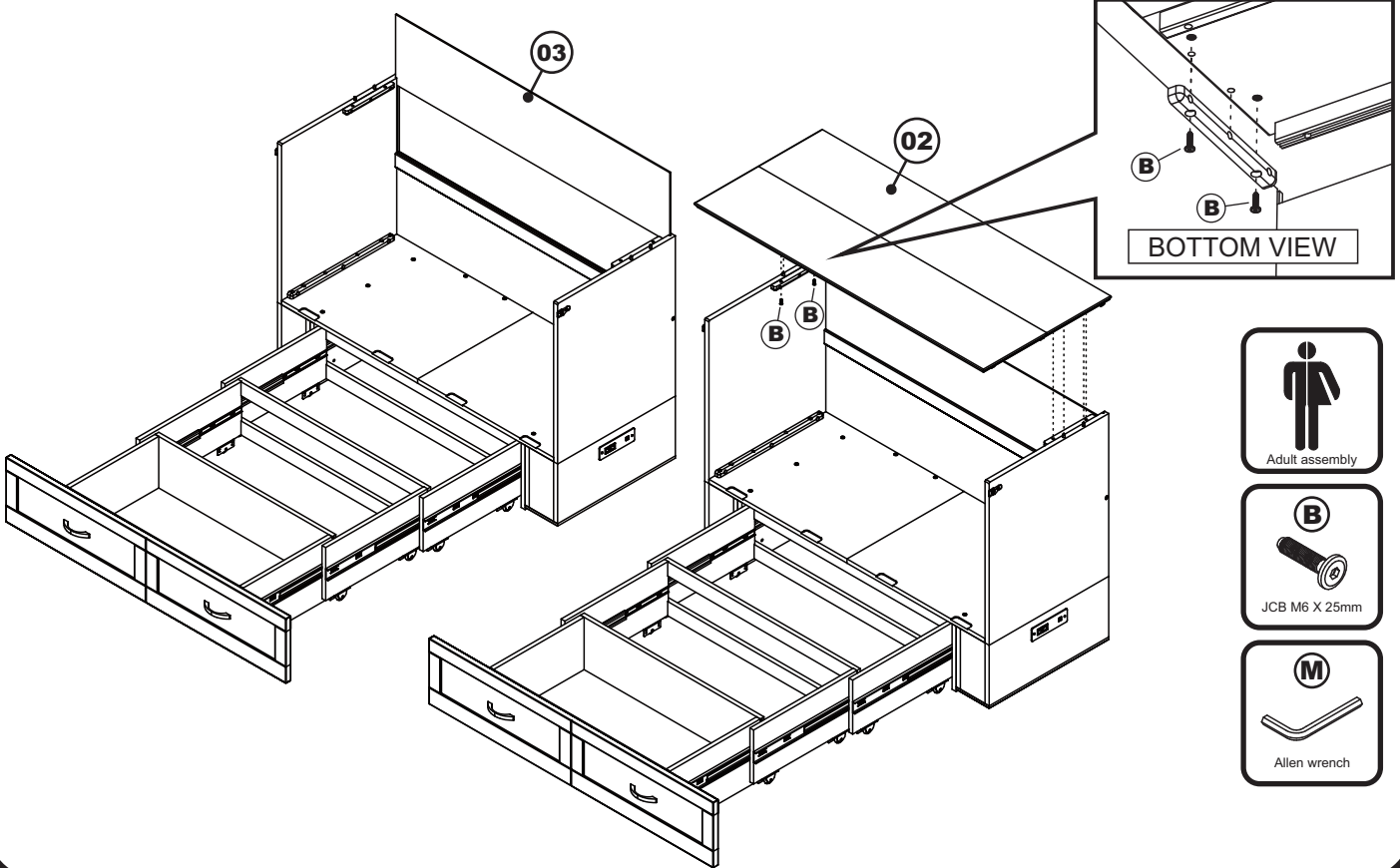
Guide the middle back rail (04) in carefully so that it won't jump out of its grooves. Using JCB (D) and barrel nut (E). Tighten with Allen wrench (M).



FULL

STEP 8

Guide the back panel (03) in carefully so that it won't jump out of its grooves. Be sure it fits fully into its groove at the middle back rail. Attach top panel (02) to cabinet assembly as shown below. Use JCB (B). Tighten with Allen wrench (M).

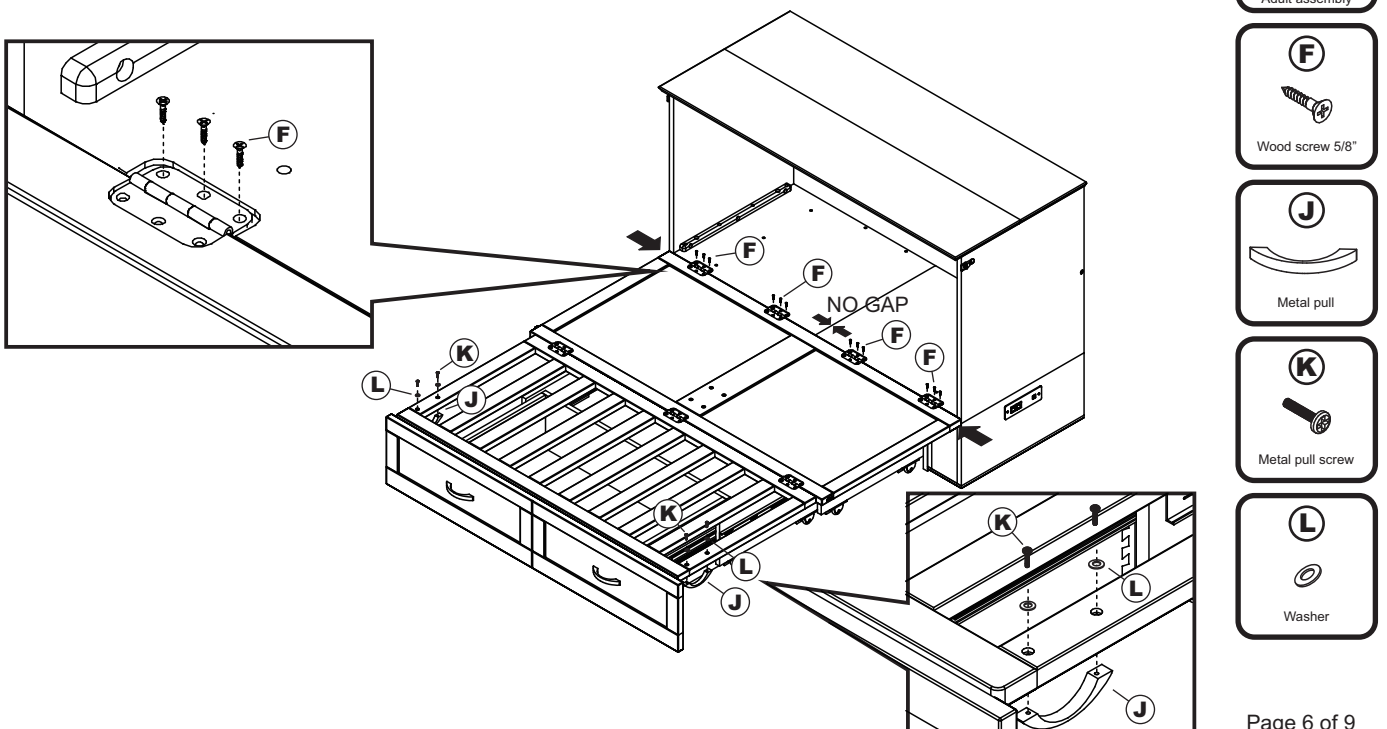


STEP 9

Lay the door down flat as shown below. Attach door hinge to drawer base using wood screw (F) and tighten with Phillips head screwdriver.

Note: Be sure to align door with side panels in this step.

Install metal pull (J) as shown below. Using metal pull screw (K) and washer (L) tighten with Phillips head screwdriver. (Customer supplied)

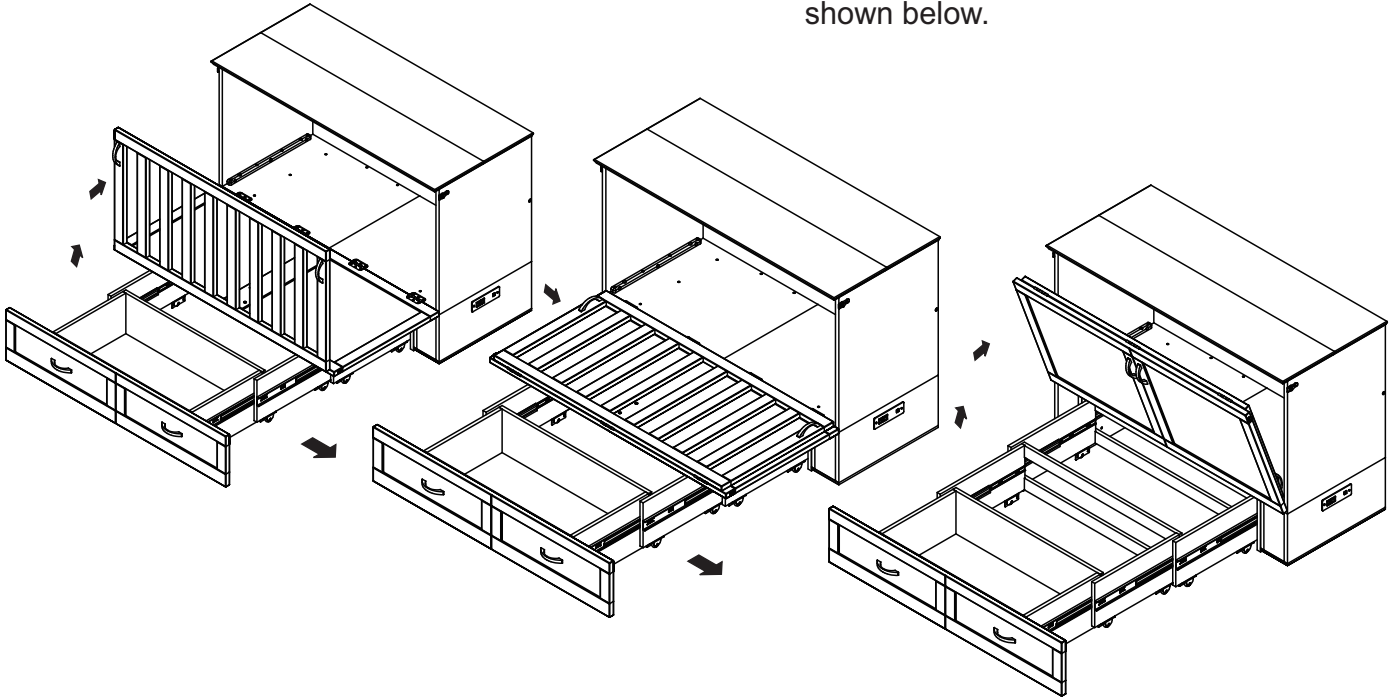


FULL

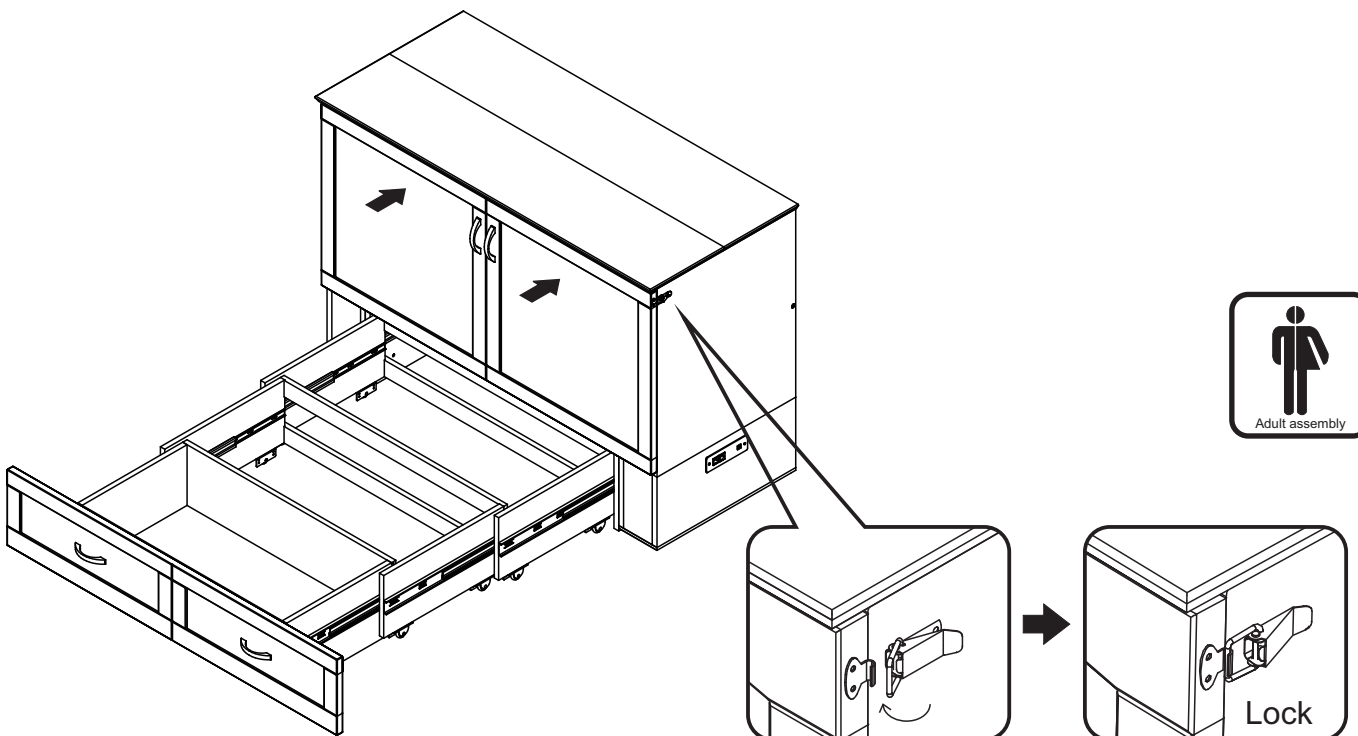
STEP 10

① Lift the door and fold as shown below.

② Lift the door and latch to side panel as shown below.



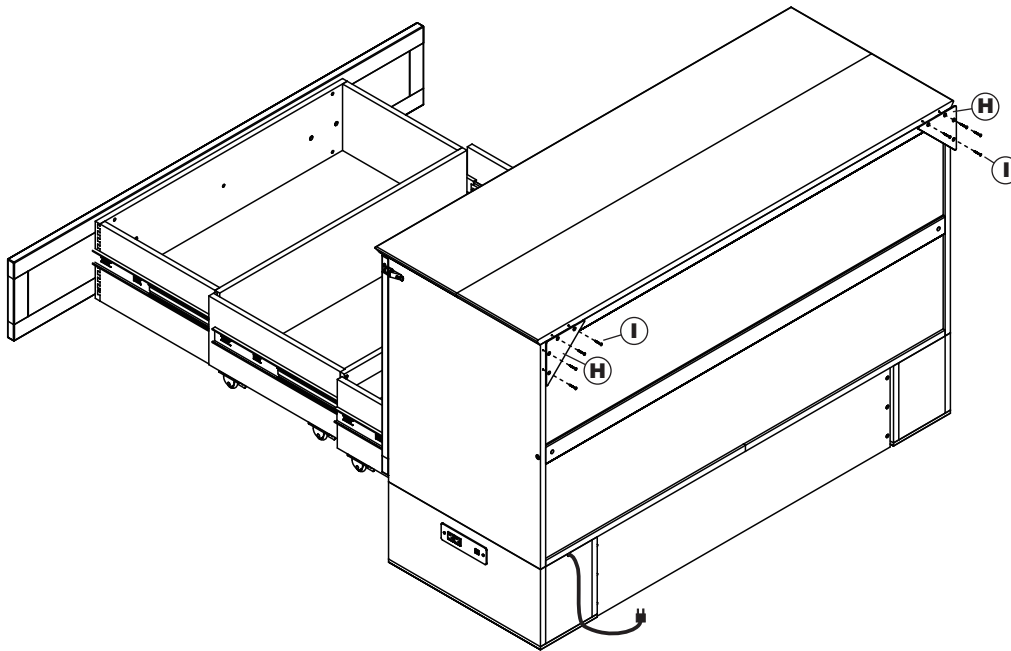
STEP 11 Push the door closed and latch both sides as shown below.



FULL

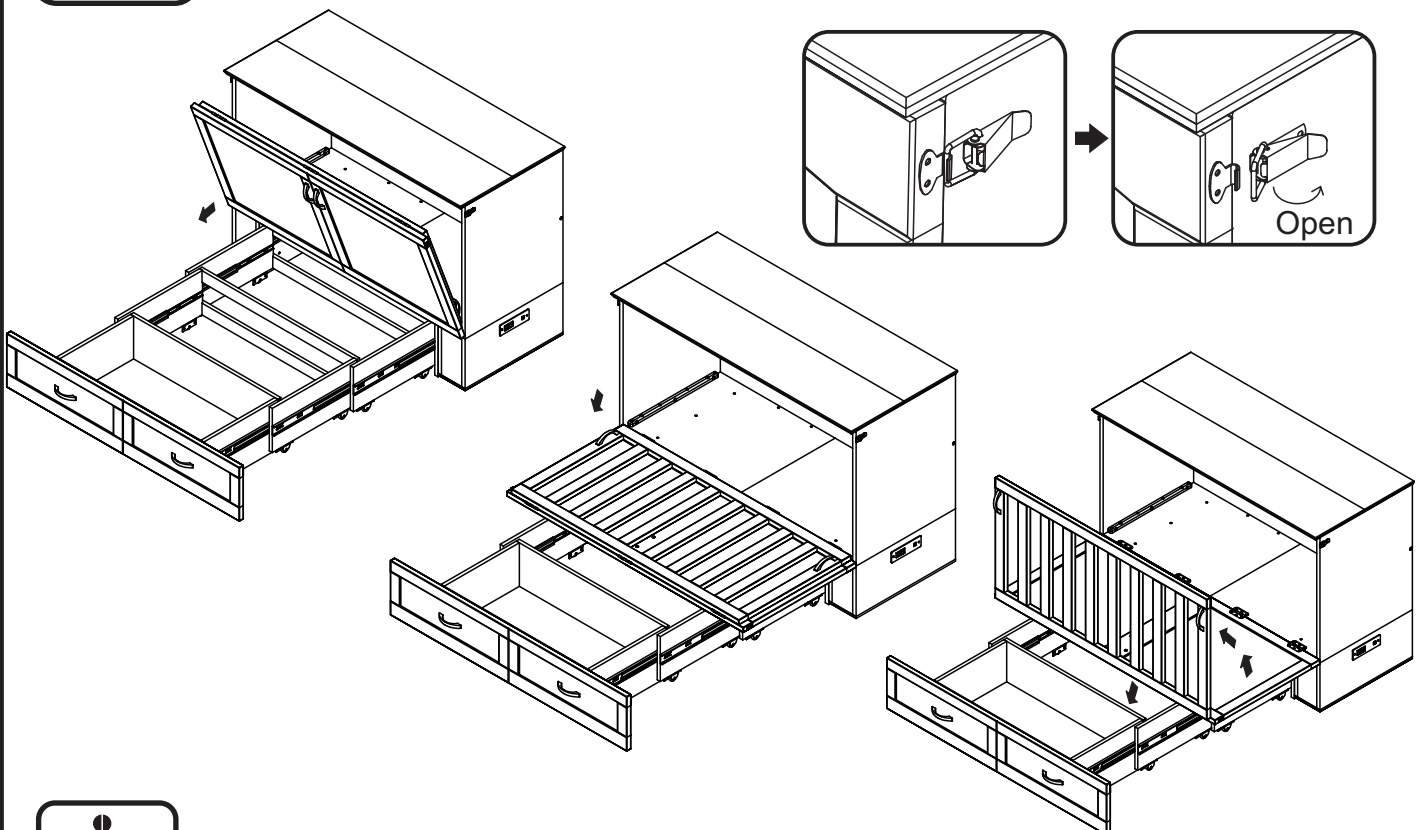
STEP 12

Attach triangle metal bracket (H) to the back of cabinet as shown below. Use wood screw (I) tighten with Phillips head screwdriver. (customer supplied).



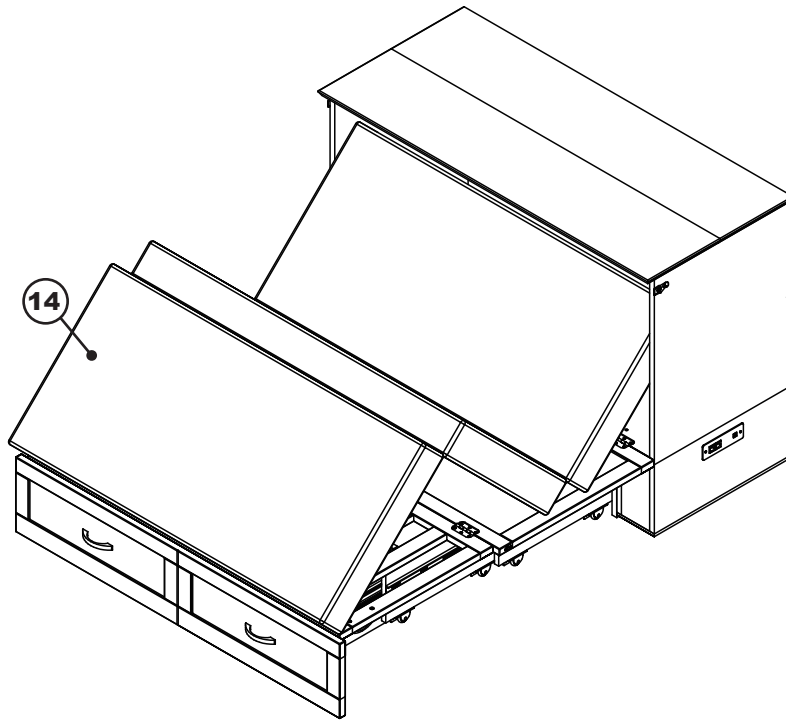
STEP 13

Pull the drawer out fully. Unlatch the door and open, folding down as shown.

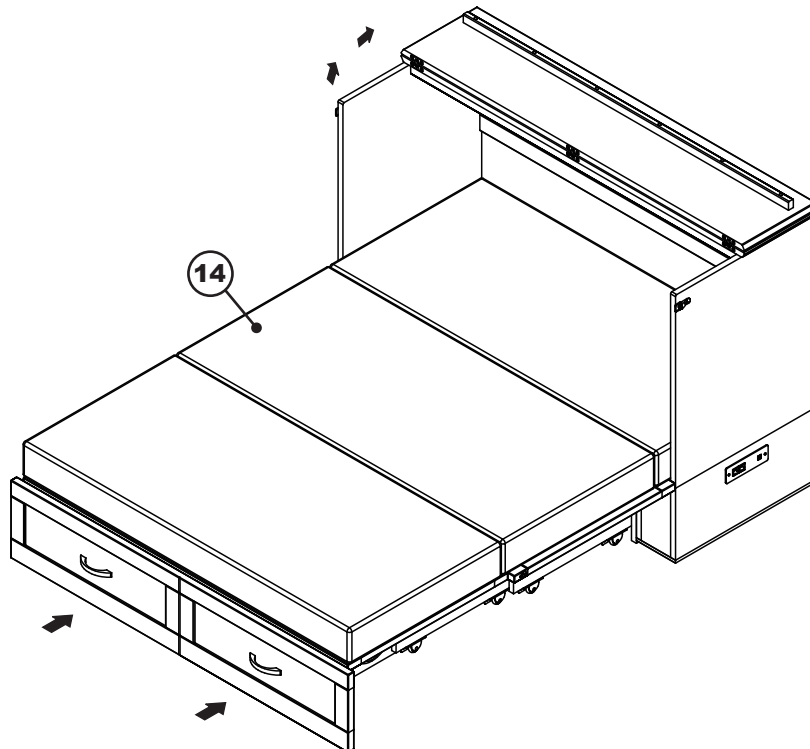


FULL

STEP 14 Install folding mattress (14) to the bed.



STEP 15 Open top panel and push drawer base in as shown below.



Congratulations!

Your Murphy bed is now ready for use.

We recommend that you recheck that all screws are tight, and that all parts are secure before use to ensure lasting Safety.