


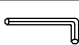



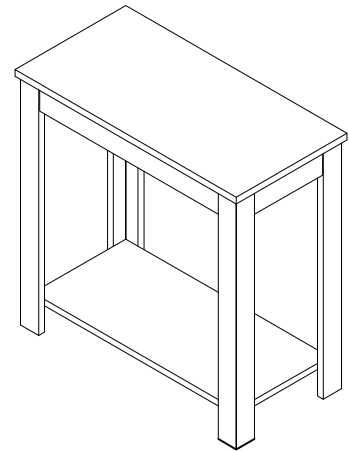
ASSEMBLY INSTRUCTIONS

INSTRUCCIONES

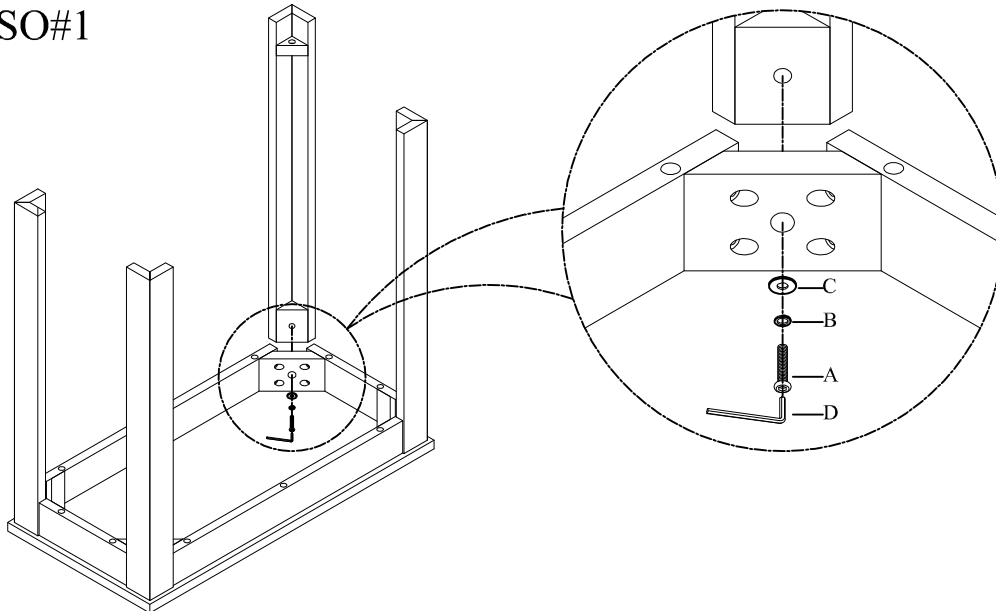
Do not tighten screws until completely Assembled

No Apretar Los Tornillos Hasta Armar Completamente

NO	HARDWARE LIST/ LISTA DESCRIPTION	Q'TY/ CANTIDAD
A	 $\phi 1/4" * 2"$	4pcs
B	 $\phi 1/4"$	4pcs
C	 $\phi 1/4" * 19mm$	4pcs
D	 4mm	1pc
E	 #8 * 1"	4pcs



STEP/PASO#1



STEP/PASO#2

