

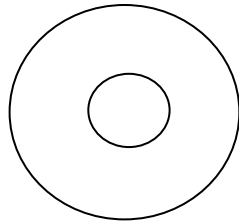
# ASSEMBLY INSTRUCTION FOR K/D SHADE

PLEASE READ AND SAVE THESE INSTRUCTIONS

## PARTS:



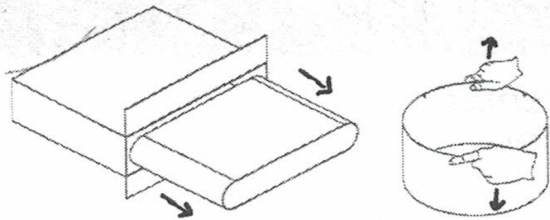
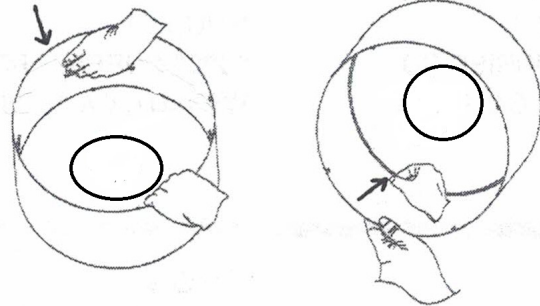
(A) SHADE



(B) LIGHT FILTER



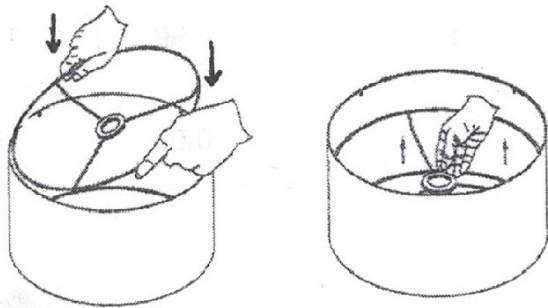
(C) UNO RING



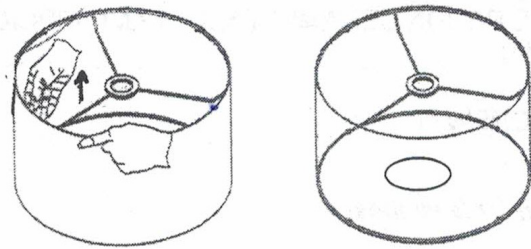
**STEP 1** Take the shade (A) out from the inner box and extend it.

Take out part (B) and part (C) put on a clean surface before assembly.

**STEP 2** Put the bottom light filter (B) into the shade (A) and fix the ring into the open end clips around the shade rim.

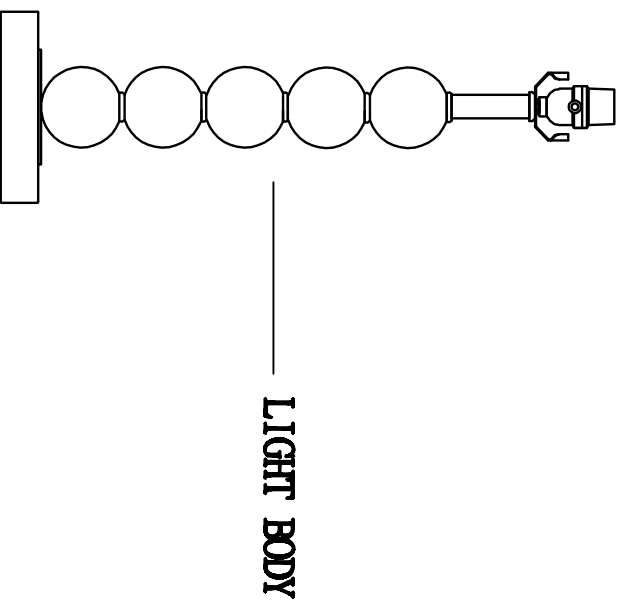
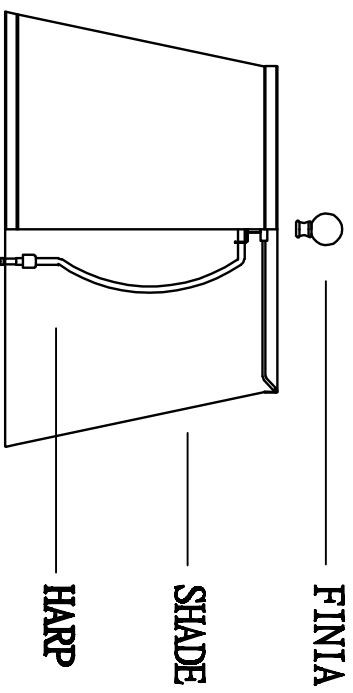


**STEP 3** Insert the UNO ring (C) into the shade (A) and pull the UNO ring (C) up to the right position.



**STEP 4** Fix the UNO ring (C) into the open end clips around the other end of the shade (A).

# ASSEMBLY INSTRUCTION



1. SQUEEZE THE OPENING OF THE HARP AND INSERT IT CAREFULLY INTO THE HORNS OF THE LIGHT BODY
2. PUT ON THE LIGHT SHADE AND AIM AT THE SCREW ON THE HARP AS SHOWN IN THE DIAGRAM
3. USE THE FINIAL AND SCREW THE LIGHT SHADE AND THE HARP TOGETHER