








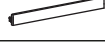

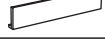





ASSEMBLY INSTRUCTION









ITEM : 5332DV-ARM & 5332DV-BACK / 5332BK-ARM & 5332BK-BACK

(BOX 1) 5332DV-ARM / 5332BK-ARM

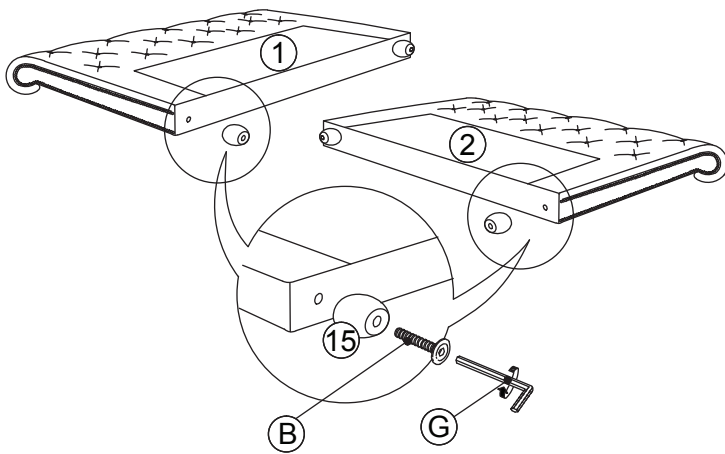
(BOX 2) 5332DV-BACK / 5332BK-BACK

| NO | PARTLIST | QTY |
|----|---|-------|
| 1 |  SIDE PANEL (L) | 1PC |
| 2 |  SIDE PANEL (R) | 1PC |
| 3 |  6PCS ROLL SLAT | 2SETS |
| 4 |  SIDE RAIL TRUNDLE | 2PCS |
| 5 |  5PCS ROLL SLAT | 2SETS |

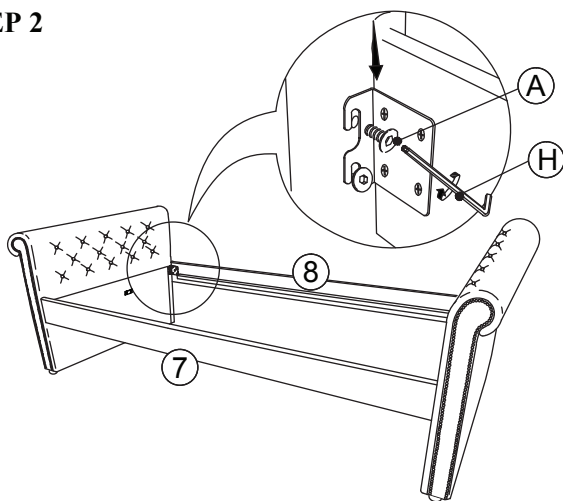
| NO | PARTLIST | QTY |
|----|---|------|
| 6 |  BACK REST | 1PC |
| 7 |  FRONT RAIL | 1PC |
| 8 |  BACK RAIL | 1PC |
| 9 |  CENTER SUPPORT | 1PC |
| 10 |  FRONT RAIL TRUNDLE | 1PC |
| 11 |  BACK RAIL TRUNDLE | 1PC |
| 12 |  SLAT SUPPORT | 3PCS |
| 13 |  CASTOR | 6PCS |
| 14 |  TRUNDLE CENTER SUPPORT | 1PC |
| 15 |  LEG | 4PCS |

| NO | HARDWARE | QTY |
|----|--|-------|
| A |  JCBB SCREW M8 x 20mm | 16PCS |
| B |  JCBC SCREW M6 x 50mm | 4PCS |
| C |  JCBC SCREW + WASHER M6 x 50mm | 4PCS |
| D |  JCBC SCREW + WASHER M6 x 50mm | 12PCS |
| E |  CHIPBOARD SCREW M4 x 32mm | 29PCS |
| F |  CHIPBOARD SCREW M4 x 16mm | 26PCS |
| G |  L - KEY M4 x 100mm | 1PC |
| H |  L - KEY M5 x 65mm | 1PC |

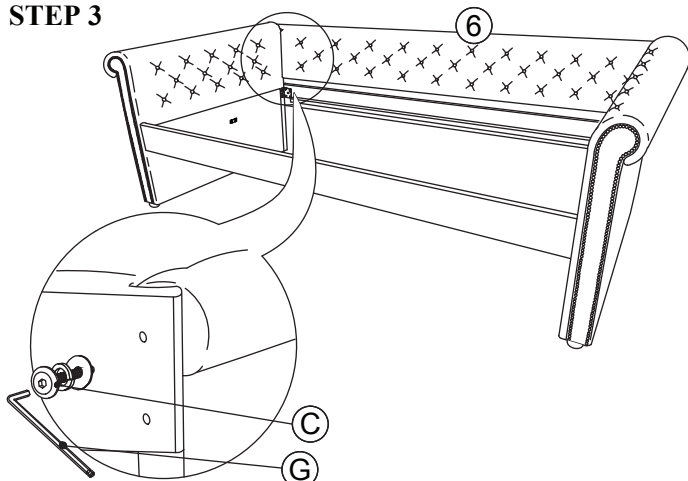
STEP 1



STEP 2

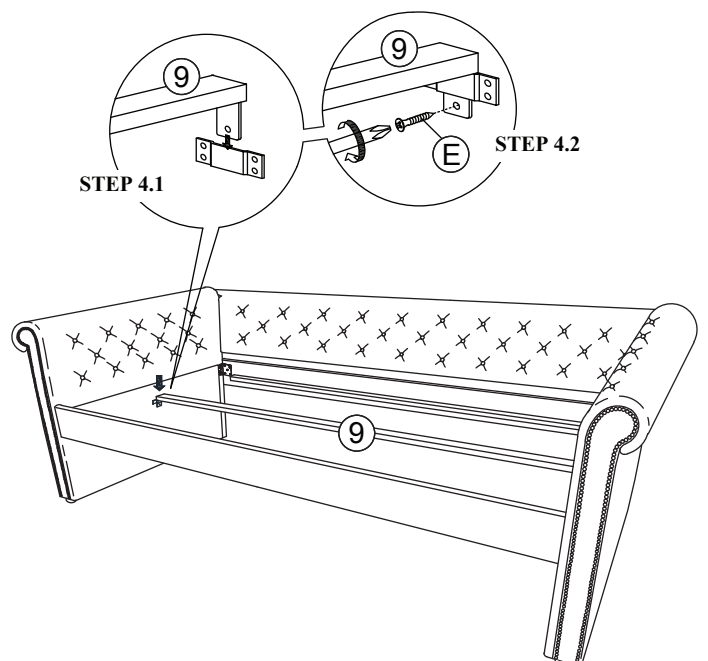


STEP 3



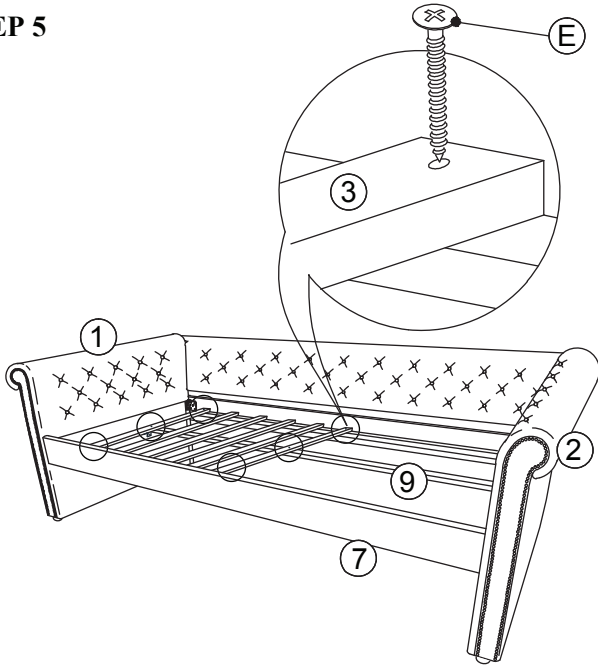
NOTE : THE HARDWARE PACK IN BOX 2

STEP 4

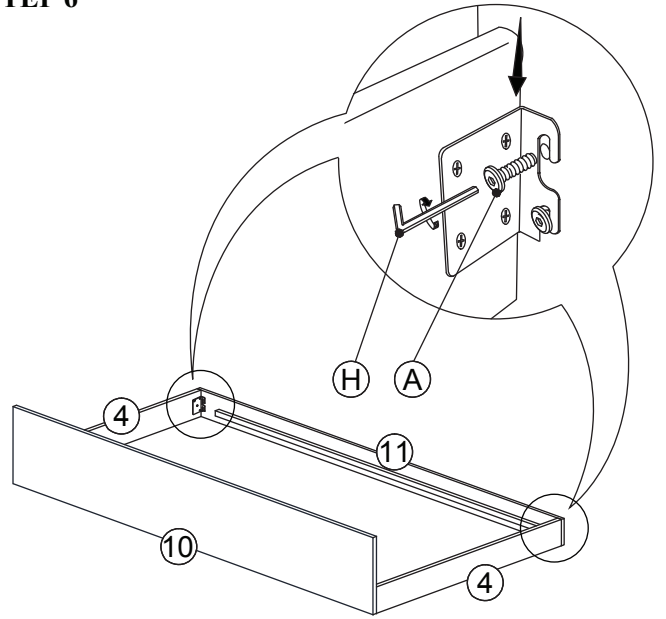


ASSEMBLY INSTRUCTION

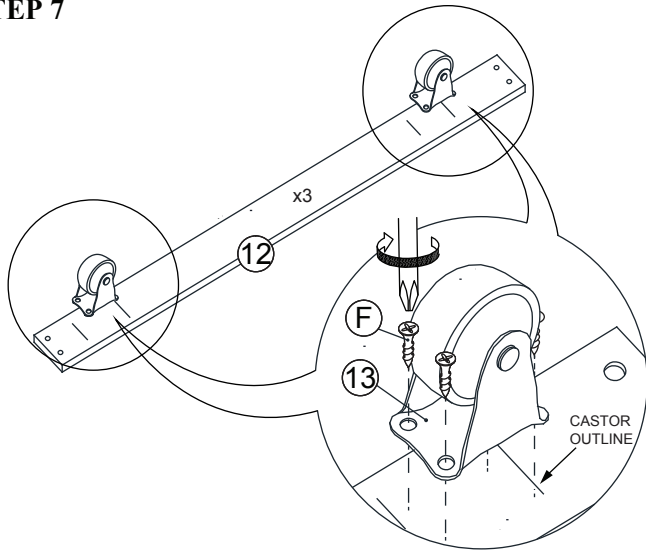
STEP 5



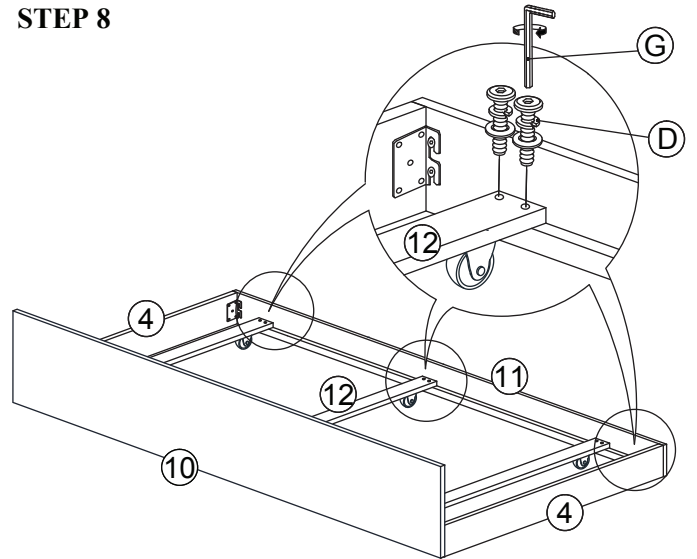
STEP 6



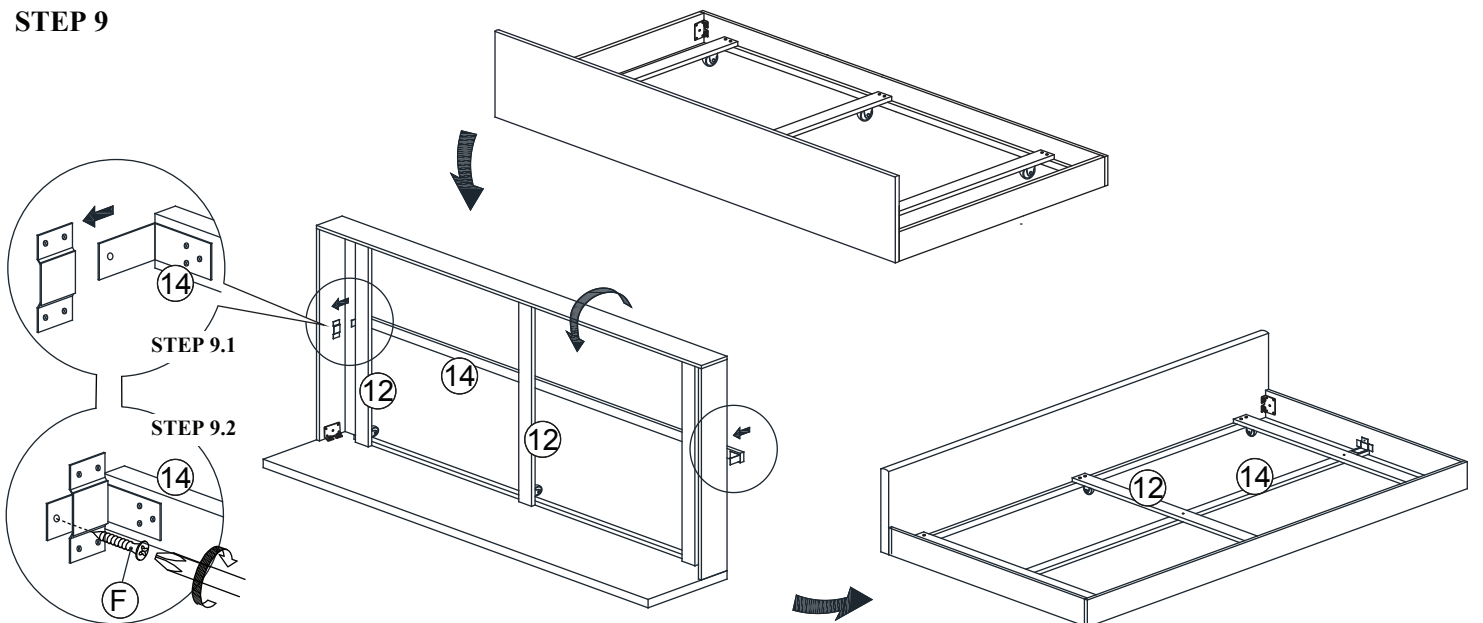
STEP 7



STEP 8

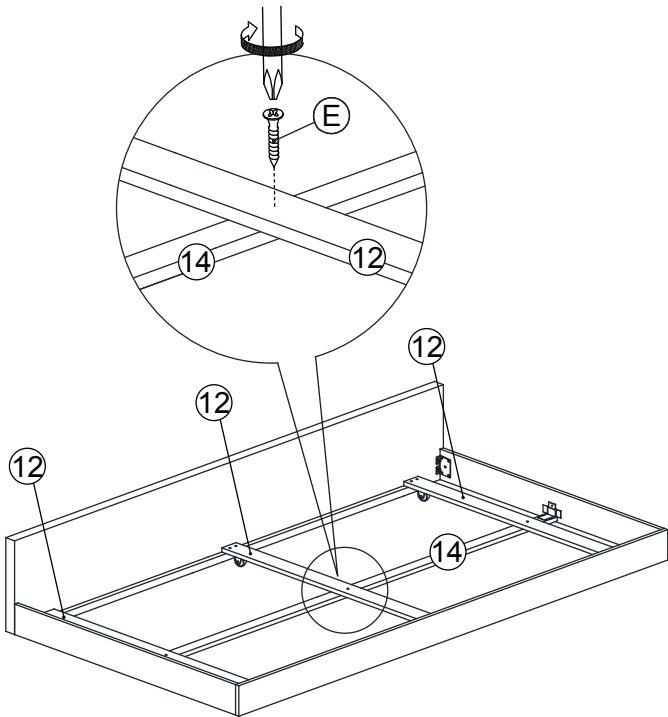


STEP 9

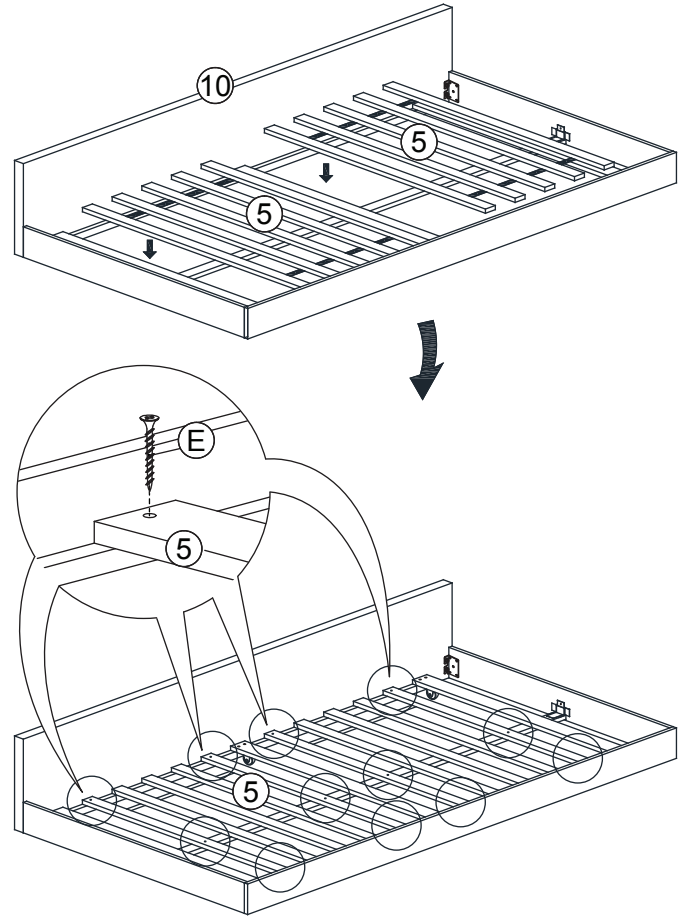


ASSEMBLY INSTRUCTION

STEP 10

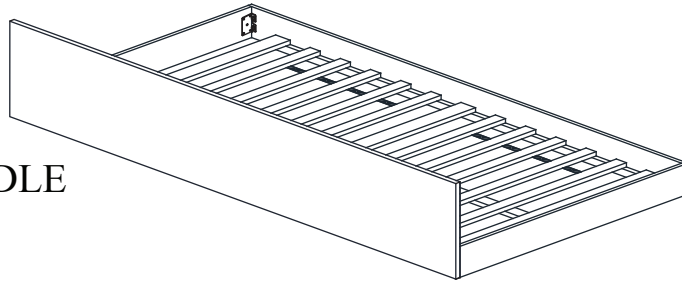


STEP 11



STEP 12

TRUNDLE



FULL SET

