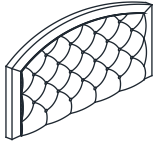


ASSEMBLY INSTRUCTION

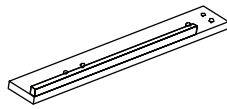
ITEM : 5269PUSL-F / 5269PUPK-F / 5269PUGD-F

1. HEADBOARD
CUSHION



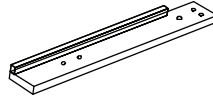
x 1PC

2. HEADBOARD
LEG (LEFT)



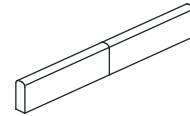
x 1PC

3. HEADBOARD
LEG (RIGHT)



x 1PC

4. FOOTBOARD
CUSHION



x 1PC

5. FOOTBOARD
LEG



x 2PCS

6. SIDE RAIL



x 2PCS

7. SIDE RAIL



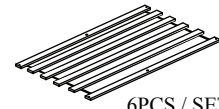
x 2PCS

8. SIDE RAIL
SUPPORT LEG



x 2PCS

9. ROLL SLAT



6PCS / SET

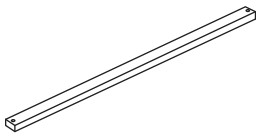
x 2 SET

10. SUPPORT LEG
with adjustable feet



x 4PCS

11. CENTER SUPPORT
RAIL



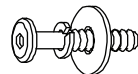
x 2PCS

A. JCBB SCREW
M8 x 20mm



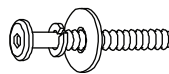
x 8PCS

B. JCBB SCREW
M6 x 25mm
(with washer)



x 8PCS

C. JCBB SCREW
M6 x 35mm
(with washer)



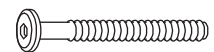
x 6PCS

D. JCBB SCREW
M6 x 50mm



x 4PCS

E. JCBB SCREW
M6 x 70mm



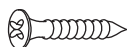
x 2PCS

F. WOOD DOWEL
M8 x 30mm



x 2PCS

G. SCREW
M4 x 32mm



x 8PCS

H. L-KEY
M5 x 65mm



x 1PC

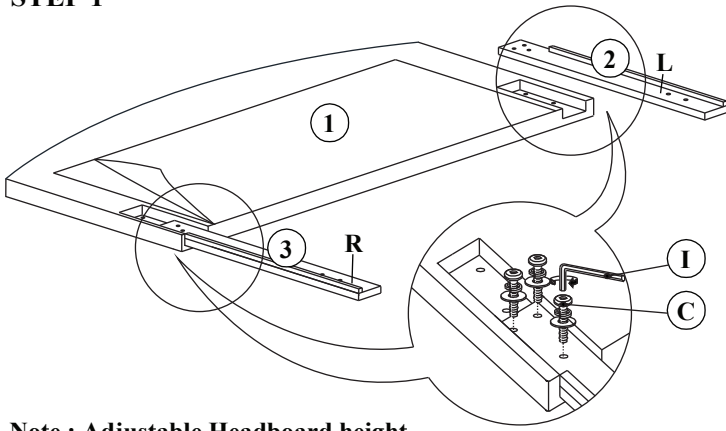
I. L-KEY
M4 x 100mm



x 1PC

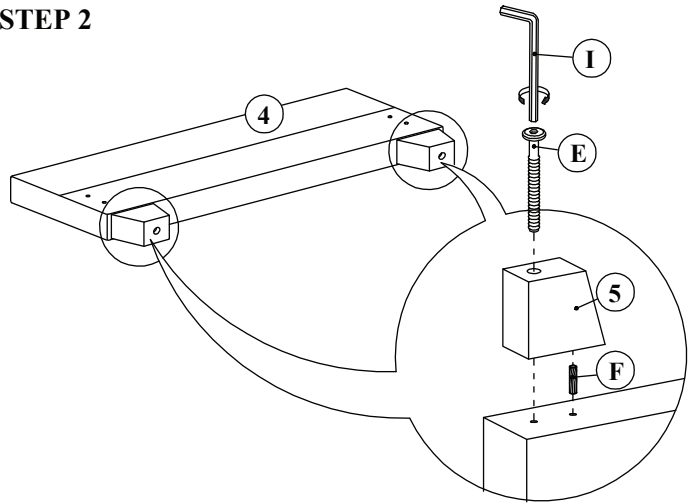
ASSEMBLY INSTRUCTION

STEP 1

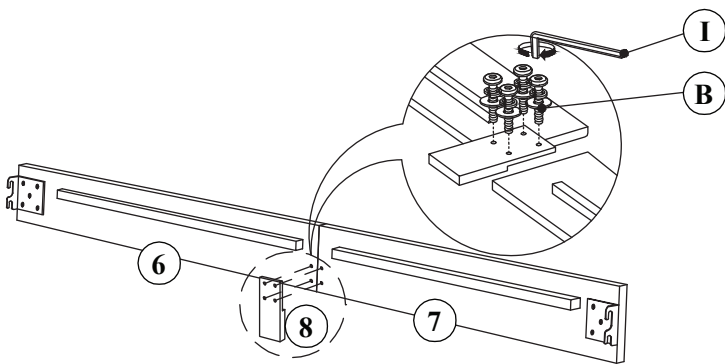


Note : Adjustable Headboard height.
Adjust the position to fix your mattress height.

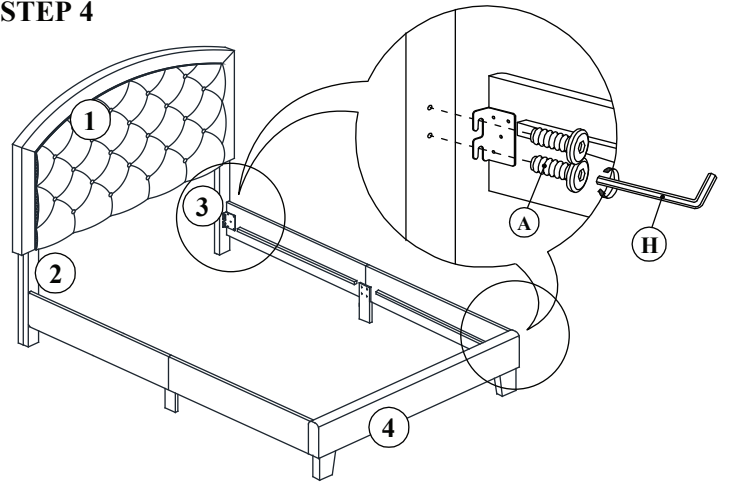
STEP 2



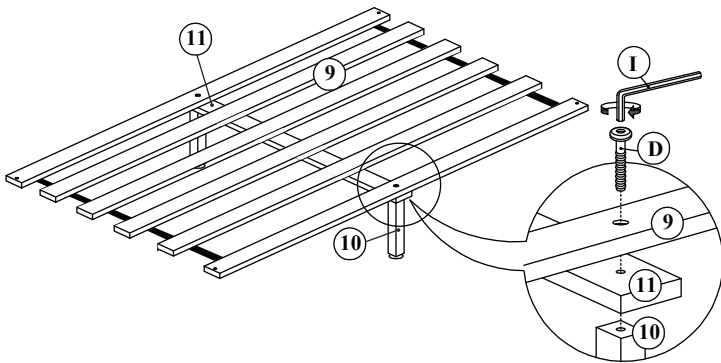
STEP 3



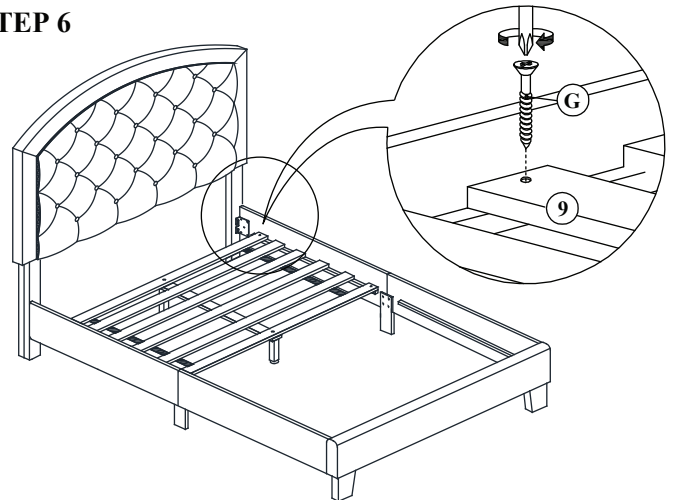
STEP 4



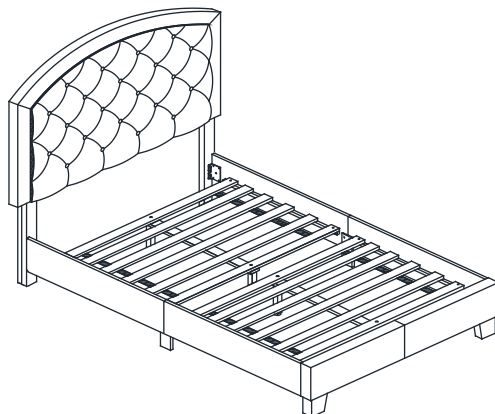
STEP 5



STEP 6



STEP 7



ASSEMBLY
COMPLETE