


# ASSEMBLY INSTRUCTION






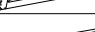
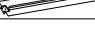
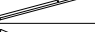
MODEL : 5265 QUEEN BED  
 (BOX 1) 5265GY-Q-HB / 5265KH-Q-HB /  
 5265BK-Q-HB / 5265RB-Q-HB/  
 5265CP-Q-HB










QUEEN HEADBOARD

NO	PARTLIST	QTY
1	 HEADBOARD	1 PC

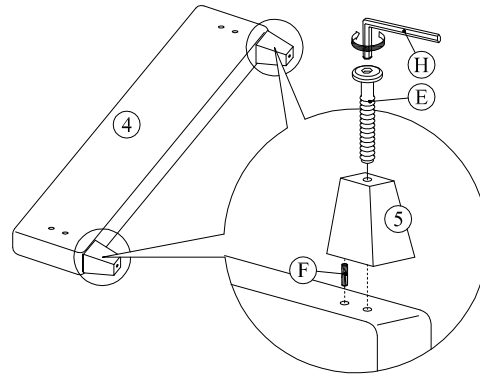
(BOX 2) 5265GY-Q-FRW / 5265KH-Q-FRW /  
 5265BK-Q-FRW / 5265RB-Q-FRW /  
 5265CP-Q-FRW

QUEEN FOOTBOARD / RAIL / WING

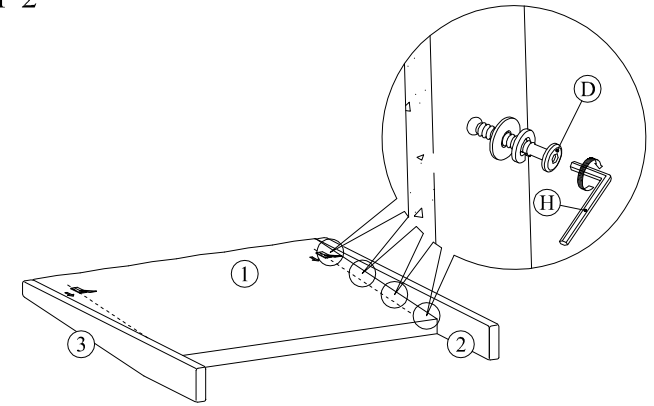
2	 HEADBOARD LEFT WING	1 PC
3	 HEADBOARD RIGHT WING	1 PC
4	 FOOTBOARD	1 PC
5	 FOOTBOARD LEGS	2 PCS
6	 SIDE RAIL	1 PC
7	 SIDE RAIL	1 PC
8	 SLATS	4 PCS
9	 SLAT SUPPORT WITH ADJUSTABLE FEET	4 PCS

NO	HARDWARE LIST	QTY
A	 JCB SCREWS M8 X 20mm	4 PCS
B	 JCB SCREWS M8 X 50mm	4 PCS
C	 JCB SCREWS M6 X 35mm	4 PCS
D	 JCB SCREWS M6 X 50mm	8 PCS
E	 JCB SCREWS M6 X 70mm	2 PCS
F	 WOOD DOWEL M8 x 30mm	2 PCS
G	 SCREWS M4 X 32mm	8 PCS
H	 L KEY M4 X 100mm	1 PC
I	 L KEY M5 X 65mm	1 PC

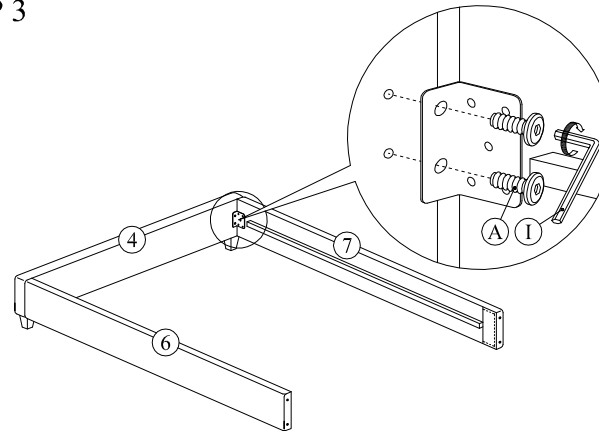
## STEP 1



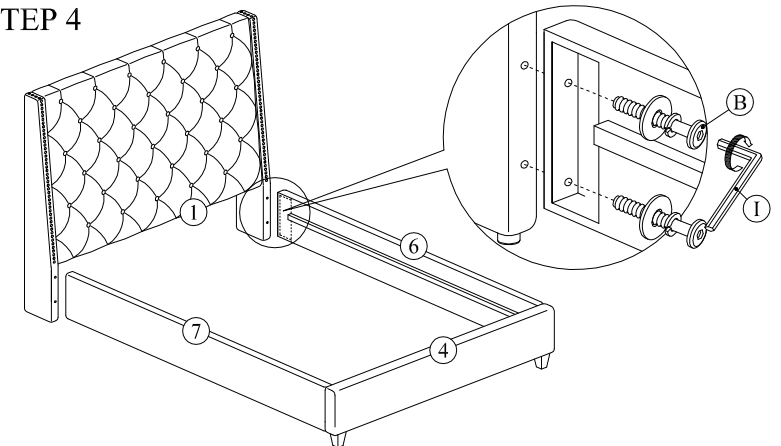
## STEP 2



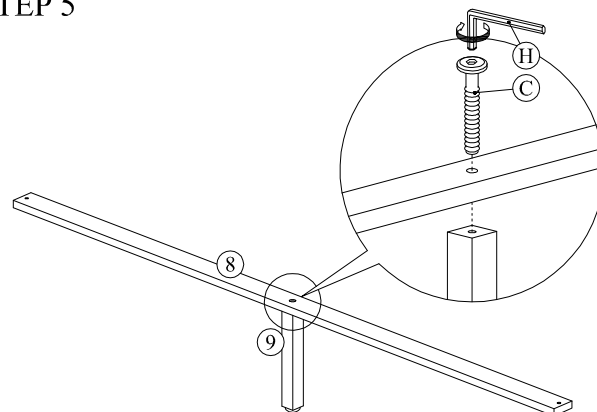
## STEP 3



## STEP 4



## STEP 5



## STEP 6

