











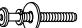







# ASSEMBLY INSTRUCTION

MODEL : 5265 KING BED / CAL KING BED  
 (BOX 1) 5265GY-K-HB / 5265KH-K-HB / 5265BK-K-HB /  
 5265RB-K-HB / 5265GY-CK-HB / 5265KH-CK-HB /  
 5265BK-CK-HB / 5265RB-CK-HB / 5265CP-K-HB /  
 5265CP-CK-HB  
 KING / CAL KING HEADBOARD

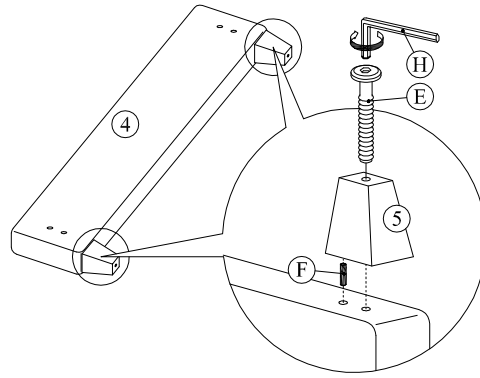
NO	PARTLIST	QTY
1	 HEADBOARD	1 PC

(BOX 2) 5265GY-K-FRW / 5265KH-K-FRW /  
 5265BK-K-FRW / 5265RB-K-FRW / 5265GY-CK-FRW /  
 5265KH-CK-FRW / 5265BK-CK-FRW / 5265RB-CK-FRW /  
 5265CP-K-FRW / 5265CP-CK-FRW

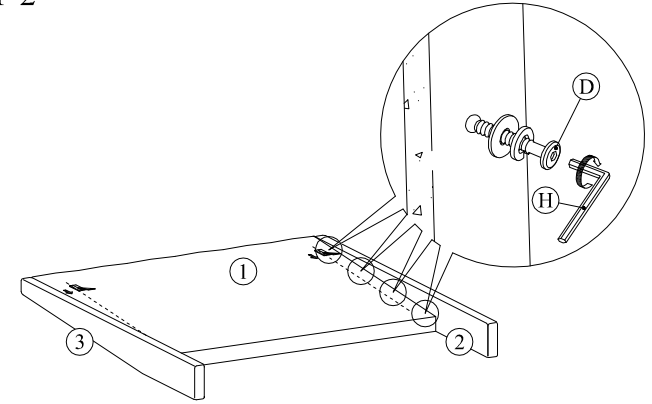
NO	PARTLIST	QTY
2	 HEADBOARD LEFT WING	1 PC
3	 HEADBOARD RIGHT WING	1 PC
4	 FOOTBOARD	1 PC
5	 FOOTBOARD LEGS	2 PCS
6	 SIDE RAIL	1 PC
7	 SIDE RAIL	1 PC
8	 SLATS	4 PCS
9	 SLAT SUPPORT WITH ADJUSTABLE FEET	8 PCS

NO	HARDWARE LIST	QTY
A	 JCBB SCREWS M8 X 20mm	4 PCS
B	 JCBB SCREWS M8 X 50mm	4 PCS
C	 JCBC SCREWS M6 X 35mm	8 PCS
D	 JCBC SCREWS M6 X 50mm	8 PCS
E	 JCBC SCREWS M6 X 70mm	2 PCS
F	 WOOD DOWEL M8 x 30mm	2 PCS
G	 SCREWS M4 X 32mm	8 PCS
H	 L KEY M4 X 100mm	1 PC
I	 L KEY M5 X 65mm	1 PC

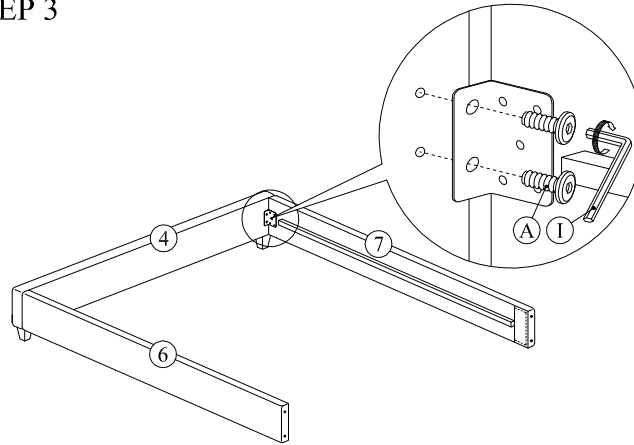
## STEP 1



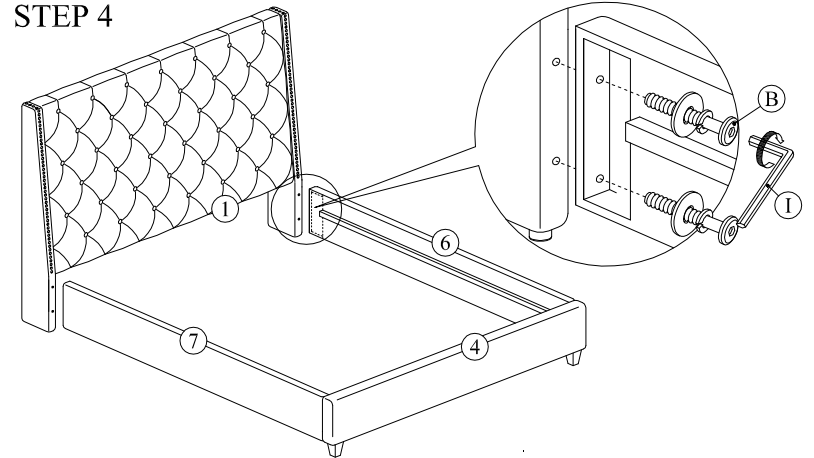
## STEP 2



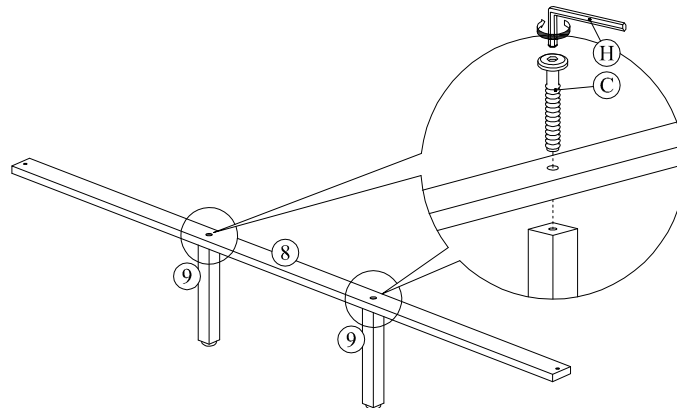
## STEP 3



## STEP 4



## STEP 5



## STEP 6

