

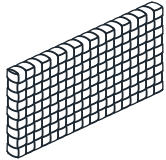
ASSEMBLY INSTRUCTION

ITEM : 5263TP-Q-HBFB / 5263TP-KQ-RAIL

PART LIST

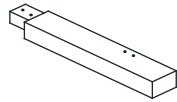
BOX 1 : BOX OF HEADBOARD/FOOTBOARD

1. HEADBOARD
CUSHION



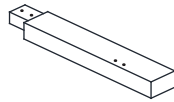
x 1PC

2. HEADBOARD
LEG (LEFT)



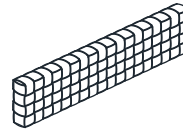
x 1PC

3. HEADBOARD
LEG (RIGHT)



x 1PC

4. FOOTBOARD
CUSHION



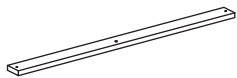
x 1PC

5. FOOTBOARD
LEG



x 2PCS

6. SLAT



x 4PCS

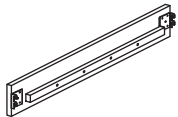
7. SUPPORT LEG
with adjustable feet



x 4PCS

BOX 2 : BOX OF SIDE RAIL

8. SIDE RAIL
(L/R)



x 2PCS

HARDWARE LIST

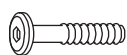
BOX 1 : BOX OF HEADBOARD/FOOTBOARD

A. JCBB SCREW
M8 x 20mm



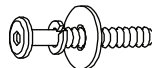
x 8PCS

B. JCBC SCREW
M6 x 35mm



x 4PCS

C. JCBC SCREW
M6 x 40mm
(with washer)



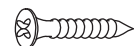
x 6PCS

D. WOOD DOWEL
M8 x 30mm



x 2PCS

E. SCREW
M4 x 32mm



x 8PCS

F. L-KEY
M4 x 100mm



x 1PC

G. L-KEY
M5 x 65mm

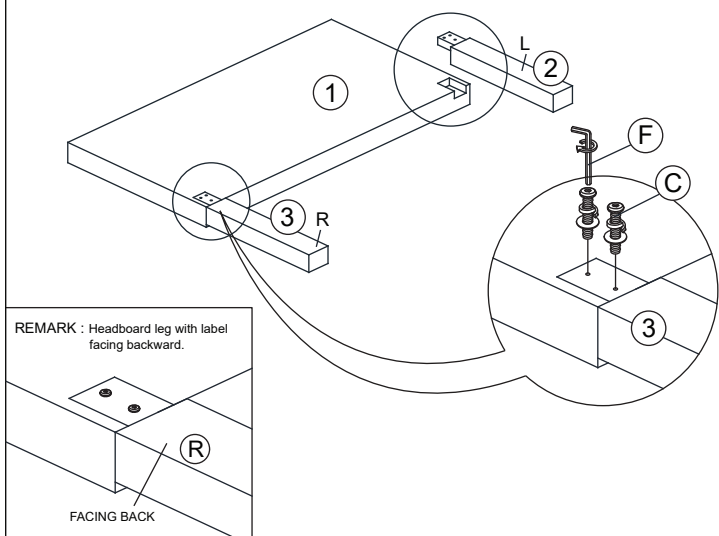


x 1PC

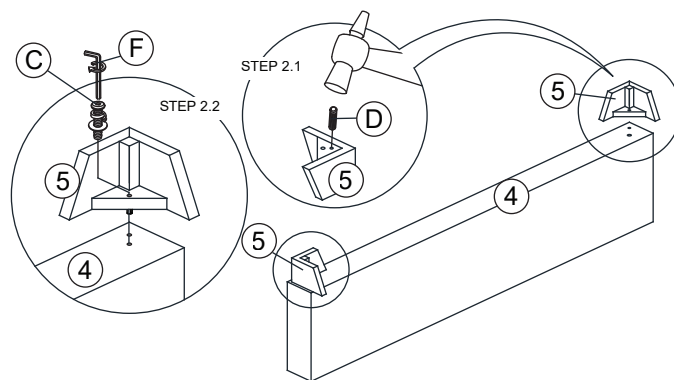
THE HARDWARE IS LOCATED IN THE PACKING ITEM

ASSEMBLY INSTRUCTION

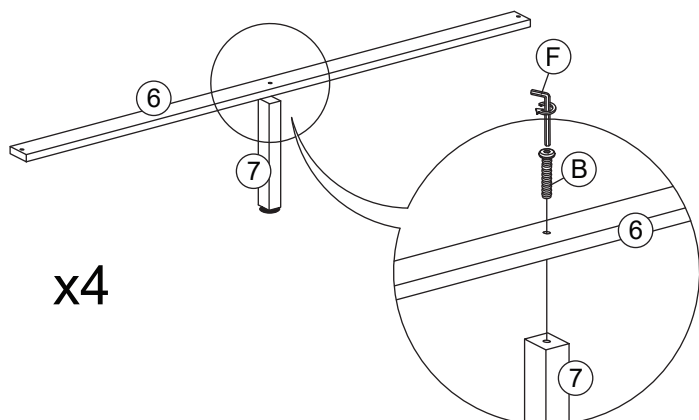
STEP 1



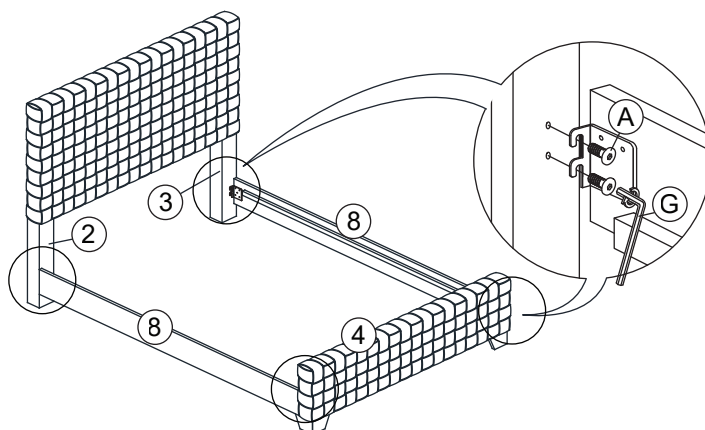
STEP 2



STEP 3

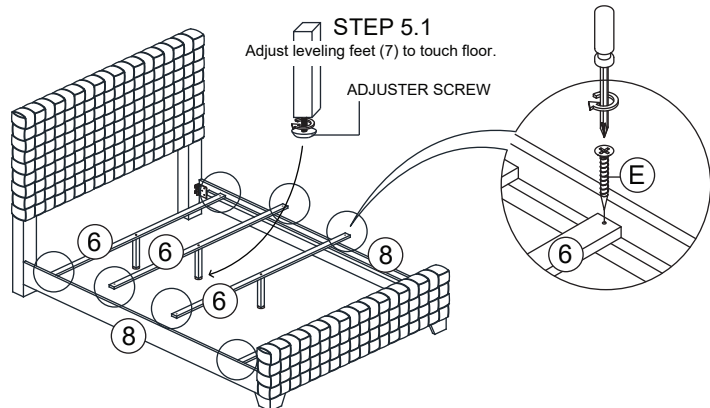


STEP 4

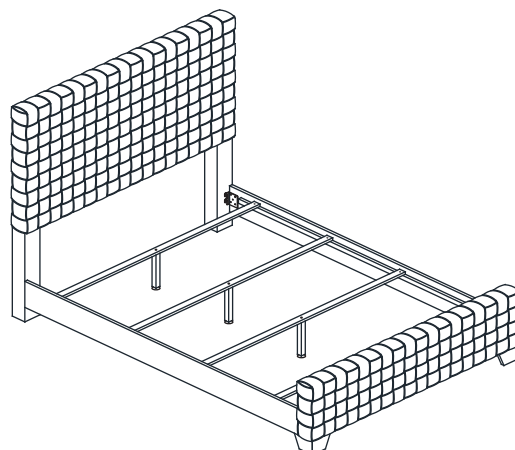


STEP 5

****Screwdriver is not provided**



STEP 6



ASSEMBLY COMPLETE