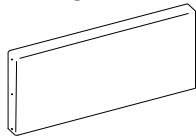


# ASSEMBLY INSTRUCTIONS

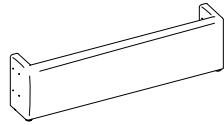
## MODEL : 5260WH-Q-HBFB/5260WH-KQ-RAIL

### BOX 1: BOX OF HEADBOARD/FOOTBOARD PART LIST



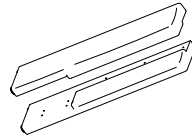
Head Board

**A** X 1 Piece



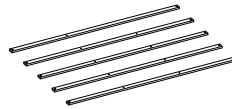
Foot Board

**B** X 1 Piece



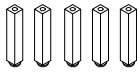
Headboard Leg  
Right & Left

**C** X 2 Pieces



Slat

**D** X 5 Pieces



Slat Support  
With Adjuster

**E** X 5 Pieces

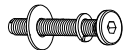
### BOX 2: BOX OF SIDE RAIL PART LIST



Side Rail  
Right & Left

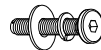
**F** X 2 Pieces

### BOX 1: BOX OF HEADBOARD/FOOTBOARD HARDWARE LIST



JCBB M8 x 80 &  
Spring & Flat Washer

**1** X 16 Pieces



JCBB M8 x 50 &  
Spring & Flat Washer

**2** X 6 Pieces



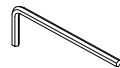
JCBC M6 x 30

**3** X 5 Pieces



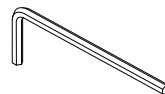
CSK M4 x 28

**4** X 10 Pieces



M4 Allen Key

**5** X 1 Piece

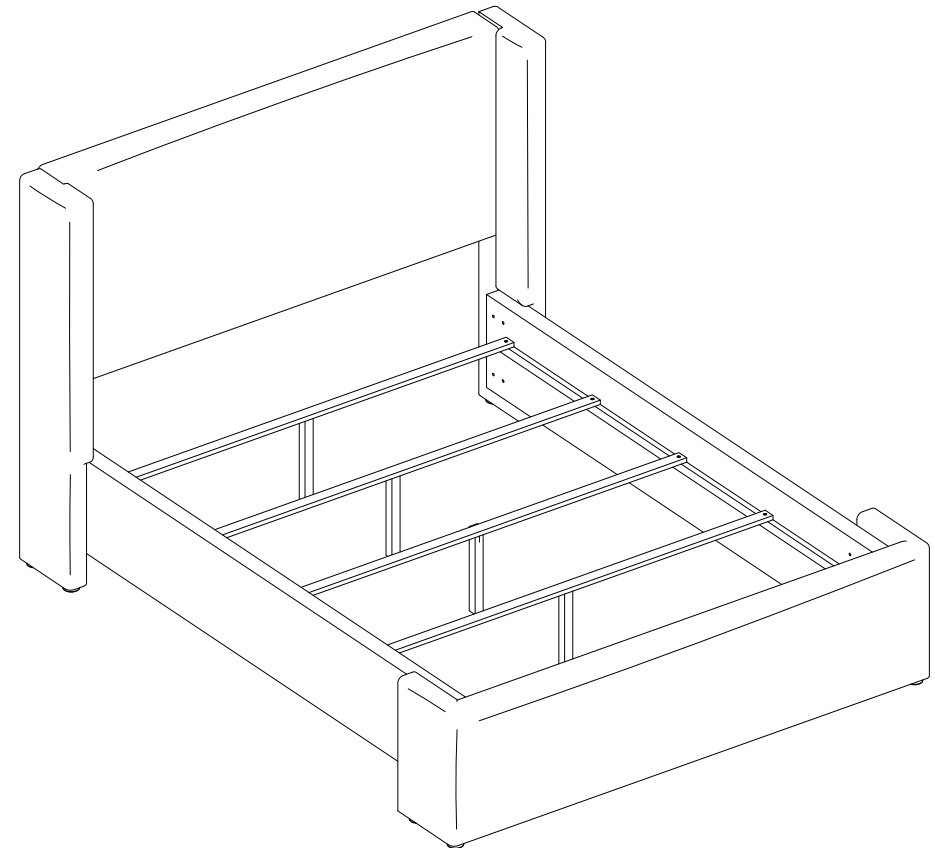


M5 Allen Key

**6** X 1 Piece

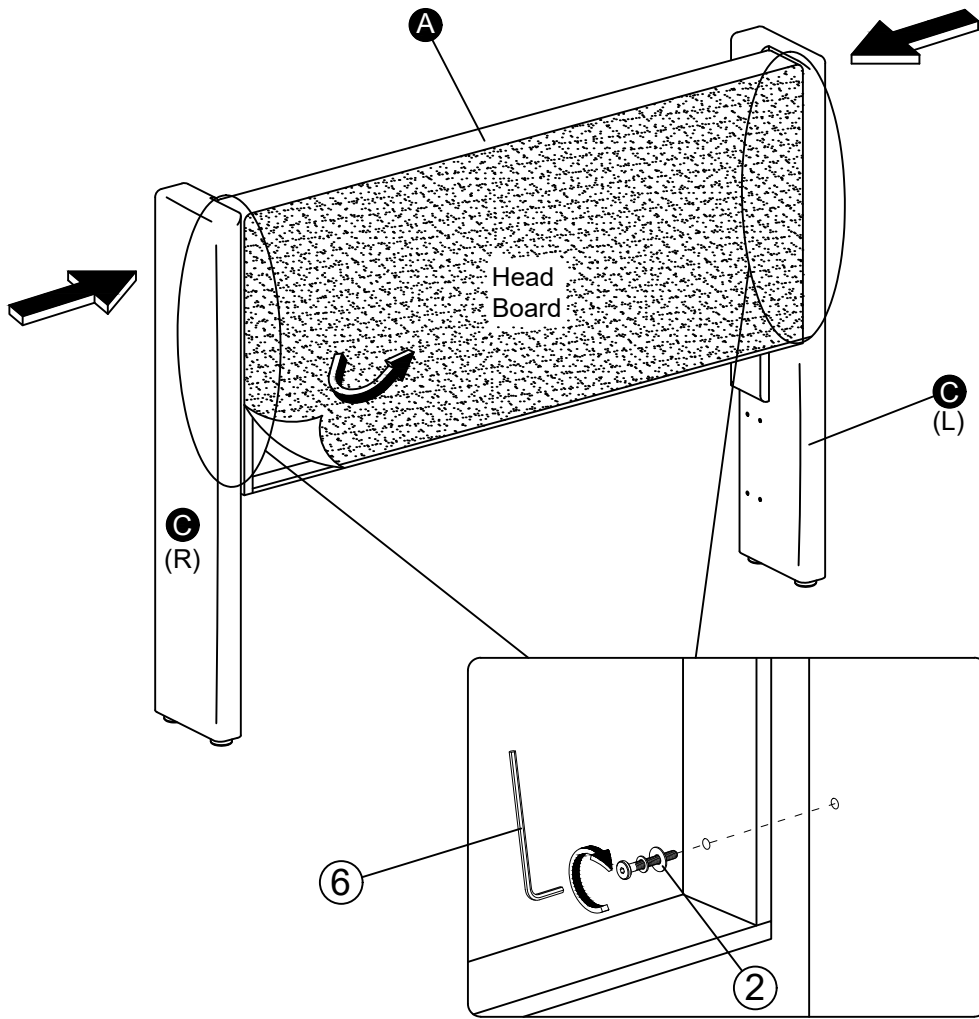


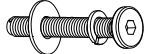
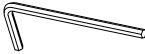
2 - Persons  
Recommended



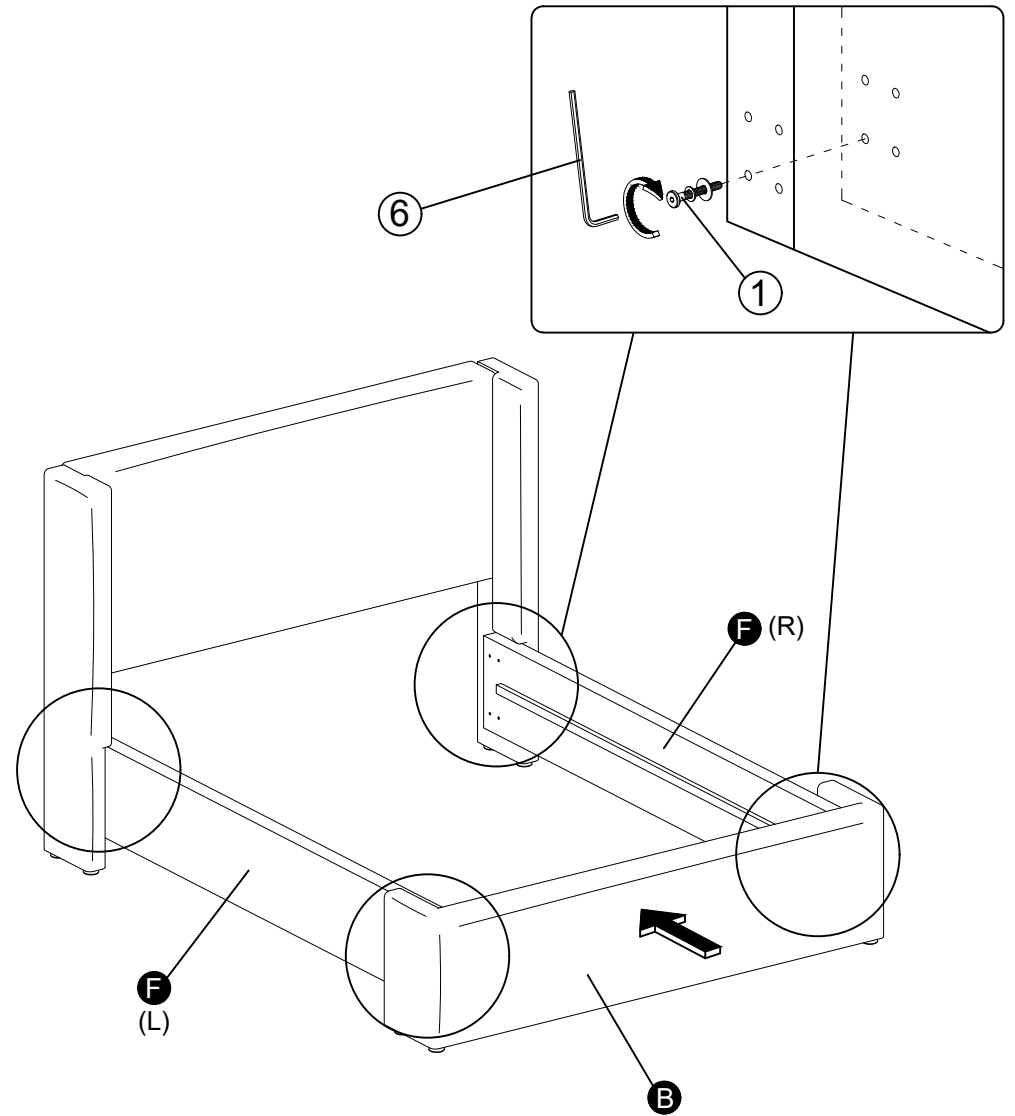
## ASSEMBLY COMPLETED

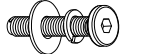
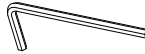
STEP 1



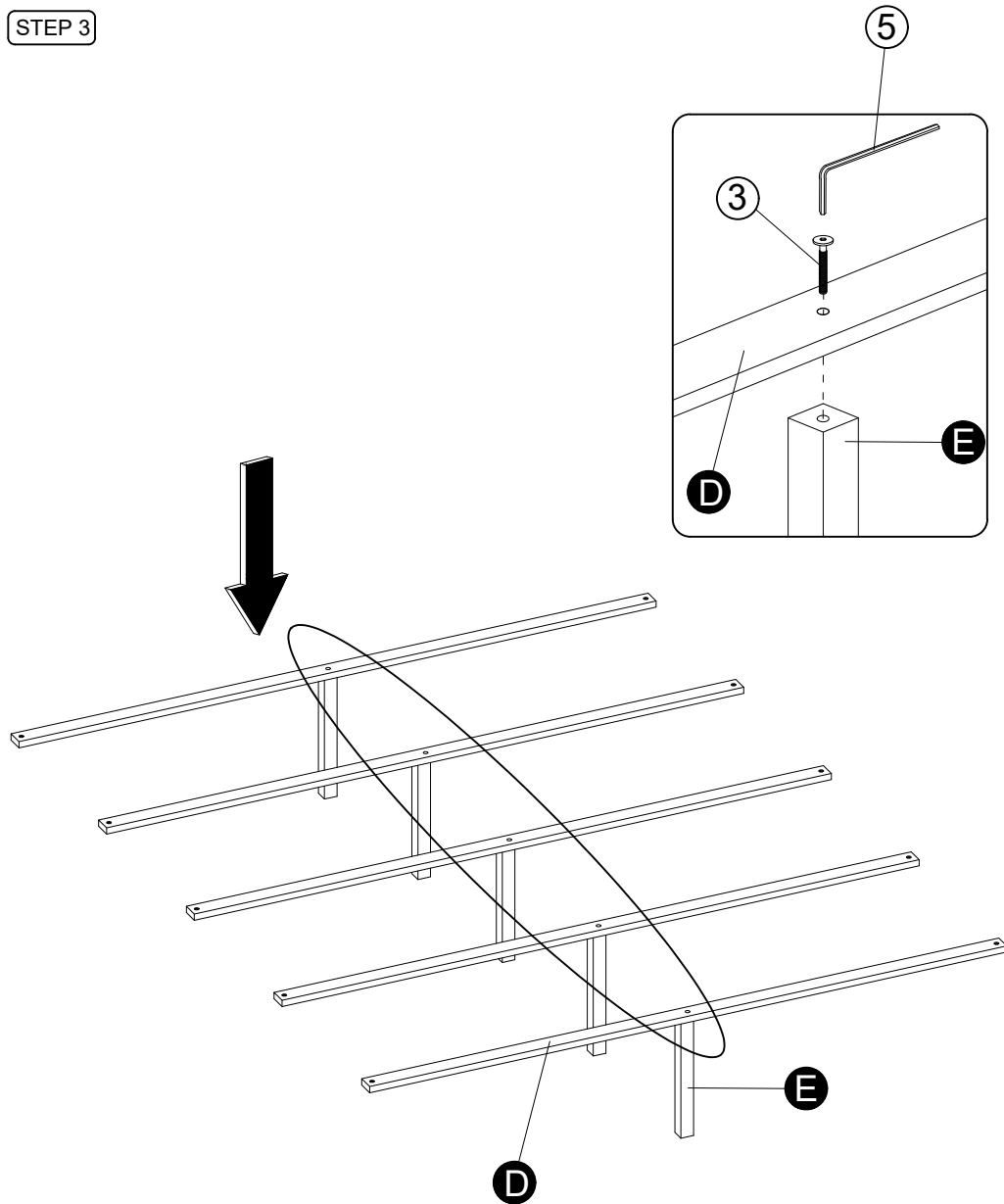
	
② X 6 Pieces	⑥ X 1 Piece


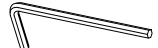
STEP 2



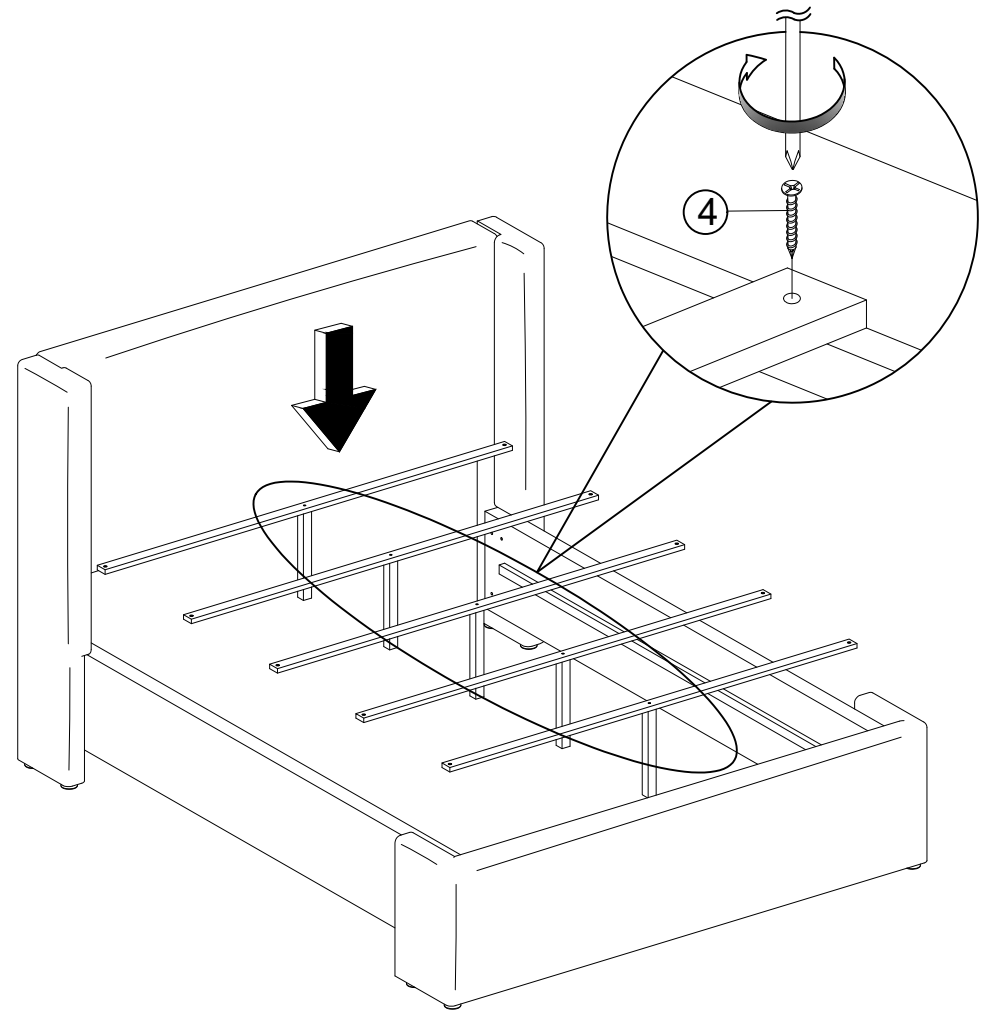
	
① X 16 Pieces	⑥ X 1 Piece

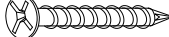
STEP 3



	
③ X 5 Pieces	⑤ X 1 Piece

STEP 4




④ X 10 Pieces