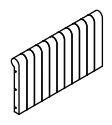





ASSEMBLY INSTRUCTIONS

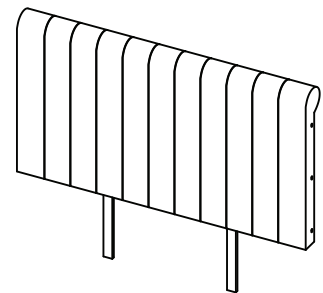
ITEM NO : B5201CL & B5201WH-K-HB / B5201CL & B5201WH-Q-HB
KING HEADBOARD / QUEEN HEADBOARD

**(BOX 1)
BOX OF HEADBOARD**

ITEM	DRAWING	DESCRIPTION	QTY
A		HEADBOARD	1
B		HEADBOARD LEG SUPPORT	2

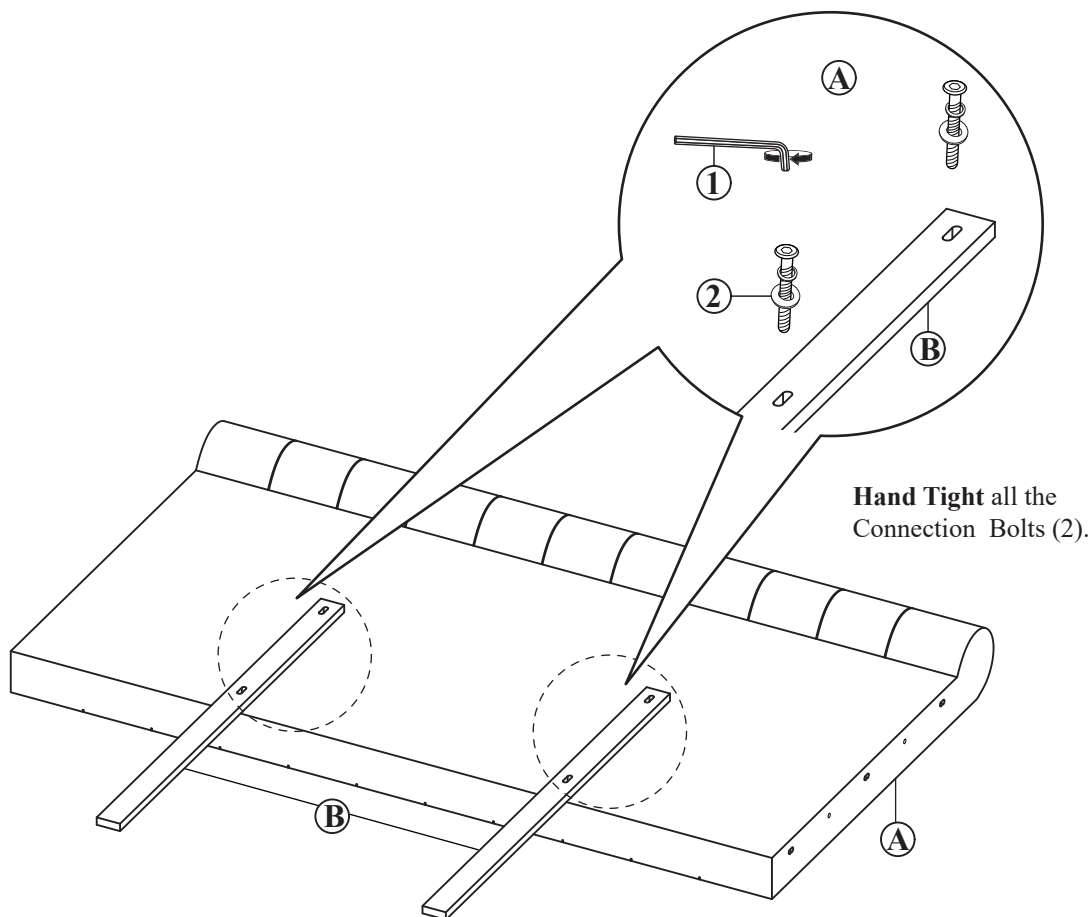
**(BOX 1)
HARDWARE LIST**

ITEM	DRAWING	DESCRIPTION	QTY
1		SHORT ALLEN KEY (M4)	1
2		CONNECTION BOLT (M6 x 35mm) W/SPRING WASHER & WASHER MEDIUM	4



**COMPLETED KING / QUEEN HEADBOARD
ASSEMBLY**

STEP 1



THE HARDWARE IS LOCATED IN THE PACKING ITEMS.

NOTE : MUST TIGHTEN THE BOLTS & SCREWS PERIODICALLY. WITH USE BOLTS & SCREWS MAY BECOME LOOSE.
CHECK TIGHTNESS OF ALL BOLTS & SCREWS EVERY 6-8 WEEKS.

CLEANING INSTRUCTION

After assembly, clean & polish the completed parts if necessary with soft cloth and industrial recognized furniture polish

MADE IN MALAYSIA