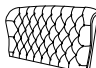
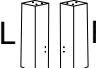






ASSEMBLY INSTRUCTIONS

5138GY-K-HBFB/5138GY-KQ-RAIL KING BED

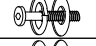
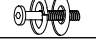


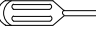
(Box 1)

HEADBOARD & FOOTBOARD

No.	Description	Drawing	Qty.
A	Headboard		1 Pc
B	Left & Right Headboard Leg		2 Pcs
C	Footboard		1 Pc
D	Bun Foot, Black Washer		2 Pcs
E	Wooden Slat		4 Pcs
F	Wooden Support		8 Pcs

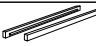
(Box 1)

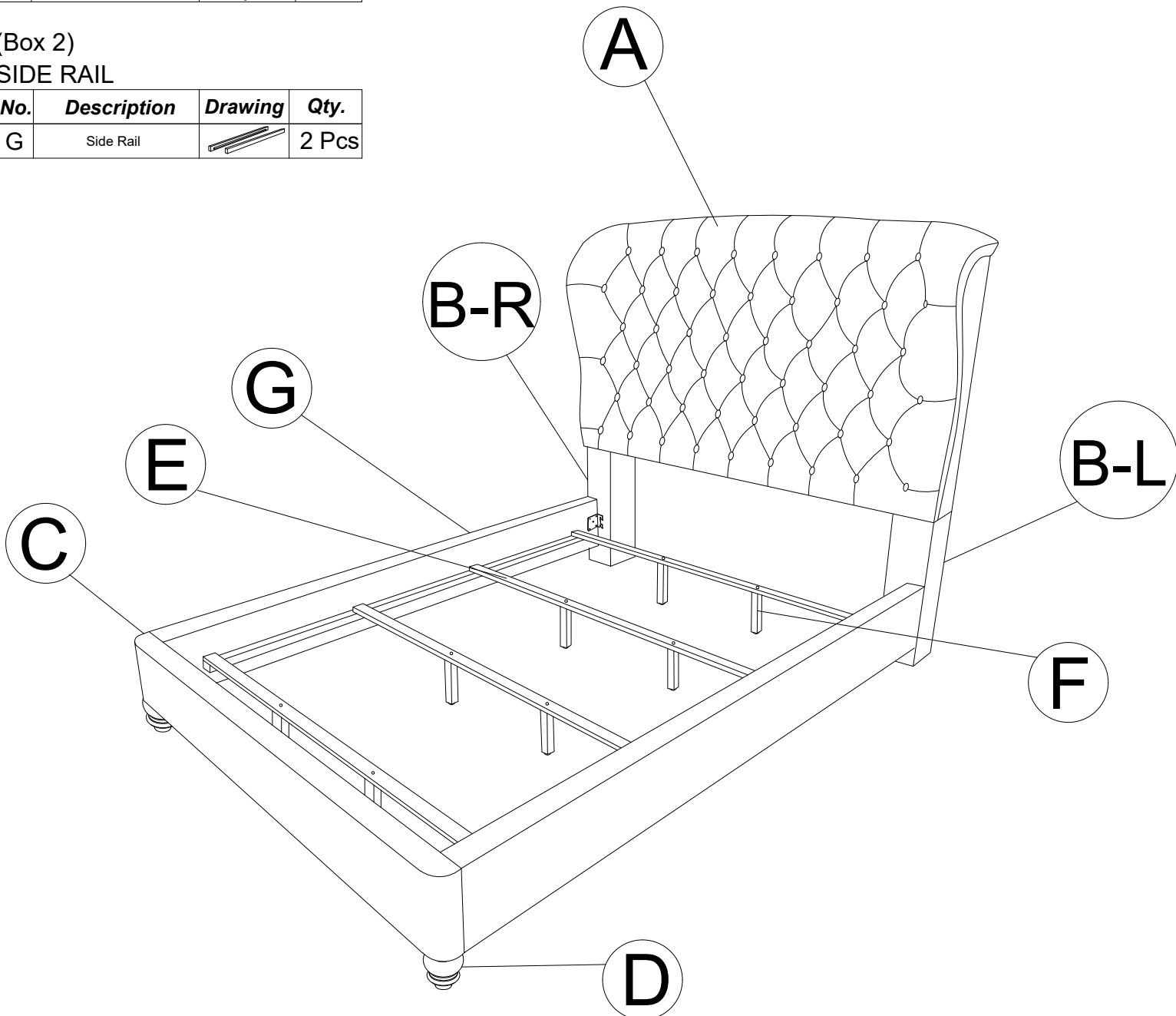
HEADBOARD HARDWARE LIST

No.	Description	Drawing	Qty.
1	Bolt(M8x25),Spring Washer, Flat Washer		8 Pcs
2	Bolt(M8x50),Spring Washer, Flat Washer		6 Pcs
3	Screw M4x32		8 Pcs
4	Allen Key M5		1 Pc
5	Philips head screwdriver (not included).		

(Box 2)

SIDE RAIL

No.	Description	Drawing	Qty.
G	Side Rail		2 Pcs



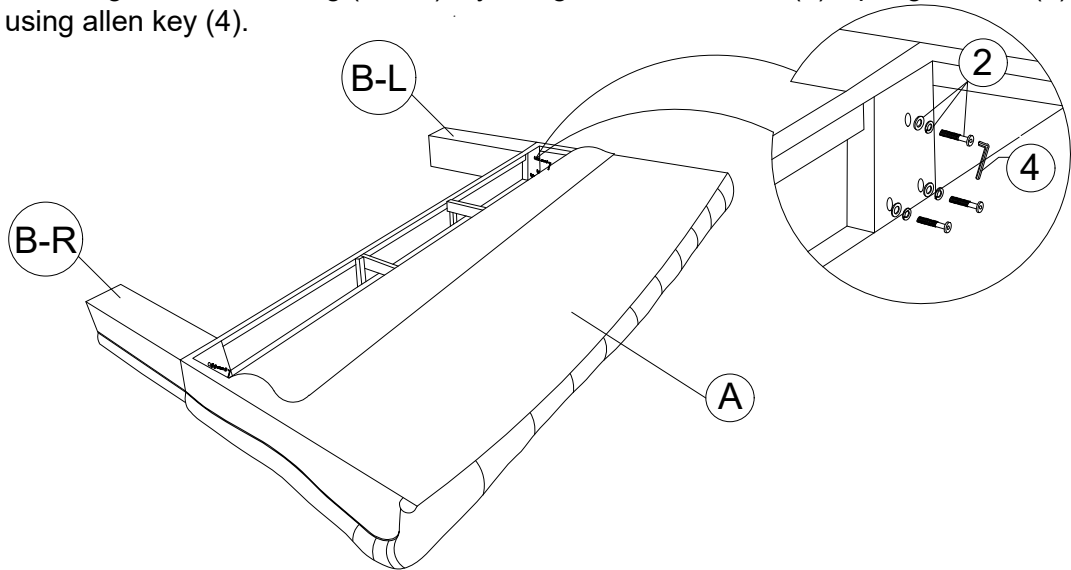
THE HARDWARE IS LOCATED IN THE PACKING ITEMS.

ASSEMBLY INSTRUCTIONS

5138GY-K-HBFB/5138GY-KQ-RAIL KING BED

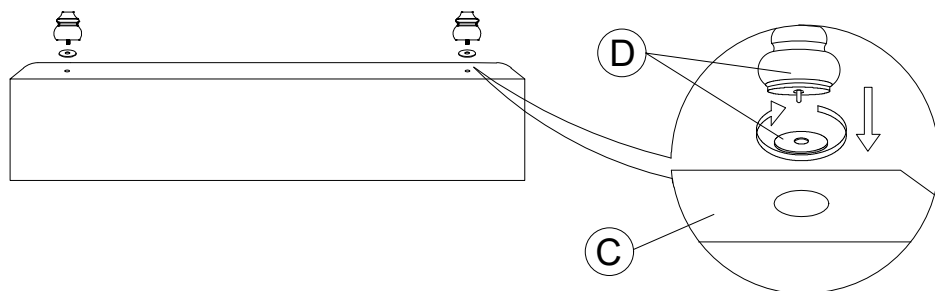
STEP 1:

A. Attach headboard (A) & left & right headboard leg (B-L,R), by using bolt M8 x 50mm (2), spring washer (2), flat washer (2) and tighten by using allen key (4).



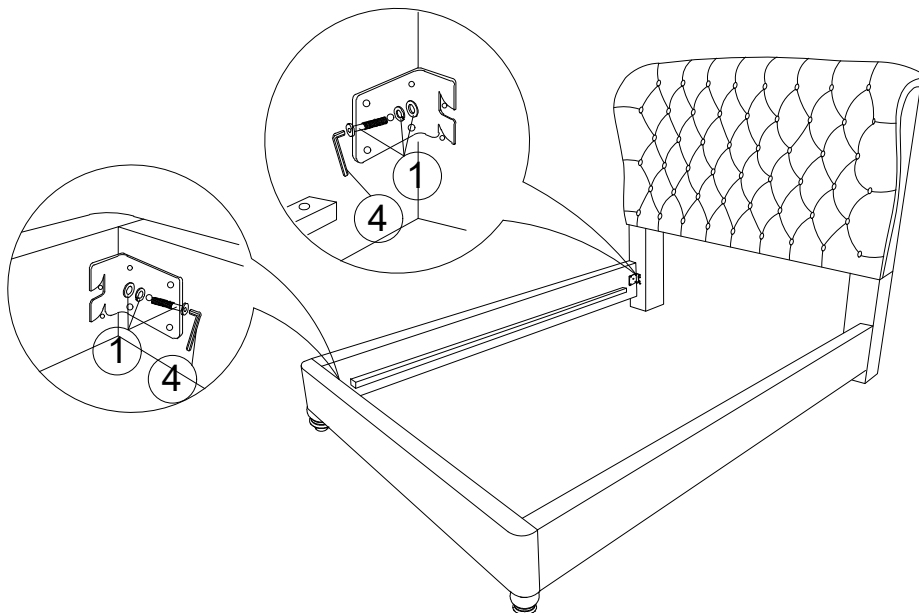
STEP 2:

A. Attach bun foot and black washer (D) to footboard (C).



STEP 3:

A. Assembly side rails (G) to headboard (A), headboard leg (B-L,R) and Footboard (C) by using bolt M8 x 25mm (1), spring washer (1), flat washer (1) and tighten by using allen key (4).

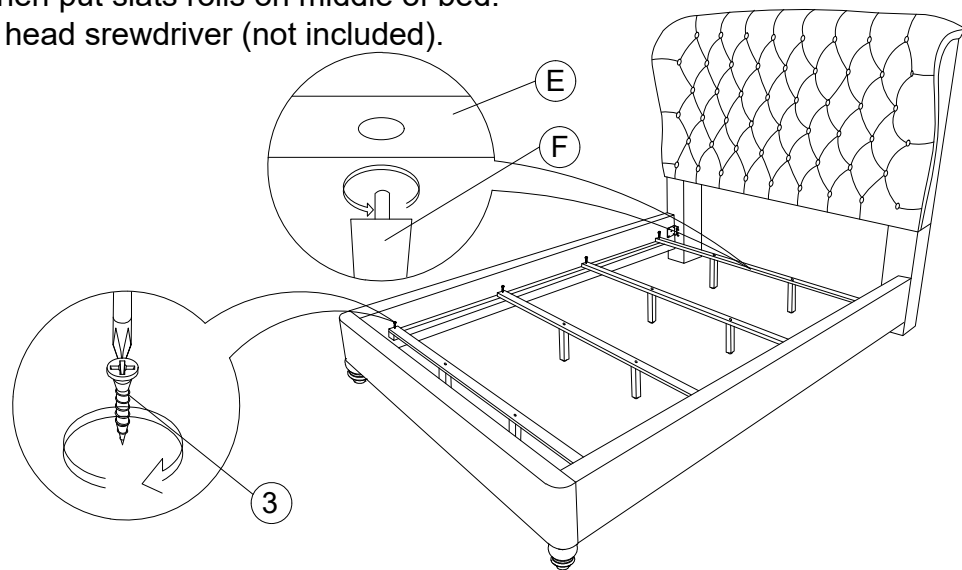


ASSEMBLY INSTRUCTIONS

5138GY-K-HBFB/5138GY-KQ-RAIL KING BED

STEP 4:

- A. Attach support legs (F) to slats (E). Then put slats rolls on middle of bed.
- B. Secure slats with screw (3) by philips head screwdriver (not included).



FINISHED

