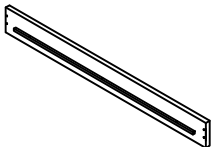
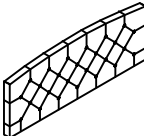

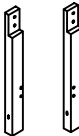
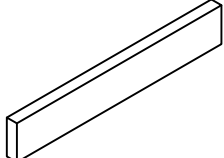
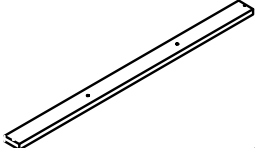

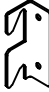
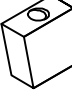

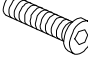
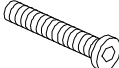
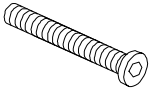
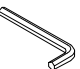


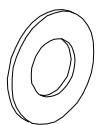
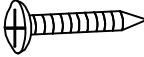
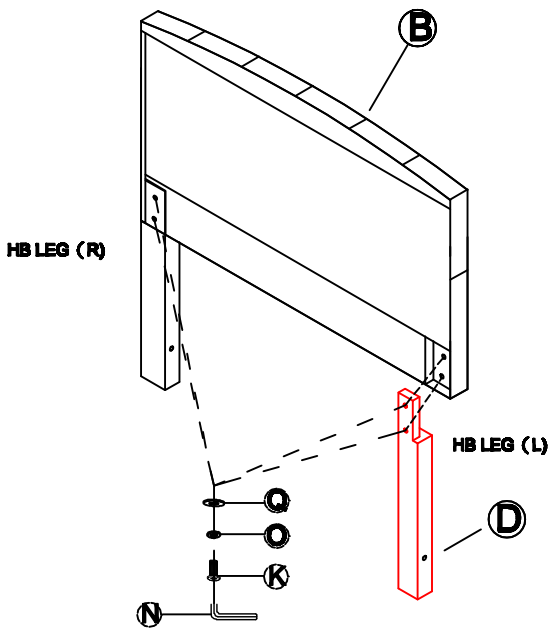


# ASSEMBLY INSTRUCTION

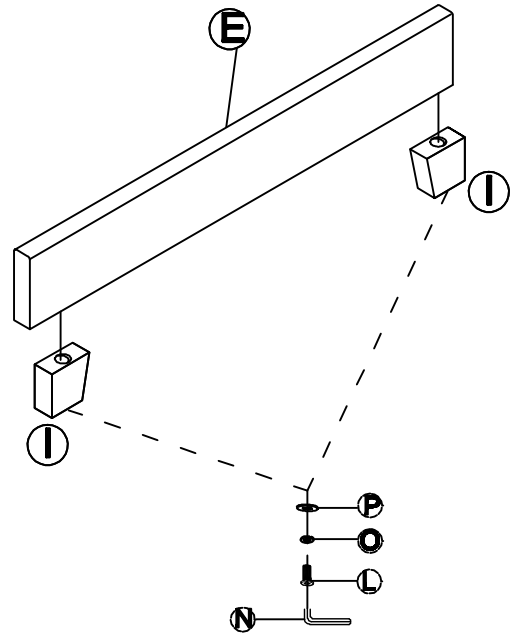
5111-K

<p><b>A</b> RAIL</p>  <p>2PCS</p>	<p><b>B</b> HEADBOARD</p>  <p>1PC</p>	<p><b>C</b> Wingback(L&amp;R)</p>  <p>2PCS</p>	<p><b>D</b> HB LEG (L&amp;R)</p>  <p>2PCS</p>
<p><b>E</b> FOOTBOARD</p>  <p>1PC</p>	<p><b>F</b> WOOD SLAT</p>  <p>4PCS</p>	<p><b>G</b> SUPPORT LEG</p>  <p>8PCS</p>	<p><b>H</b> CONNECTION STRAP</p>  <p>4PCS</p>
<p><b>I</b> FB FEET</p>  <p>2PCS</p>	<p><b>J</b> BOLT <math>\frac{5}{16}</math>"x1"</p>  <p>16PCS</p>	<p><b>K</b> BOLT <math>\frac{5}{16}</math>"x2"</p>  <p>8PCS</p>	<p><b>L</b> BOLT <math>\frac{5}{16}</math>"x3"</p>  <p>2PCS</p>
<p><b>M</b> BOLT <math>\frac{5}{16}</math>"x5"</p>  <p>2PCS</p>	<p><b>N</b> ALLEN WRENCH 5MM</p>  <p>1PC</p>	<p><b>O</b> LOCK WASHER 5/16"Ø12MM</p>  <p>28PCS</p>	<p><b>P</b> FLAT WASHER 5/16"Ø19MM</p>  <p>18PCS</p>
<p><b>Q</b> FLAT WASHER 5/16"Ø22MM</p>  <p>10PCS</p>	<p><b>R</b> SCREW 8MMx1-3/4"</p>  <p>8PCS</p>		

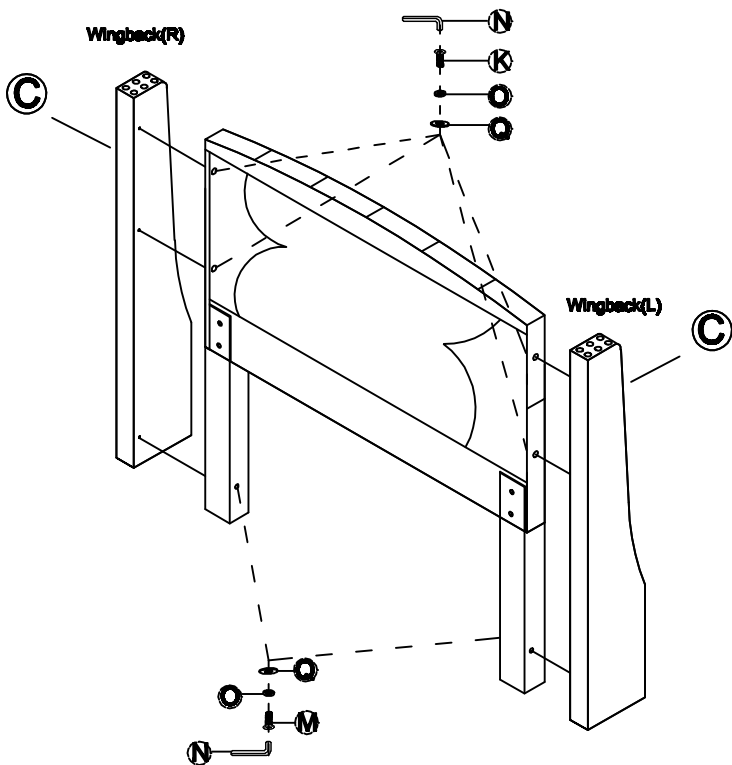
### STEP 1



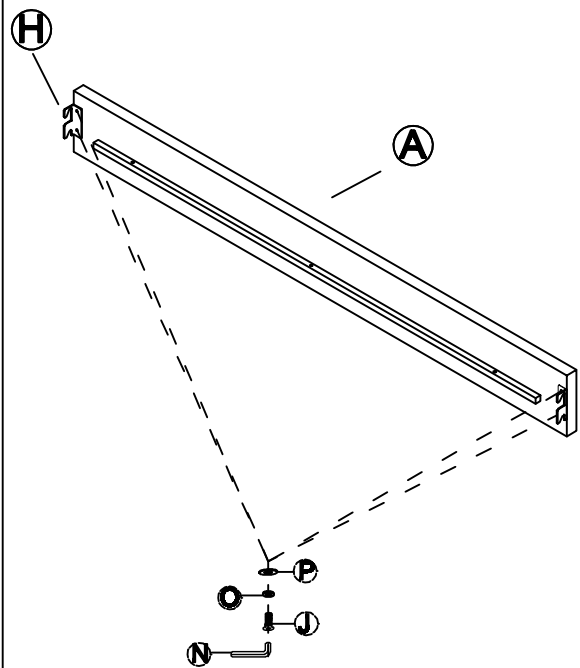
### STEP 2



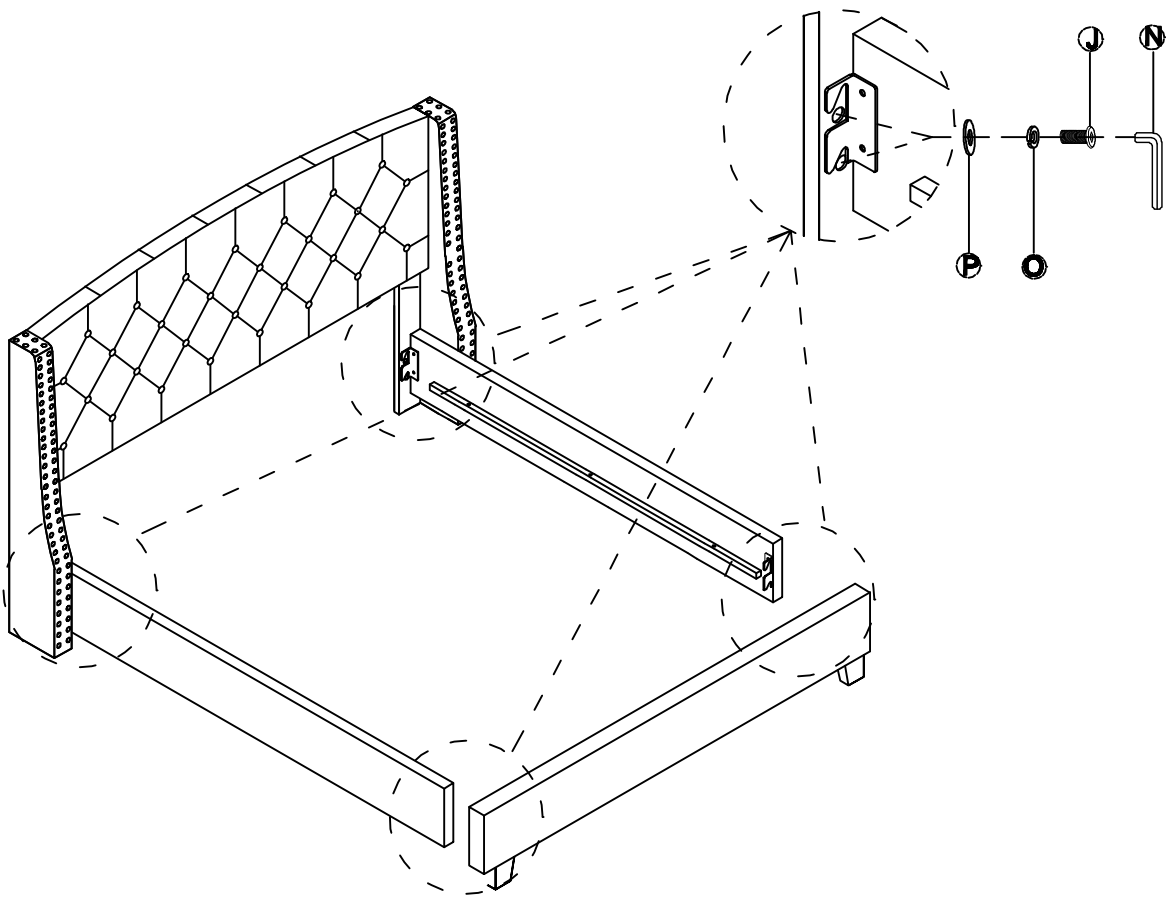
### STEP 3



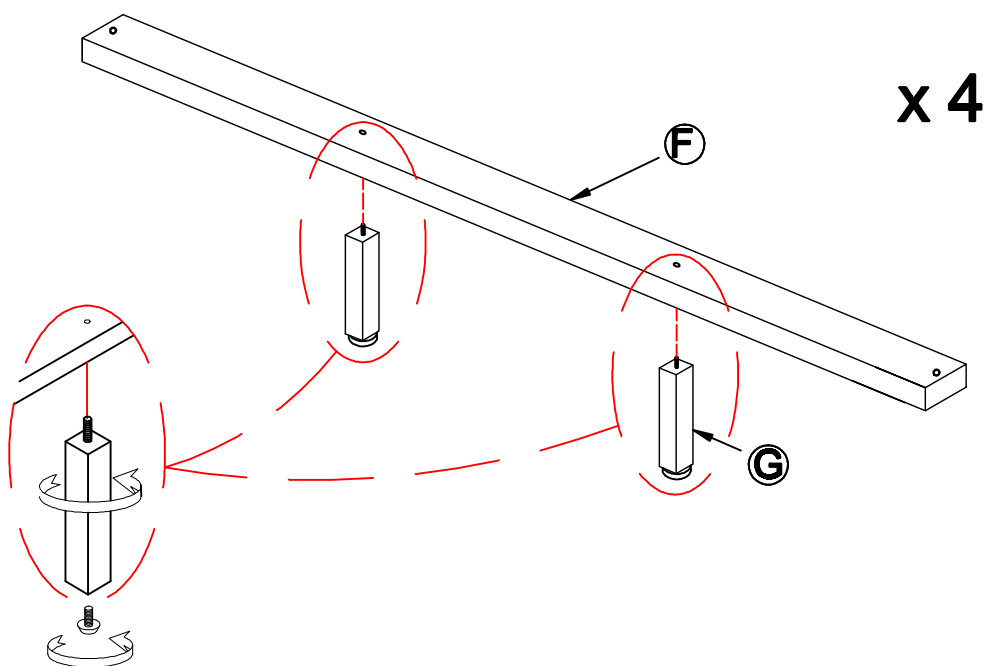
### STEP 4



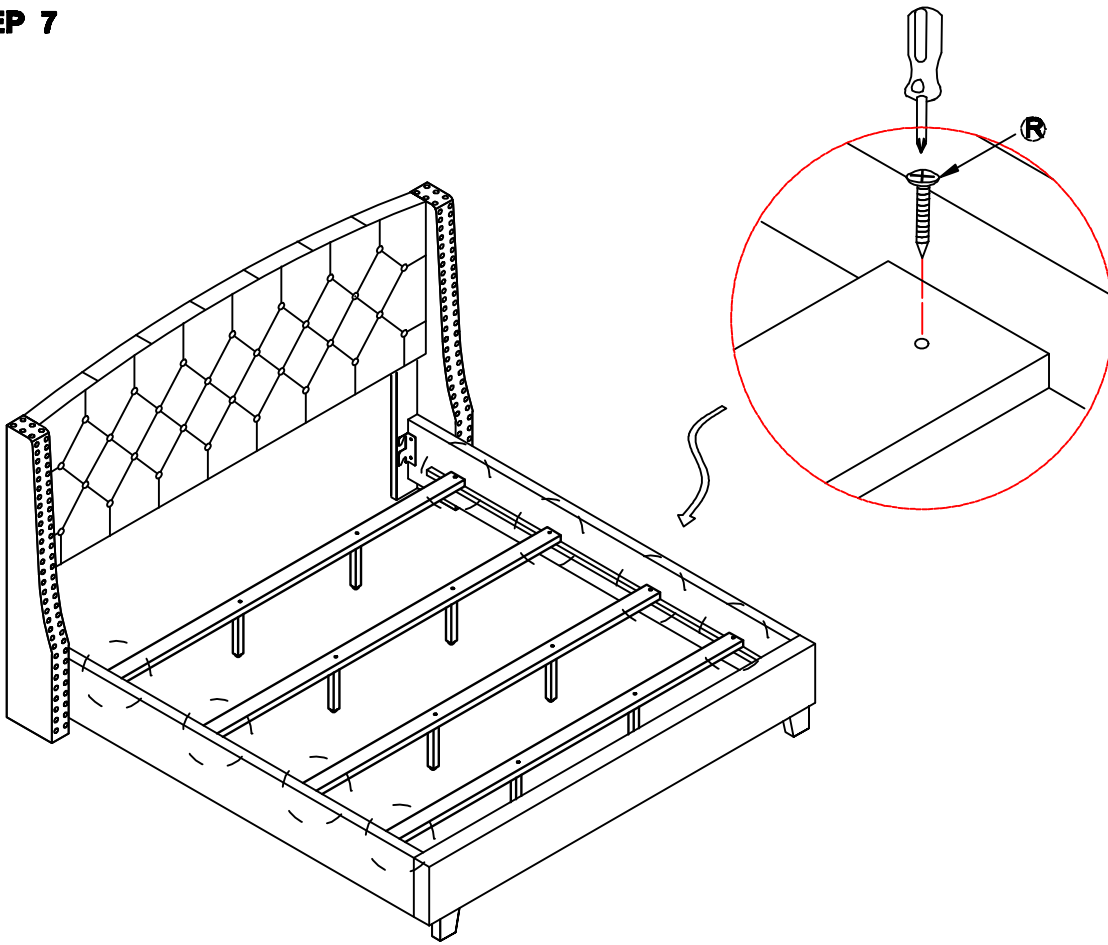
**STEP 5**



**STEP 6**



**STEP 7**



**STEP 8**

