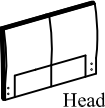
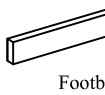
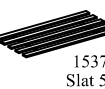
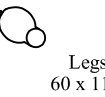
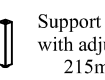


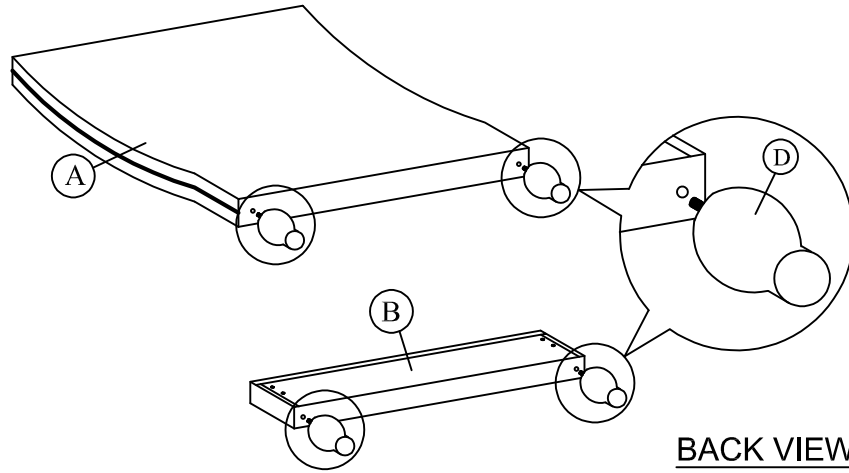
ASSEMBLY INSTRUCTION

MODEL : #5106 (5')

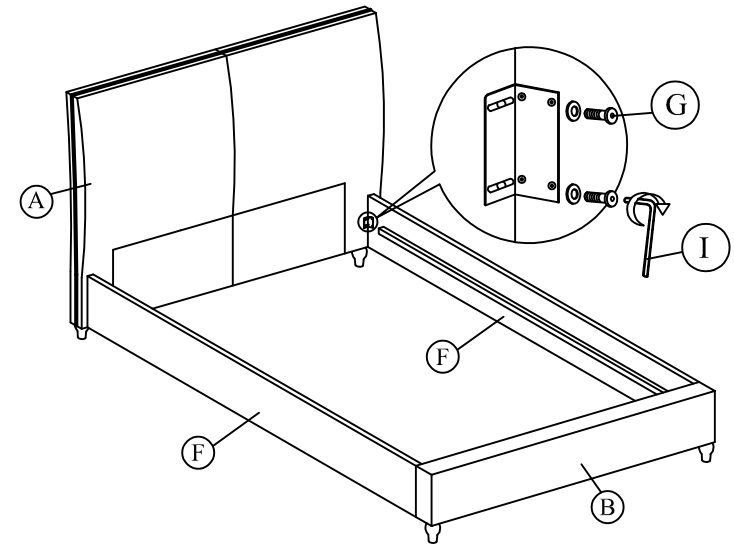
(BOX 1)#5106-Q-HBFB/5106CL-Q-HBFB
BOX OF HEADBOARD/FOOTBOARD

A	 Headboard	1 pc
B	 Footboard	1 pc
C	 1537mm Slat 5 roll	1 set
D	 Legs 60 x 110(H)	4 pcs
E	 Support Leg with adjuster 215mm	5 pcs

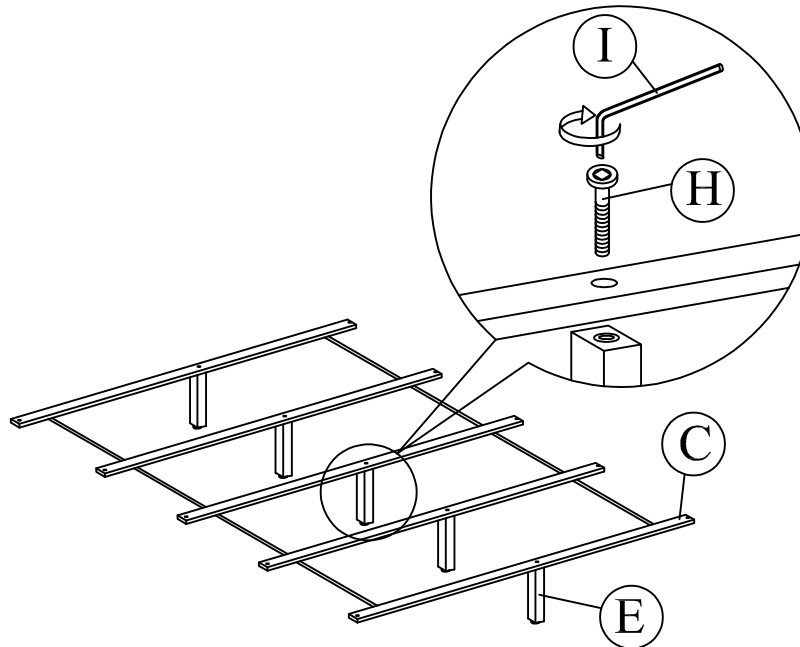
Step 1 : Install the legs (D) to footboard (B) and headboard (A).



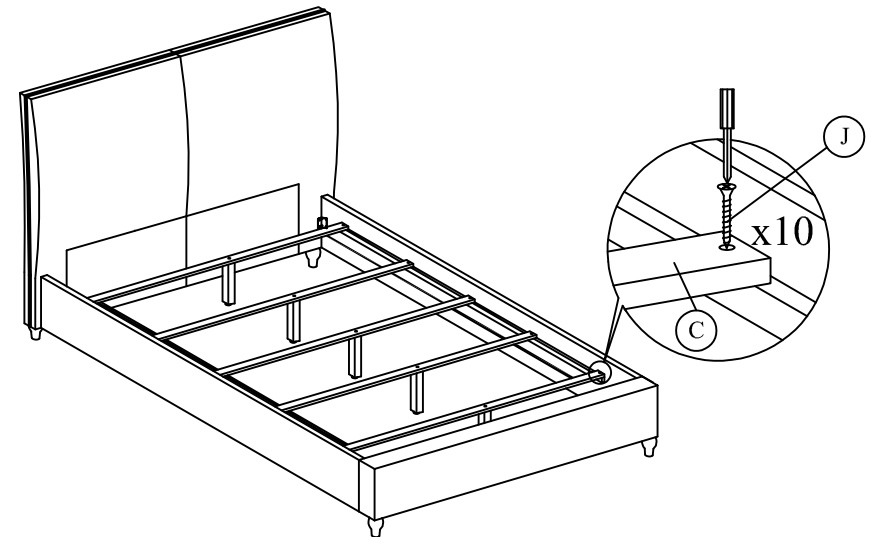
Step 2 : Attached side rail (F) to headboard (A) and footboard (B) and tightened the screws + flat washers (G) to the headboard (A) and footboard (B).




Step 3 : Attach the support legs (E) to the slats (C).





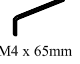

Step 4 : Affix the Slat (C) to the side rail support wood at side rail (F).



(BOX 2)#5106-KQ-RAIL/5106CL-KQ-RAIL
BOX OF SIDE RAIL

F	 Side Rail	2 pcs
---	--	-------

(BOX 1)#5106-Q-HBFB/5106CL-Q-HBFB
HARDWARE LIST

G	 JCBC M6 X 30 with Flat Washers	8 pcs
H	 JCBC M6 X 40	5 pcs
I	 M4 x 65mm	1 pc
J	 CSK M4 x 32mm	10 pcs