

ASSEMBLY INSTRUCTION

MODEL : #5106 (6')

Step 1 : After complete assemble the slats. Proceed to step 2.

(BOX 3)#5106-K-DECK
BOX OF DECKING BOARD

A



6 pcs

DECKING
BOARD

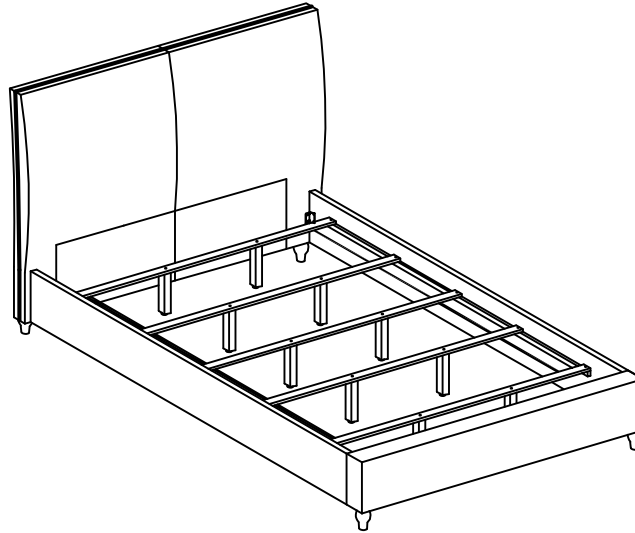
(BOX 3)#5106-K-DECK
HARDWARE LIST

B



CSK M4 x 25mm

30 pcs



Step 2 : Tighten the MDF Board (A) with CSK screw (B).

