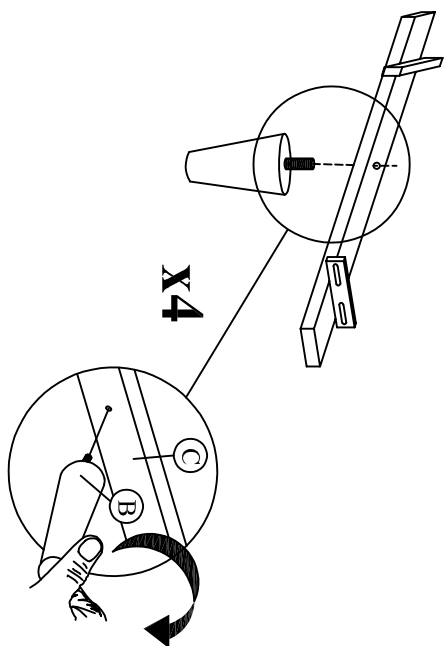


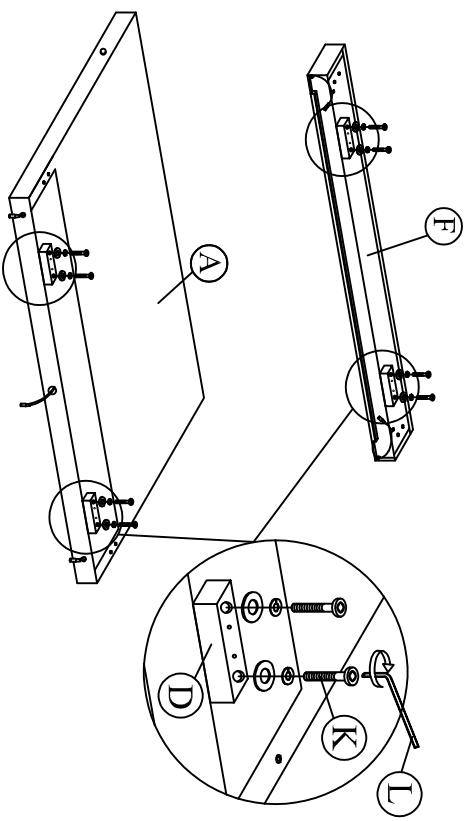
ASSEMBLY INSTRUCTION

MODEL : #5096BK (S)

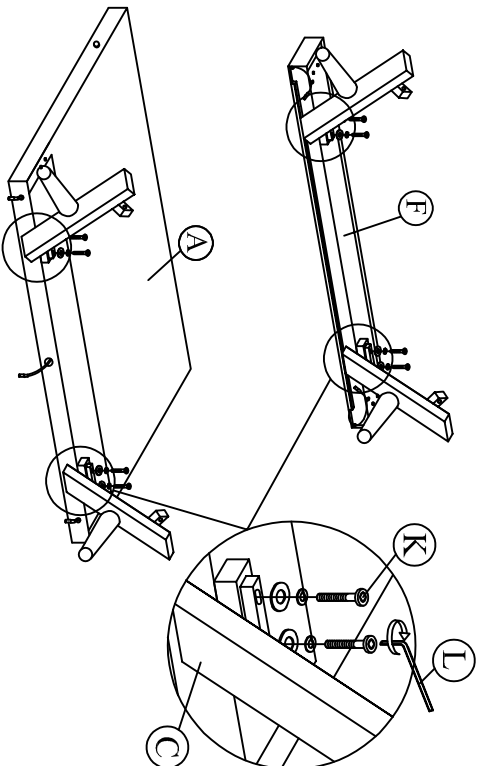
Step 1 : Install the legs (B) to leg holder (A).



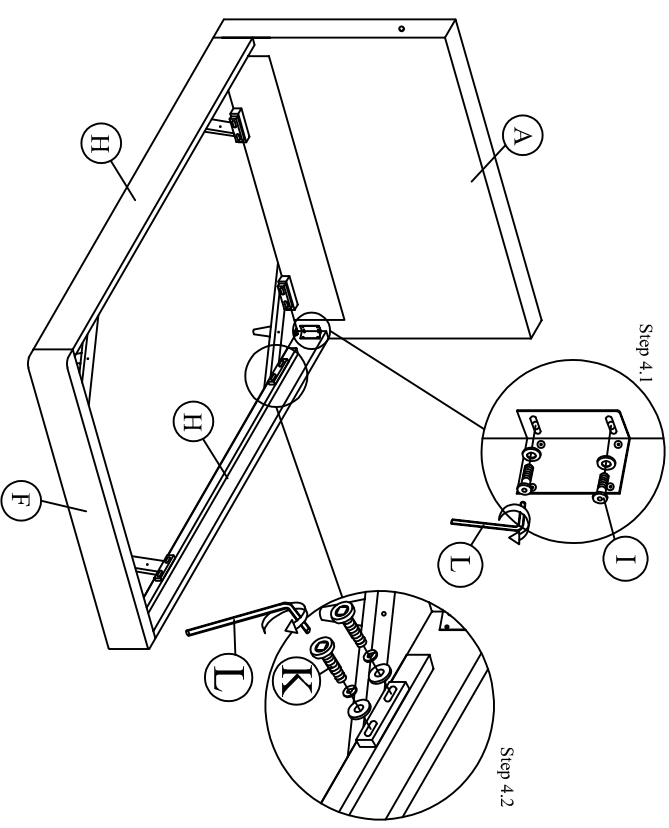
Step 2 : Attach Wooden Holder Support (D) to footboard (F) and headboard (A).



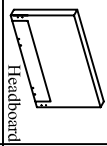
Step 3 : Attach leg holder (C) with leg (B) to the footboard (F) and headboard (A).



Step 4 : Attach side rail (H) to the headboard (A) and footboard (F). Attach leg holder (C) with leg (B) to the side rail (H).

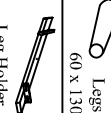


(BOX 1) #5096BK-Q-HB
BOX OF HEADBOARD



1 pc

B
Legs
60 x 130(H)



4 pcs

C
Leg Holder



4 pcs

D
Wooden Holder Support



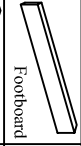
4 pcs

E
Support Leg With Adjuster 180mm



4 pcs

(BOX 2) #5096BK-Q-FB
BOX OF FOOTBOARD



1 pc

G
Slat 1537mm



4 pcs

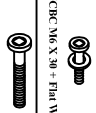
(BOX 3) #5096BK-KQ-RAIL
BOX OF SIDE RAIL



2 pcs

(BOX 1) #5096BK-Q-HB
HARDWARE LIST

I
JCRC M6 X 30 + Flat Washer



8 pcs

J
JCRC M6 X 40



4 pcs

K
JCRC M6 X 50 + Spring Washer + Flat Washer



24 pcs

L
M4 x 65mm



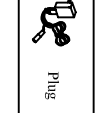
1 pc

M
CSK M4 x 32mm



8 pcs

N
Plug

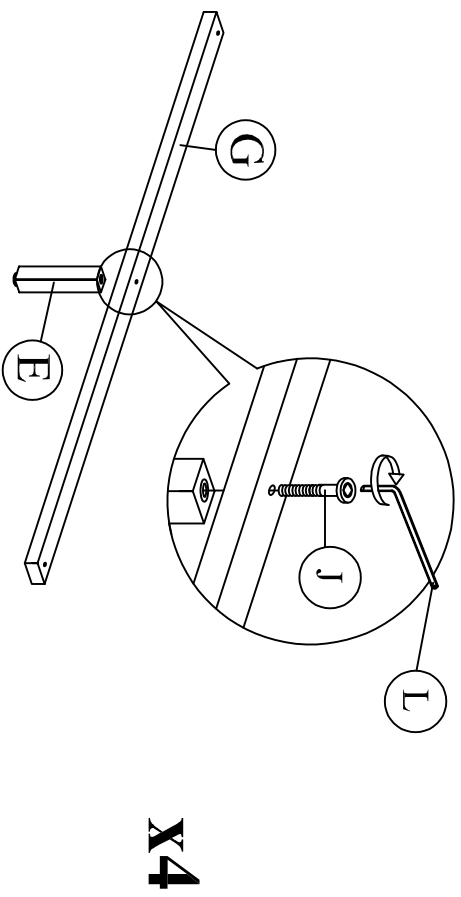


1 pc

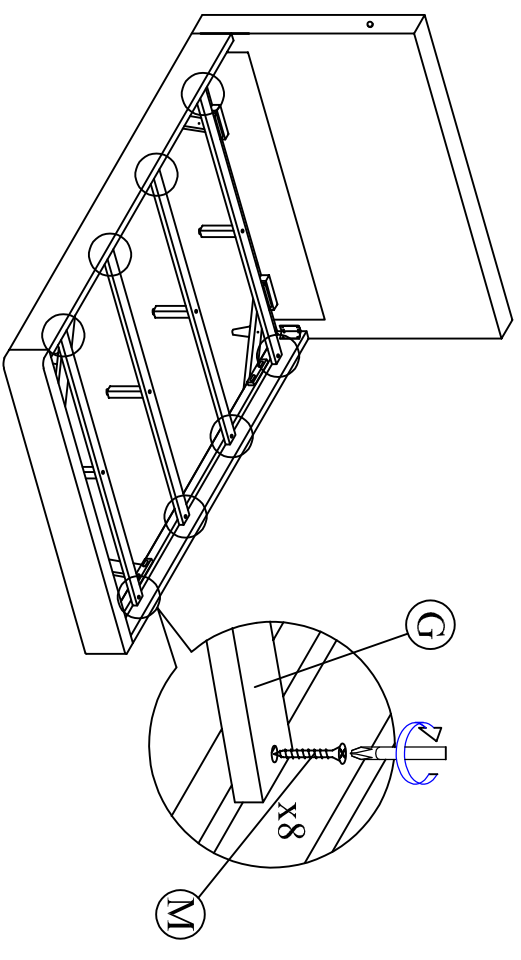
THE HARDWARE IS LOCATED IN THE PACKING ITEMS

PAGE 1 OF 2

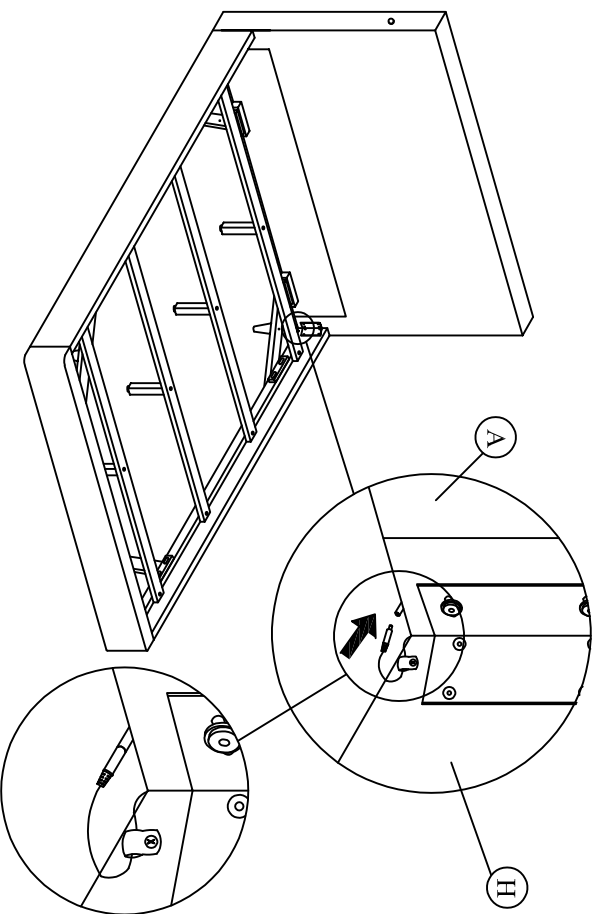
Step 5 : Attach the support legs (E) to the slat (G) of the bed as shown.



Step 6 : Affix the Slat (G) to the side rail support wood. Tighten all the 4 corner.



Step 7 : Install connector to the headboard (A) and side rail (H).



Step 8 : Install plug (N) to the headboard (A). Install connector to the footboard (B) and side rail (H).

