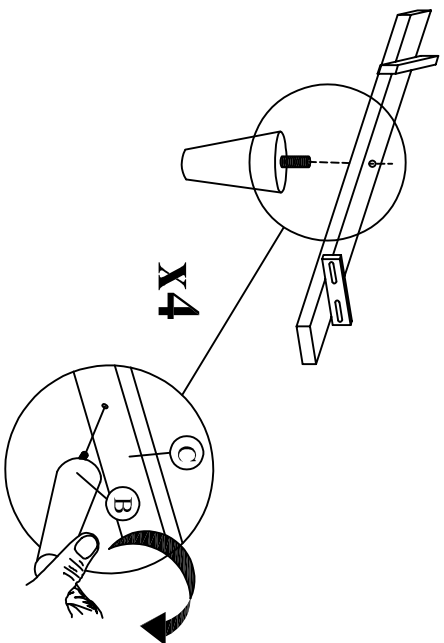


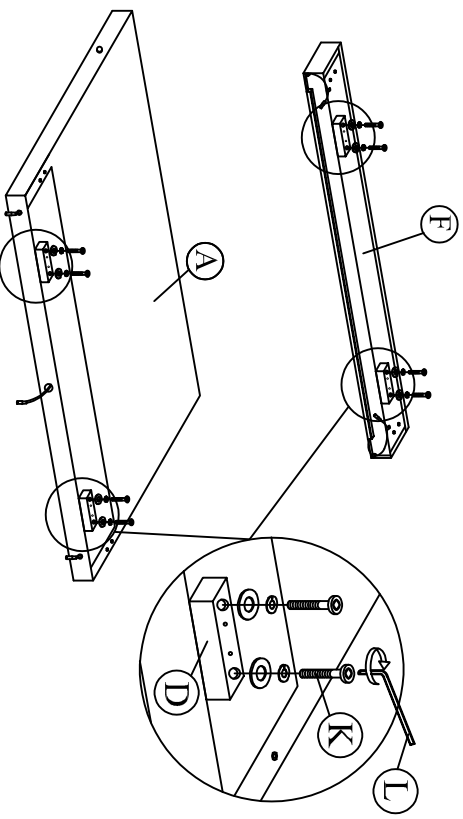
# ASSEMBLY INSTRUCTION

**MODEL : #5096BK (6)**

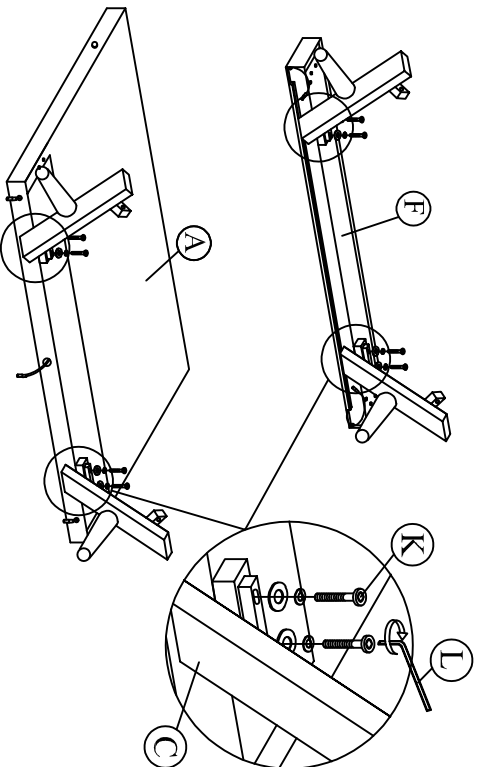
Step 1 : Install the legs (B) to leg holder (C).



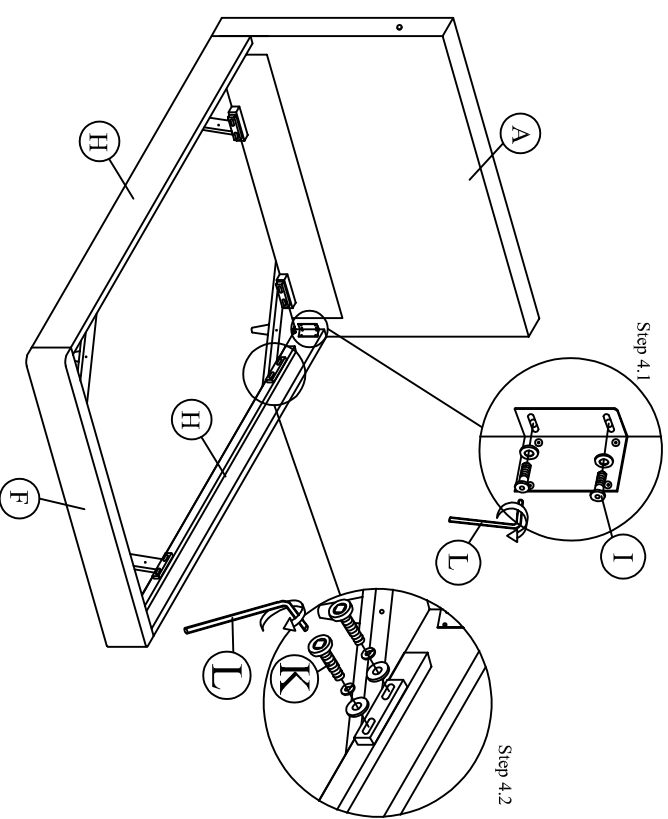
Step 2 : Attach Wooden Holder Support (D) to footboard (F) and headboard (A).



Step 3 : Attach leg holder (C) with leg (B) to the footboard (F) and headboard (A).



Step 4 : Attach side rail (H) to the headboard (A) and footboard (F). Attach leg holder (C) with leg (B) to the side rail (H).



**(BOX 1) #5096BK-K-HB**  
BOX OF HEADBOARD

A	Headboard	1 pc
---	-----------	------

B	Legs 60 x 130(H)	4 pcs
---	---------------------	-------

C	Leg Holder	4 pcs
---	------------	-------

D	Wooden Holder Support	4 pcs
---	--------------------------	-------

**(BOX 2) #5096BK-K-FB**  
BOX OF FOOTBOARD

F	Footboard	1 pc
---	-----------	------

G	Slat 1947mm	4 pcs
---	----------------	-------

**(BOX 3) #5096BK-KQ-SRAIL**  
BOX OF SIDE RAIL

H	Side Rail	2 pcs
---	-----------	-------

**(BOX 1) #5096BK-K-HB**  
HARDWARE LIST

I	JCRC M6 X 30 + Flat Washer	8 pcs
---	----------------------------	-------

J	JCRC M6 X 40	8 pcs
---	--------------	-------

K	JCRC M6 X 50 + Spring Washer + Flat Washer	24 pcs
---	---	--------

L	M4 x 65mm	1 pc
---	-----------	------

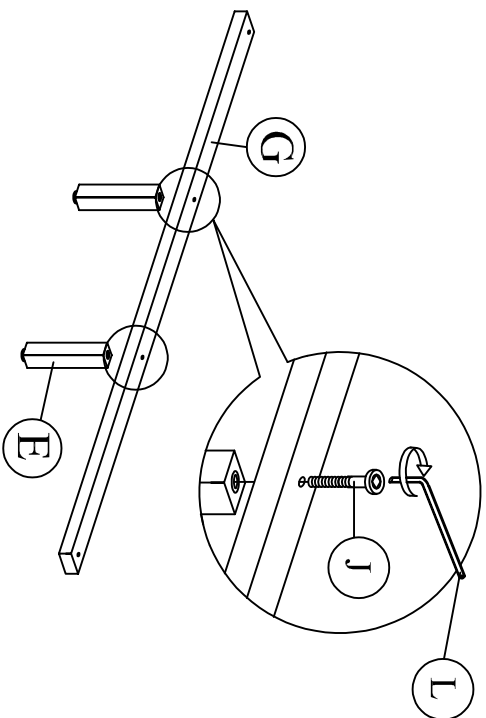
M	CSK M4 x 32mm	8 pcs
---	---------------	-------

N	Plug	1 pc
---	------	------

**THE HARDWARE IS LOCATED IN THE PACKING ITEMS**

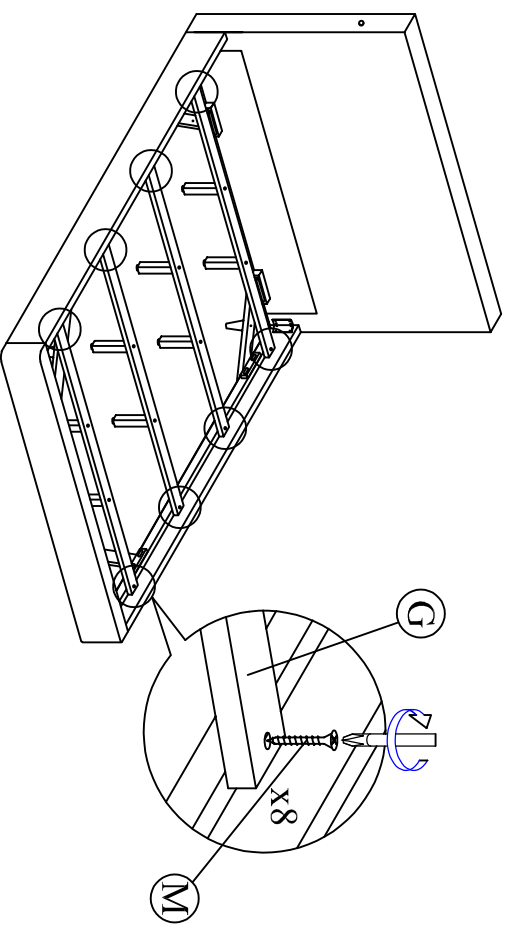
**PAGE 1 OF 2**

Step 5 : Attach the support legs (E) to the slat (G) of the bed as shown.

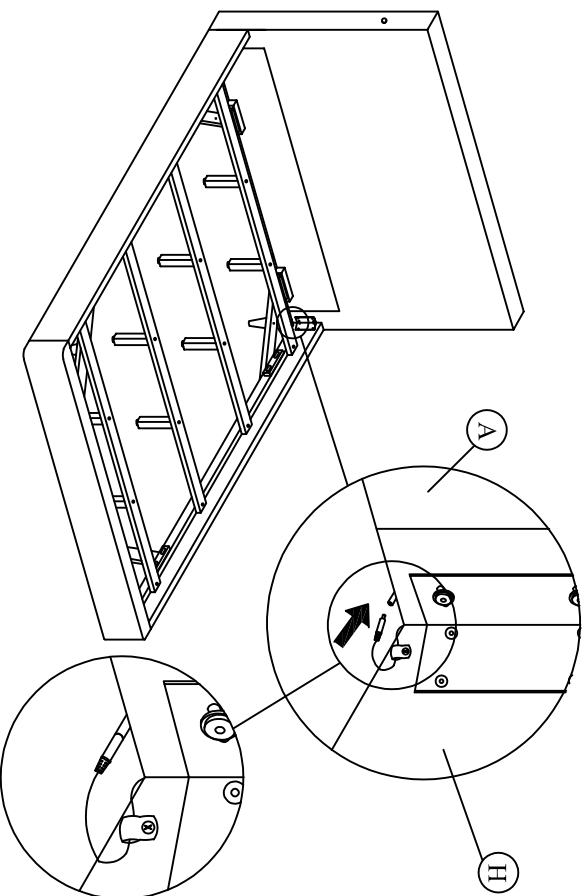


**X4**

Step 6 : Affix the Slat (G) to the side rail support wood. Tighten all the 4 corner.



Step 7 : Install connector to the headboard (A) and side rail (H).



Step 8 : Install plug (N) to the headboard (A), Install connector to the footboard (B) and side rail (H).

