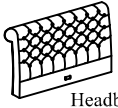
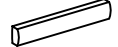
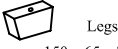
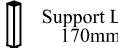
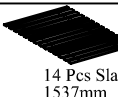




# ASSEMBLY INSTRUCTION

MODEL : #5093 (5')



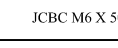


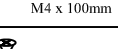
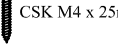
(BOX 1) #5093-Q-HBFB  
BOX OF HEADBOARD/FOOBOARD

A		1 pc
B		1 pc
C	 Legs 150 x 65 x 70(H)	4 pcs
D	 Support Leg 170mm	3 pcs
E	 14 Pcs Slat 1537mm	1 pc

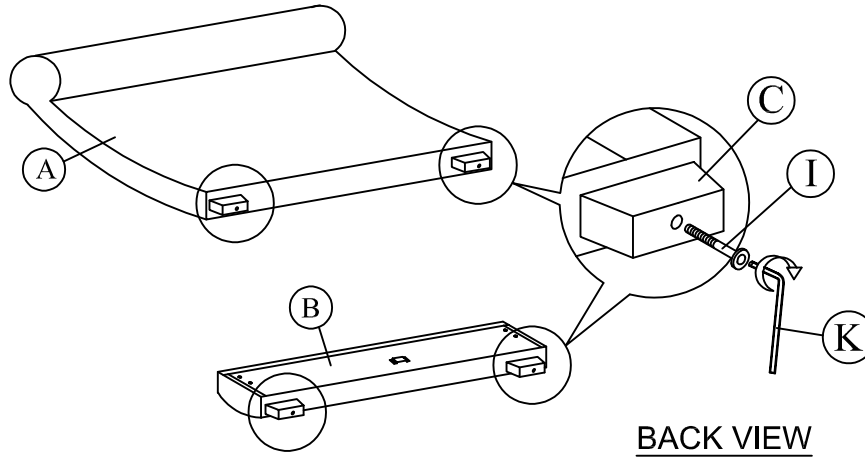
(BOX 2) #5093-KQ-RAIL  
BOX OF SIDE RAIL

F		2 pcs
G	 Center Rail 2070mm	1 pc

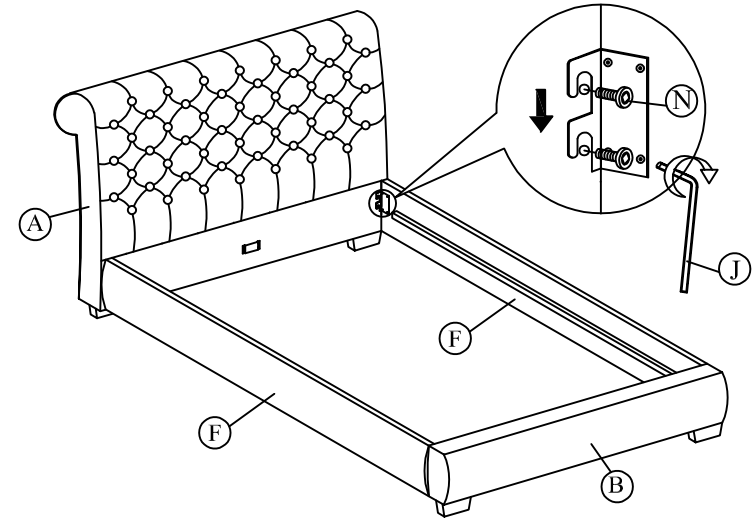
(BOX 1) #5093-Q-HBFB  
HARDWARE LIST

H		3 pcs
I		4 pcs
J		1 pc
K		1 pc
L		2 pcs
M		31 pcs
N		8 pcs

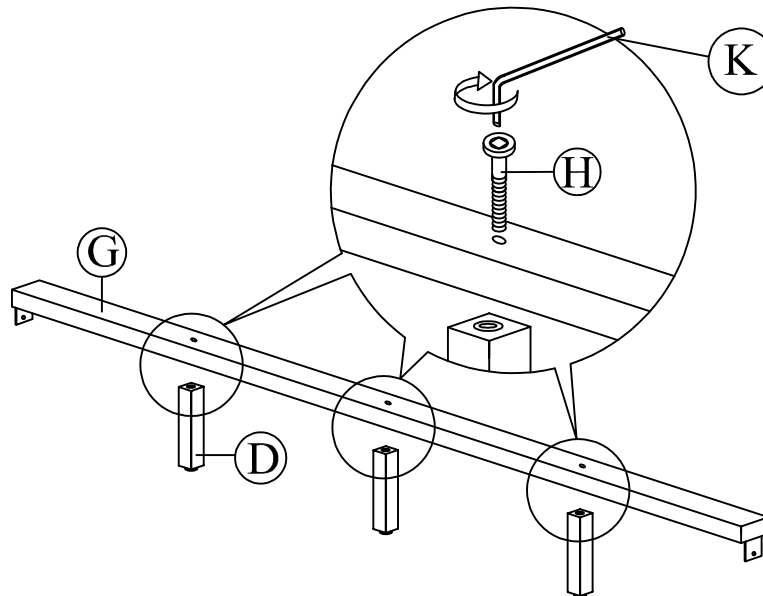
Step 1 : Install the legs (C) to footboard (B) and headboard (A).



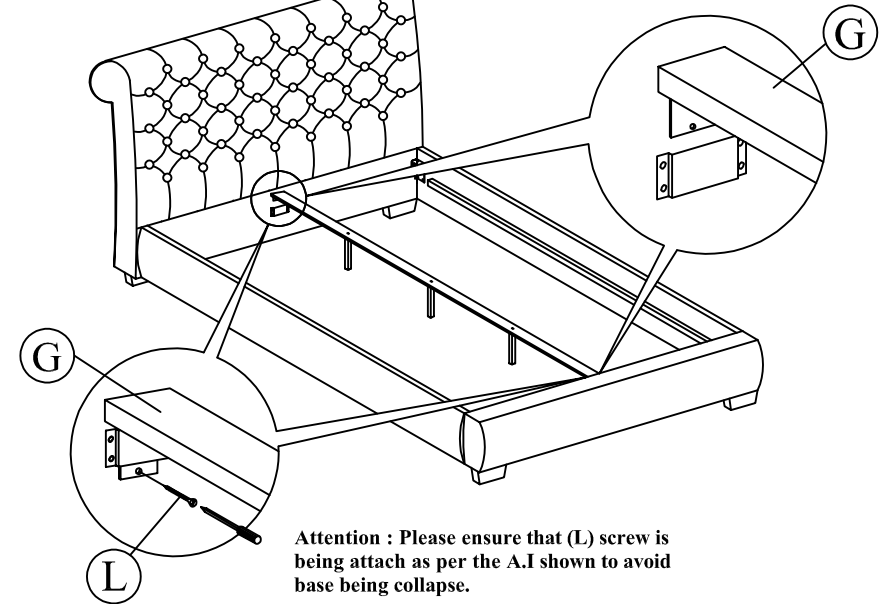
Step 2 : Attach side rail (F) to footboard (B) and headboard (A) by pushing the bracket down to fit it.



Step 3 : Attach the support legs (D) to the center rail (G) of the bed as shown.



Step 4 : Slide the center rail (G) to the headboard (A) and footboard (B). Tighten screws (L) using screw driver (not included) to the headboard (A) and footboard (B).



Step 5 : Affix the Slat (E) to the side rail support wood and the center rail (G). Tighten all the 4 corner .

