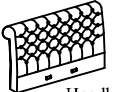


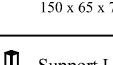
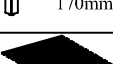




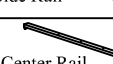
# ASSEMBLY INSTRUCTION

MODEL : #5093 (6')


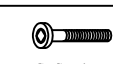
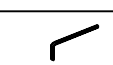
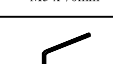
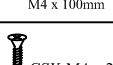
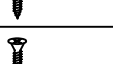
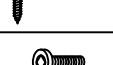
(BOX 1) #5093-K-HBFB  
BOX OF HEADBOARD/FOOBOARD

A		1 pc
B		1 pc
C		4 pcs 150 x 65 x 70(H)
D		6 pcs 170mm
E		1 pc 1947mm
F		1 pc 2070mm

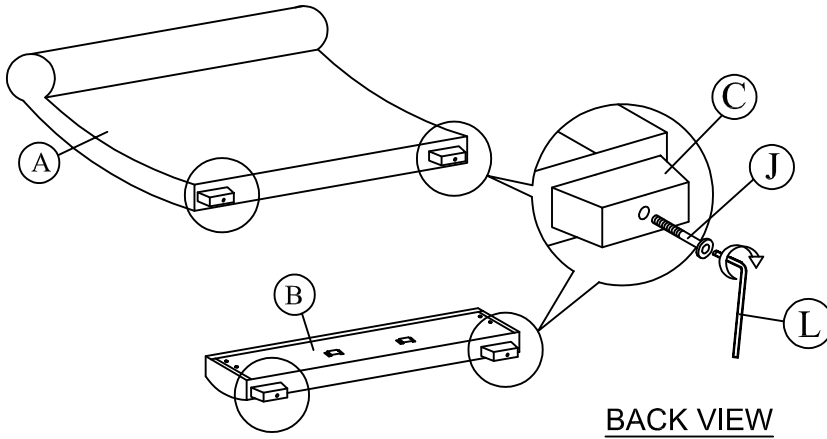
(BOX 2) #5093-KQ-RAIL  
BOX OF SIDE RAIL

G		2 pcs
H		1 pc 2070mm

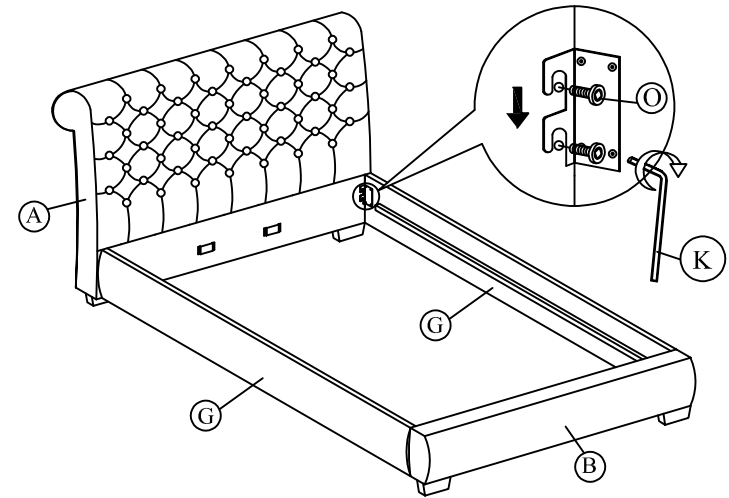
(BOX 1) #5093-K-HBFB  
HARDWARE LIST

I		6 pcs
J		4 pcs
K		1 pc
L		1 pc
M		4 pcs
N		34 pcs
O		8 pcs

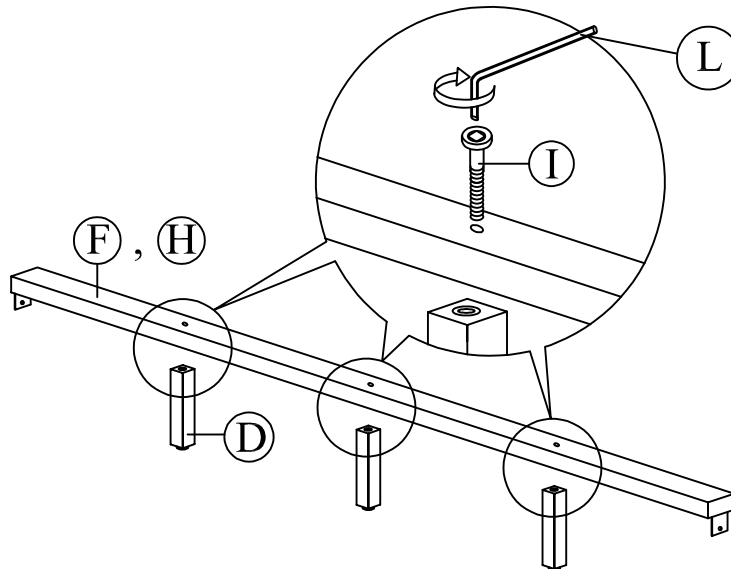
Step 1 : Install the legs (C) to footboard (B) and headboard (A).



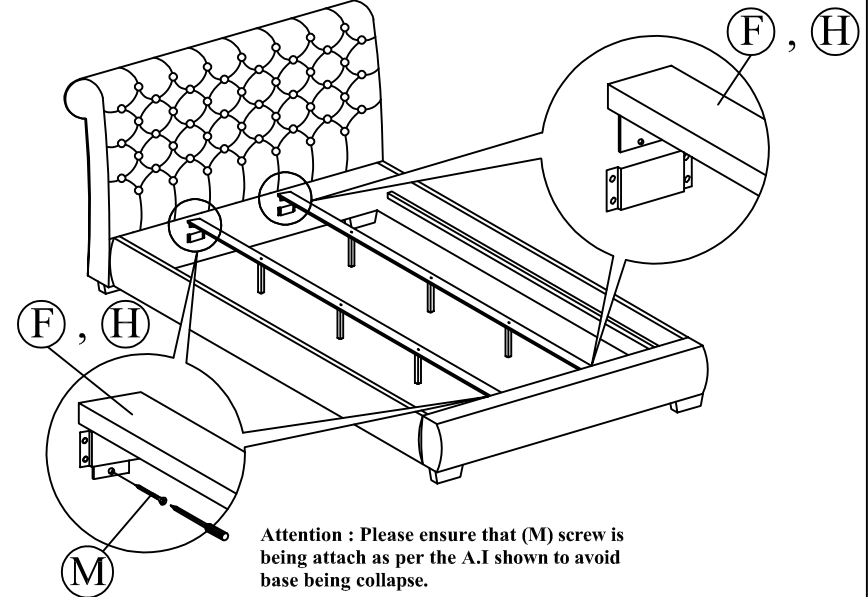
Step 2 : Attach side rail (G) to footboard (B) and headboard (A) by pushing the bracket down to fit it.



Step 3 : Attach the support legs (D) to the center rail (F,H) of the bed as shown.



Step 4 : Slide the center rail (F,H) to the headboard (A) and footboard (B). Tighten screws (M) using screw driver (not included) to the headboard (A) and footboard (B).



Step 5 : Affix the Slat (E) to the side rail support wood and the center rail (F,H). Tighten all the 4 corner.

