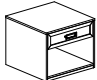





ASSEMBLY INSTRUCTION

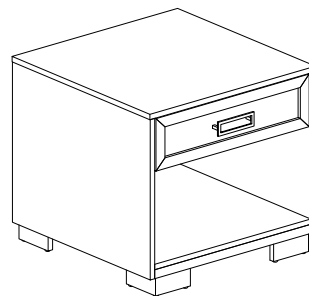
ITEM : 4600-02 END TABLE

BOX OF END TABLE PART LIST

ITEM	DRAWING	DESCRIPTION	QTY
A		END TABLE	1 PC
B		LEG	4 PCS

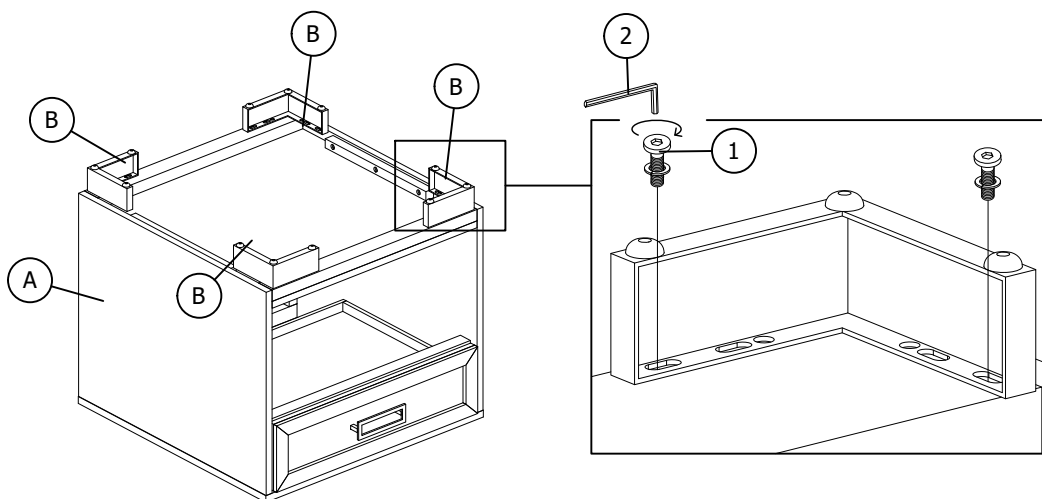
BOX OF END TABLE HARDWARE LIST

ITEM	DRAWING	DESCRIPTION	QTY
1		JCBC SCREW M6 x 15MM	8 PCS
2		ALLEN KEY M4 x 65MM	1 PC



COMPLETED ASSEMBLY

STEP 1



THE HARDWARE IS LOCATED IN THE PACKING ITEMS

PAGE 01 OF 01

NOTE : MUST TIGHTEN SCREWS PERIODICALLY. WITH USE SCREWS MAY BECOME LOOSE.
CHECK TIGHTNESS OF ALL SCREWS EVERY 6-8 WEEKS.

MADE IN MALAYSIA