

ASSEMBLY INSTRUCTION

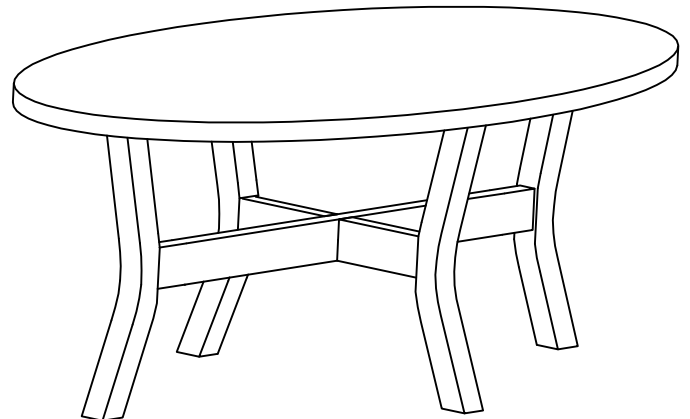
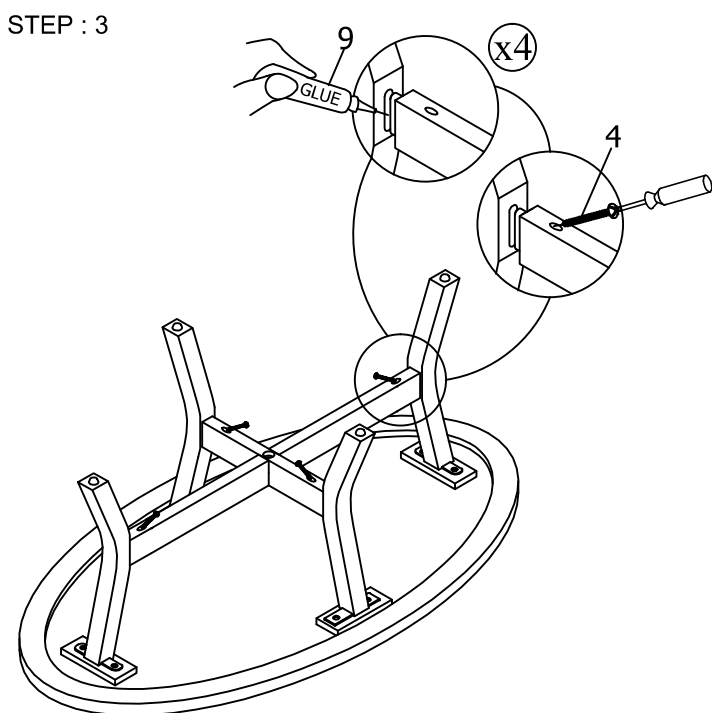
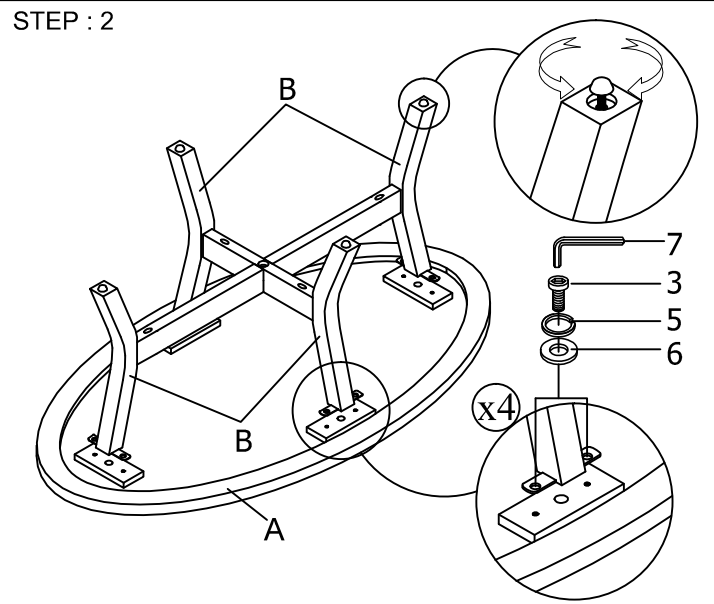
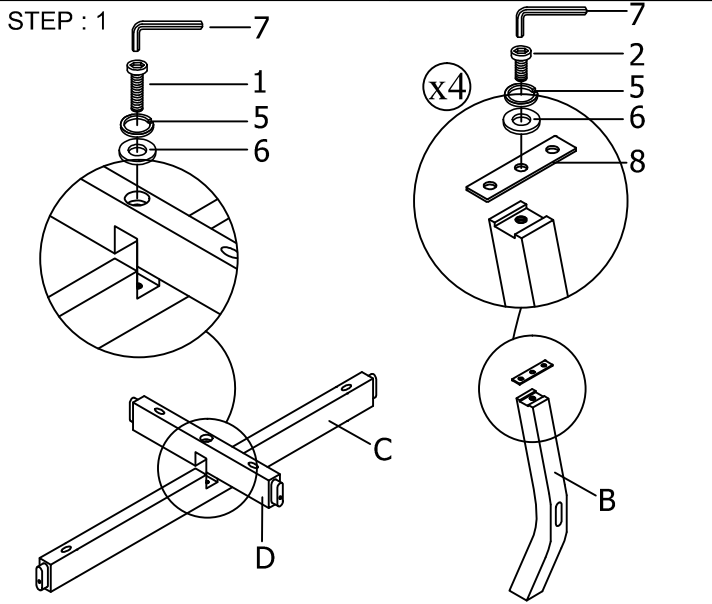
JUDSON 3- PK COCKTAIL SET

4248SET

PARTS LIST		
No.	PART	Q'TY
A	COFFEE TABLE TOP	1
B	COFFEE TABLE LEG	4
C	COFFEE TOP STRETCHER	1
D	COFFEE BOTTOM STRETCHER	1
E	END TABLE TOP	2
F	END TABLE LEG	8
G	END TOP STRETCHER	2
H	END BOTTOM STRETCHER	2

HARDWARE LIST			
NO.	DESCRIPTION		Q'TY
1	ALLEN BOLT (1/4" x 38mm)	COFFEE TABLE	1
2	ALLEN BOLT (1/4" x 25mm)		4
3	ALLEN BOLT (1/4" x 15mm)		8
4	SCREW 50mm		4
5	SPRING WASHER (1/4 ")		13
6	FLAT WASHER (1/4 ")		13
7	ALLEN KEY M4 x 65mm		1
8	CONNECTION TOOL		4
9	GLUE		1
1	ALLEN BOLT (1/4" x 38mm)	END TABLE	2
2	ALLEN BOLT (1/4" x 25mm)		8
3	ALLEN BOLT (1/4" x 15mm)		16
4	SCREW 50mm		8
5	SPRING WASHER (1/4 ")		26
6	FLAT WASHER (1/4 ")		26
7	ALLEN KEY M4 x 65mm		1
8	CONNECTION TOOL		8
9	GLUE		1

TOOLS REQUIRED (NOT PROVIDED)



Note: Do not fully tighten any bolts until last step

ASSEMBLY INSTRUCTION

JUDSON 3- PK COCKTAIL SET

4248SET

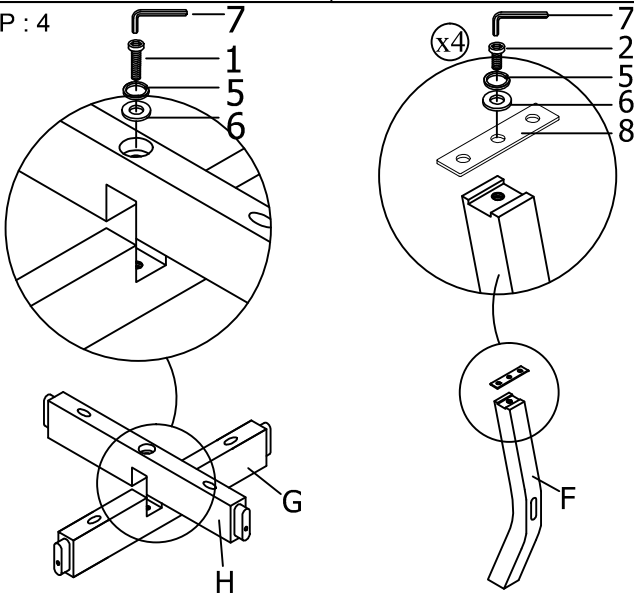
PARTS LIST		
No.	PART	Q'TY
A	COFFEE TABLE TOP	1
B	COFFEE TABLE LEG	4
C	COFFEE TOP STRETCHER	1
D	COFFEE BOTTOM STRETCHER	1
E	END TABLE TOP	2
F	END TABLE LEG	8
G	END TOP STRETCHER	2
H	END BOTTOM STRETCHER	2

HARDWARE LIST				
NO.	DESCRIPTION		Q'TY	
1	ALLEN BOLT (1/4" x 38mm)	COFFEE TABLE	1	
2	ALLEN BOLT (1/4" x 25mm)		4	
3	ALLEN BOLT (1/4" x 15mm)		8	
4	SCREW 50mm		4	
5	SPRING WASHER (1/4 ")		13	
6	FLAT WASHER (1/4 ")		13	
7	ALLEN KEY M4 x 65mm		1	
8	CONNECTION TOOL		4	
9	GLUE		1	
1	ALLEN BOLT (1/4" x 38mm)		END TABLE	2
2	ALLEN BOLT (1/4" x 25mm)			8
3	ALLEN BOLT (1/4" x 15mm)			16
4	SCREW 50mm			8
5	SPRING WASHER (1/4 ")	26		
6	FLAT WASHER (1/4 ")	26		
7	ALLEN KEY M4 x 65mm	1		
8	CONNECTION TOOL	8		
9	GLUE	1		

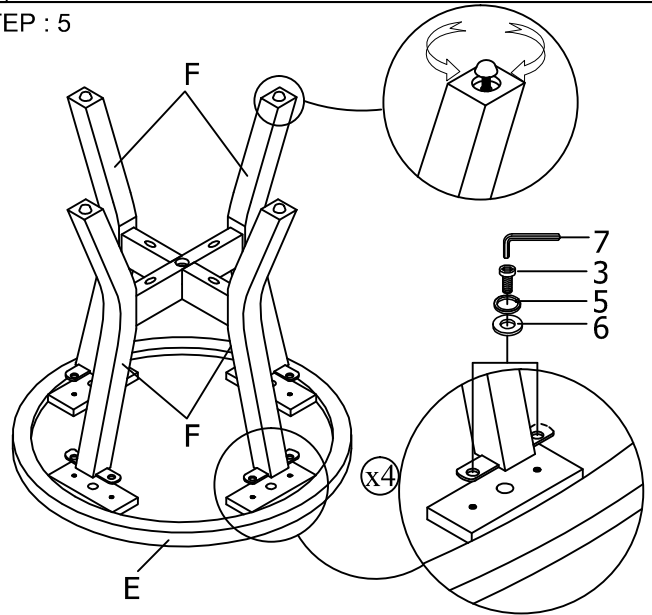
TOOLS REQUIRED (NOT PROVIDED)



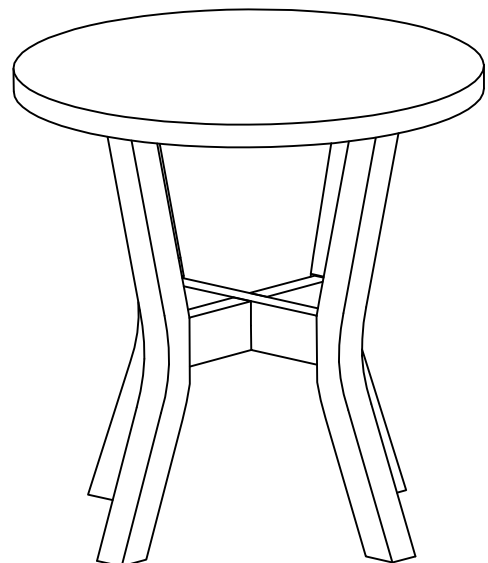
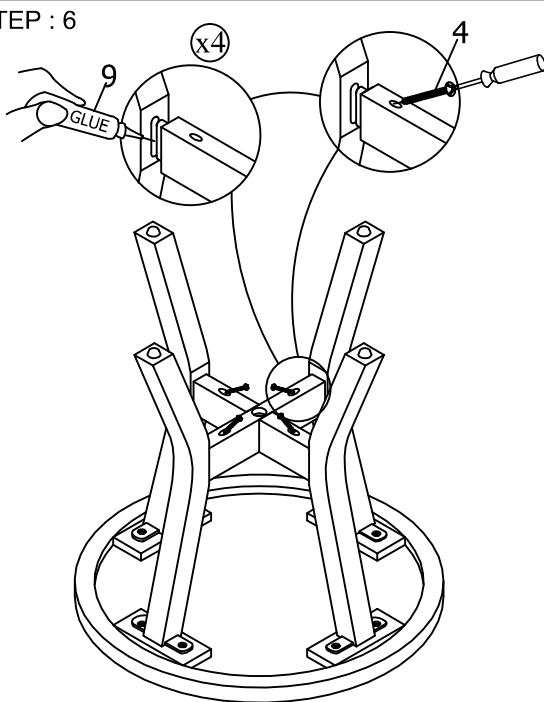
STEP : 4



STEP : 5



STEP : 6



Note: Do not fully tighten any bolts until last step