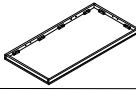
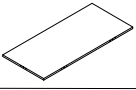
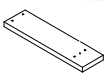



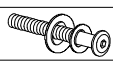
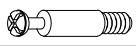


# ASSEMBLY INSTRUCTION INSTRUCCIONES

# 4230SET COFFEE TABLE 4230SET MESA DE CENTRO

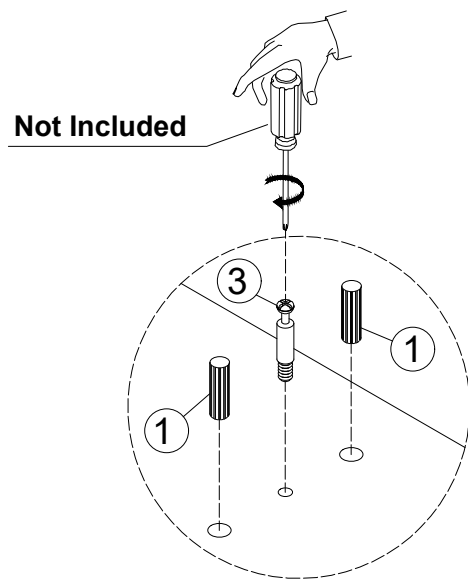
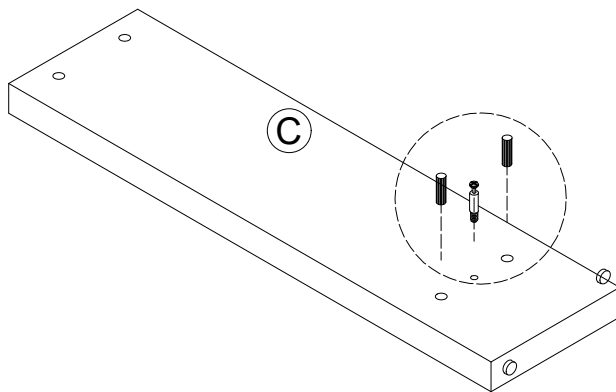
## PARTS LIST

A	COFFEE TABLE TOP		1
B	COFFEE TABLE SHELF		1
C	COFFEE TABLE LEG		6

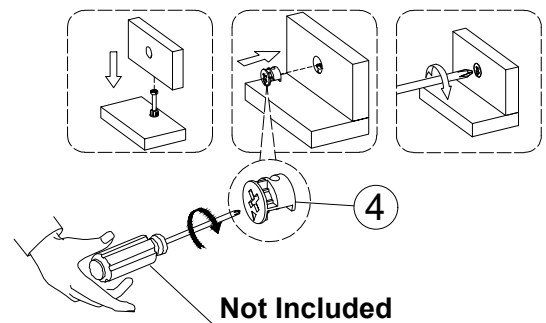
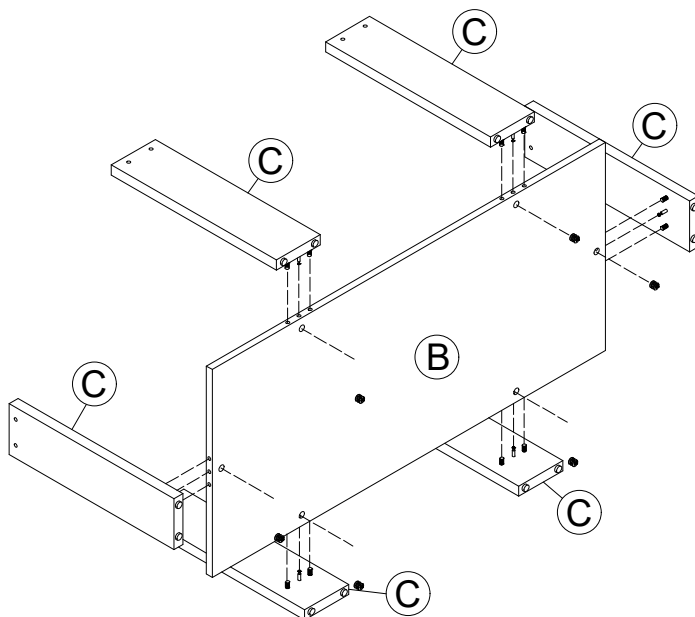
## HARDWARE LIST

1	WOOD DOWEL (8x30mm)		12
2	BOLT Ø1/4"-20x 1-9/16"		12
3	CAM BOLT		6
4	CAM LOCK		6
5	ALLEN WRENCH		1

### STEP 1/ PASO 1



### STEP 2/ PASO 2

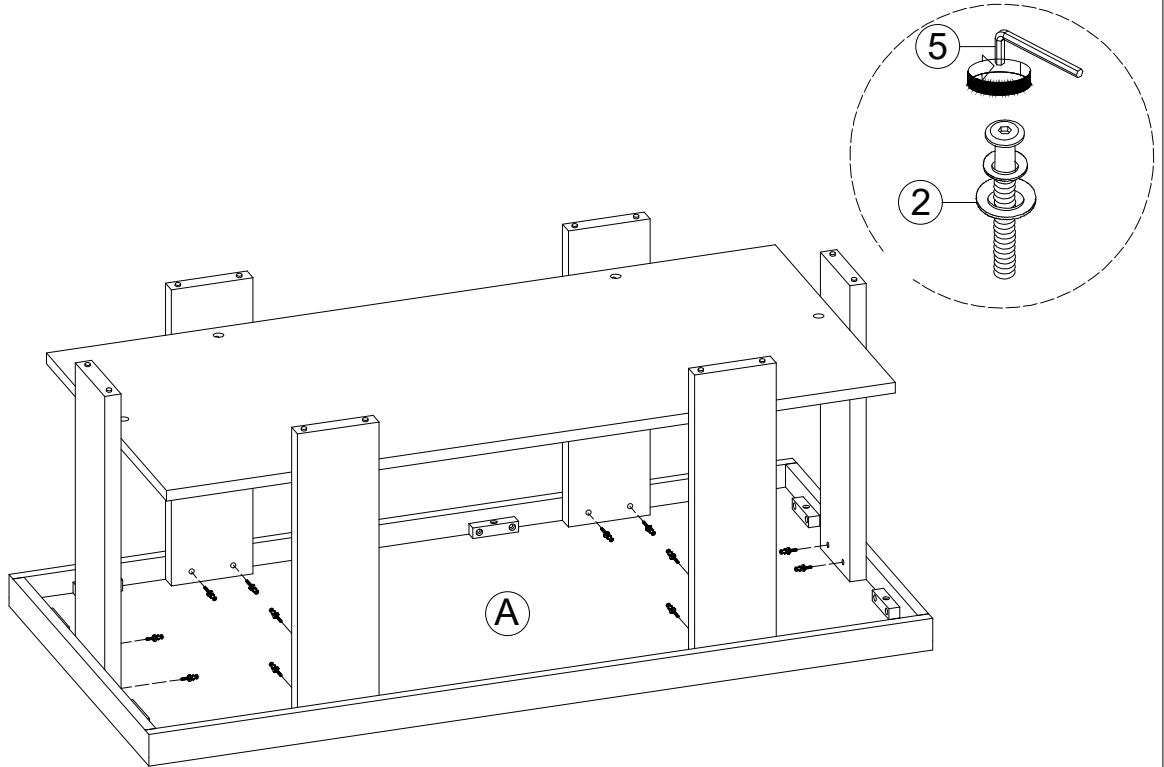


**DO NOT TIGHTEN ALL BOLTS UNTIL COMPLETELY ASSEMBLED.  
NO APRETAR LOS TORNILLOS HASTA ARMAR COMPLETAMENTE.**

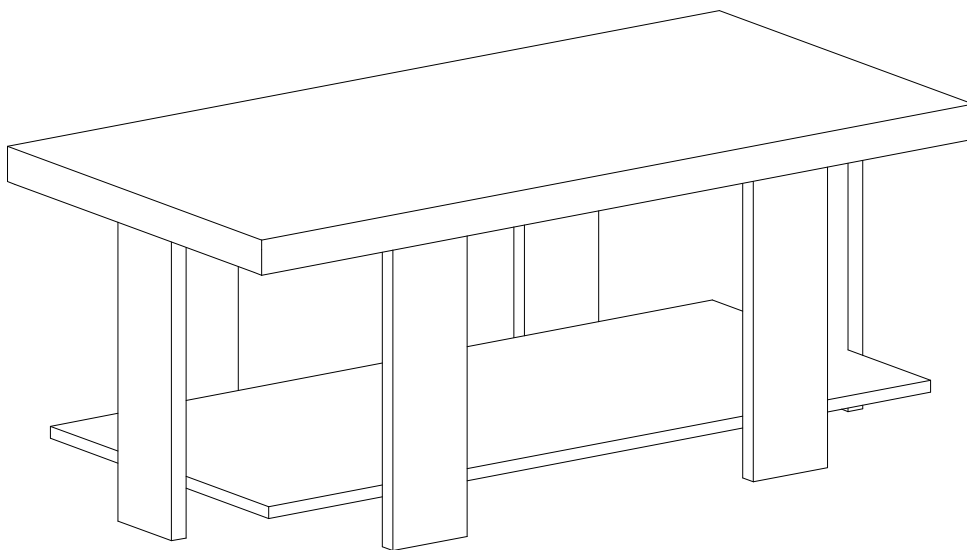
**ASSEMBLY INSTRUCTION**  
**INSTRUCCIONES**

**4230SET COFFEE TABLE**  
**4230SET MESA DE CENTRO**

STEP 3/ PASO3



STEP 4/ PASO 4



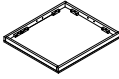
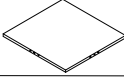
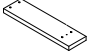
**DO NOT TIGHTEN ALL BOLTS UNTIL COMPLETELY ASSEMBLED.**  
**NO APRETAR LOS TORNILLOS HASTA ARMAR COMPLETAMENTE.**



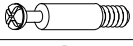


# ASSEMBLY INSTRUCTION INSTRUCCIONES

# 4230SET END TABLE 4230SET MESA LATERAL

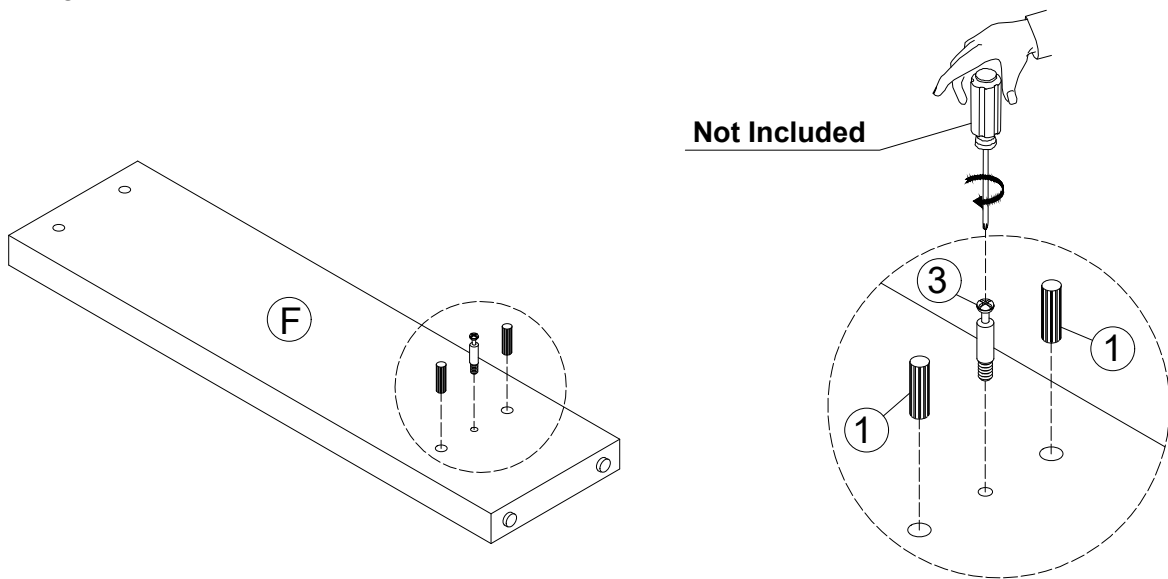
## PARTS LIST

## HARDWARE LIST

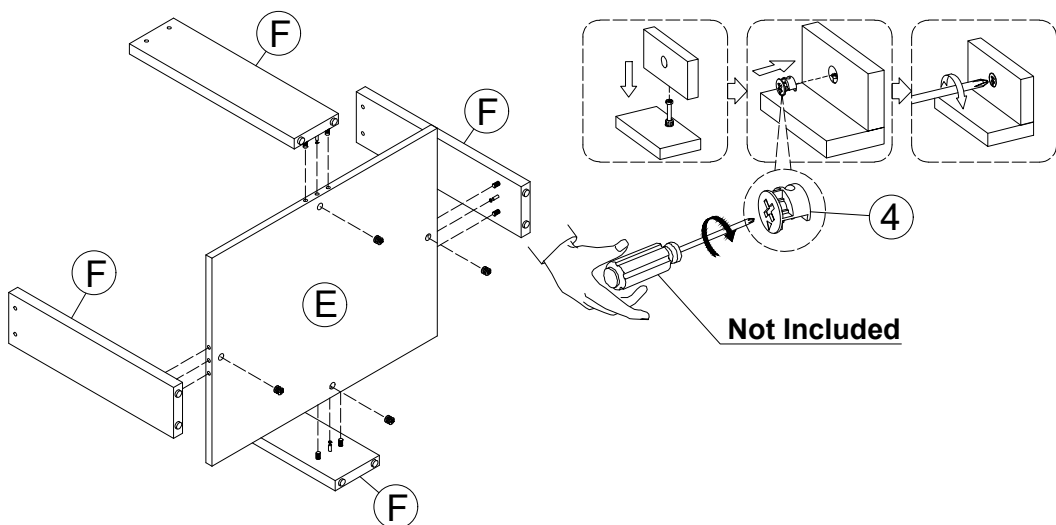
D	END TABLE TOP		1
E	END TABLE SHELF		1
F	END TABLE LEG		4

1	WOOD DOWEL (8*30mm)		8
2	BOLT Ø1/4"-20x 1-9/16"		8
3	CAM BOLT		4
4	CAM LOCK		4
5	ALLEN WRENCH		1

### STEP 1/ PASO 1



### STEP 2/ PASO 2

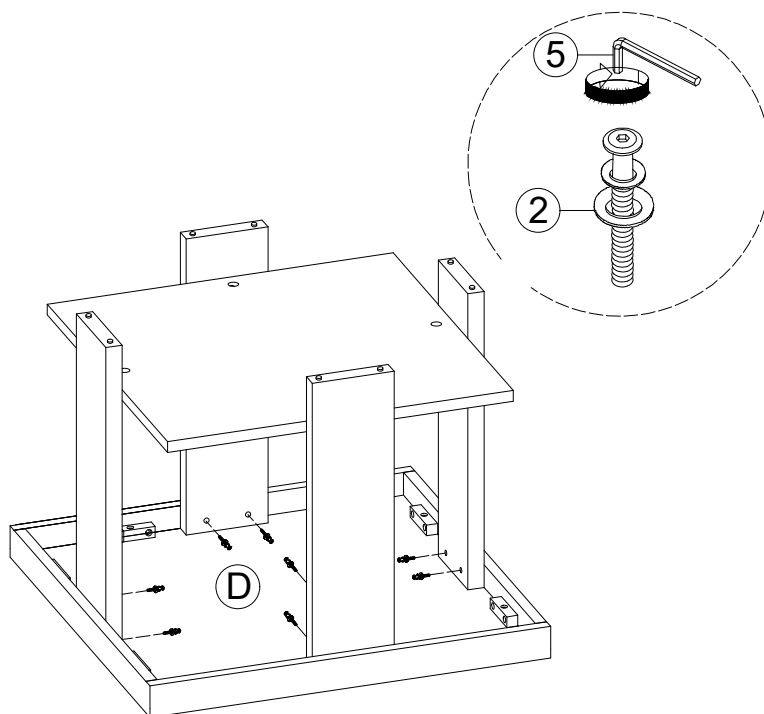


**DO NOT TIGHTEN ALL BOLTS UNTIL COMPLETELY ASSEMBLED.  
NO APRETAR LOS TORNILLOS HASTA ARMAR COMPLETAMENTE.**

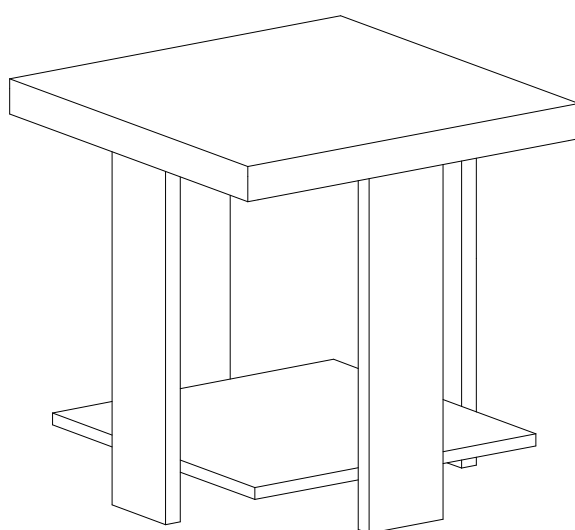
**ASSEMBLY INSTRUCTION  
INSTRUCCIONES**

**4230SET END TABLE  
4230SET MESA LATERAL**

STEP 3/ PASO3



STEP 4/ PASO 4



**DO NOT TIGHTEN ALL BOLTS UNTIL COMPLETELY ASSEMBLED.  
NO APRETAR LOS TORNILLOS HASTA ARMAR COMPLETAMENTE.**