



# ASSEMBLY INSTRUCTIONS

## # 3629EC-PHL

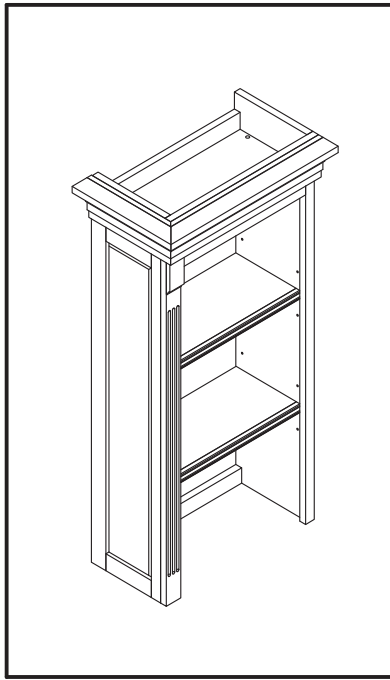
## # 3629EC-PHR

### HARDWARE LIST

NO	SKETCH	HARDWARE	QTY
1		JCBC M6 x 35mm	4 pcs
2		Flat Washer	6 pcs
3		Spring Washer	6 pcs
4		JCBC M6 x 25mm	2 pcs
5		Allen Key	1 pc
6		Screw Ø8 x 2"	1 pc
7		Screw Ø8 x 3/4"	1 pc
8		Metal Anchor	2 pcs
9		Restrain Strap	1 pc
10		Fisher	1 pc

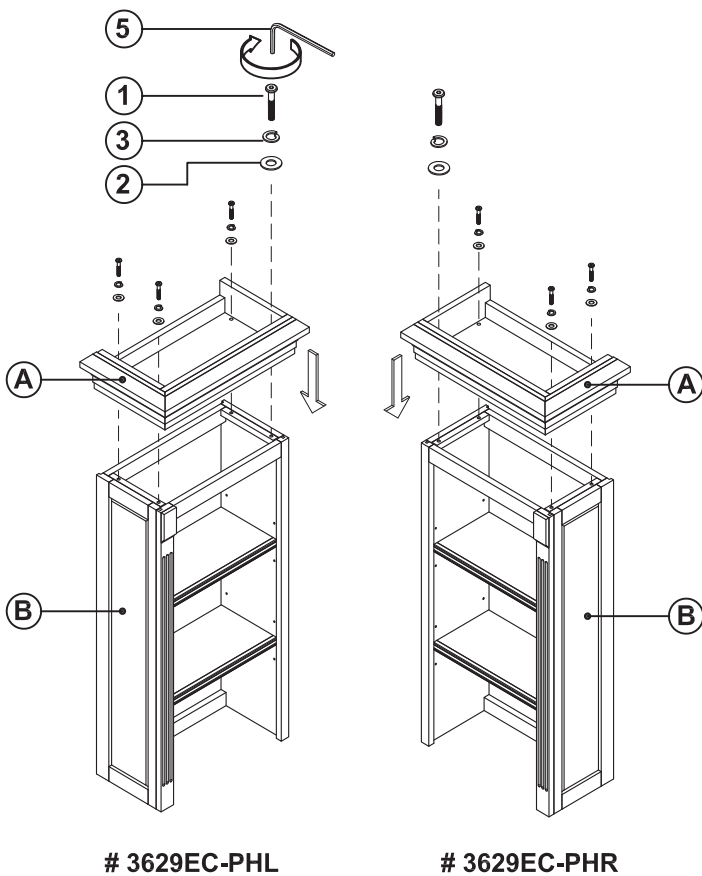
### PART LIST

NO	DESCRIPTION	SKETCH	QTY
A	Crown Left/Right		1 set
B	Pier Hutch Left/Right		1 set
C	Pier Base Left		1 set
		Phillip Headscrew driver (not included)	

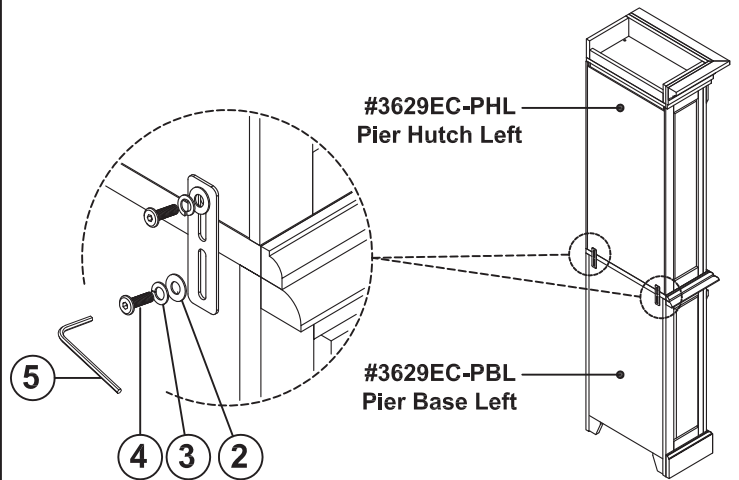


### ASSEMBLY STEP

#### STEP 1



#### STEP 2



#### STEP 3

