



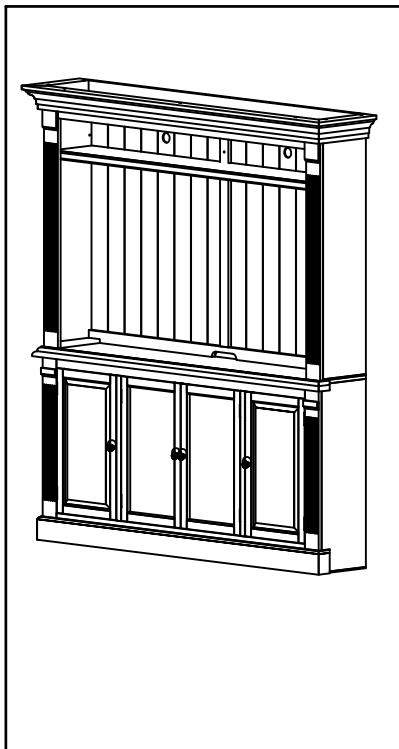
ASSEMBLY INSTRUCTIONS # 3629EC-H

HARDWARE LIST

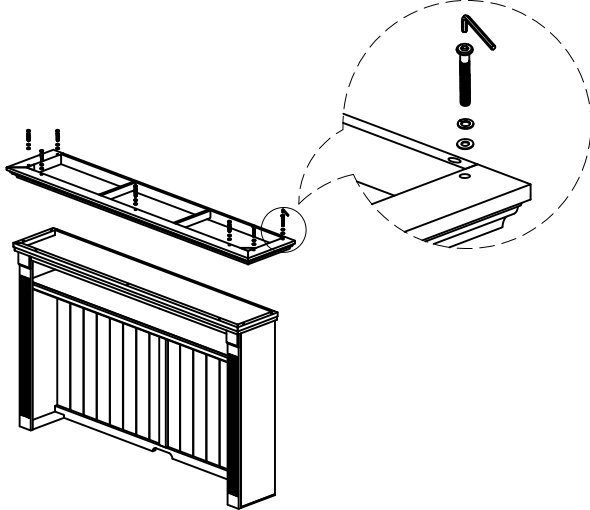
NO	SKETCH	HARDWARE	QTY
1		JCBC M8 x 80mm	7 pcs
2		Flat Washer M 8	7 pcs
3		Spring Washer M8	7 pcs
4		JCBC M6 x 25mm	2 pcs
5		Flat Washer M6	2 pcs
6		Spring Washer M6	2 pcs
7		Allen Key	1 pc
8		Screw Ø8 x 2"	1 pc
9		Screw Ø8 x 3/4"	1 pc
10		Metal Anchor	2 pcs
11		Restrain Strap	1 pc
12		Fisher	1 pc

PART LIST

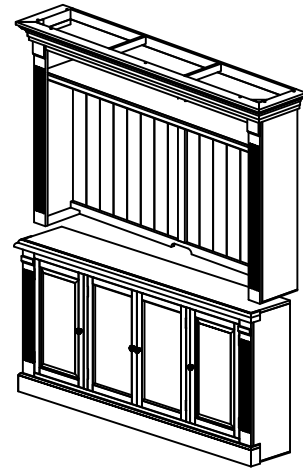
NO	DESCRIPTION	SKETCH	QTY
A	Crown		1 Pc
B	Hutch		1 Pc
C	Console		1 Pc
			Phillip Headscrew driver (not included)



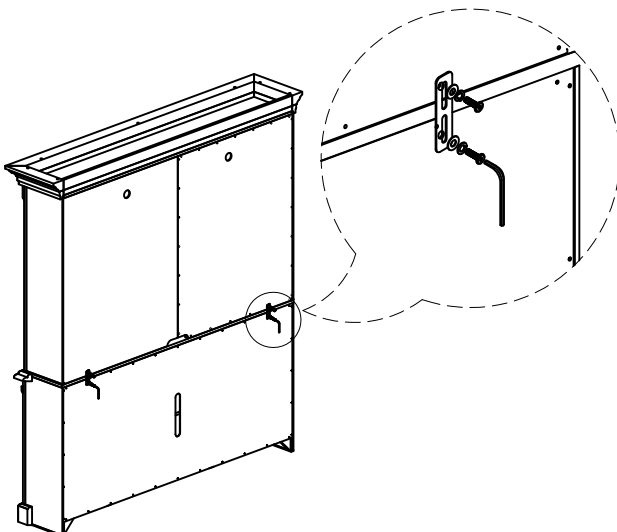
STEP 1



STEP 2



STEP 3



STEP 4

