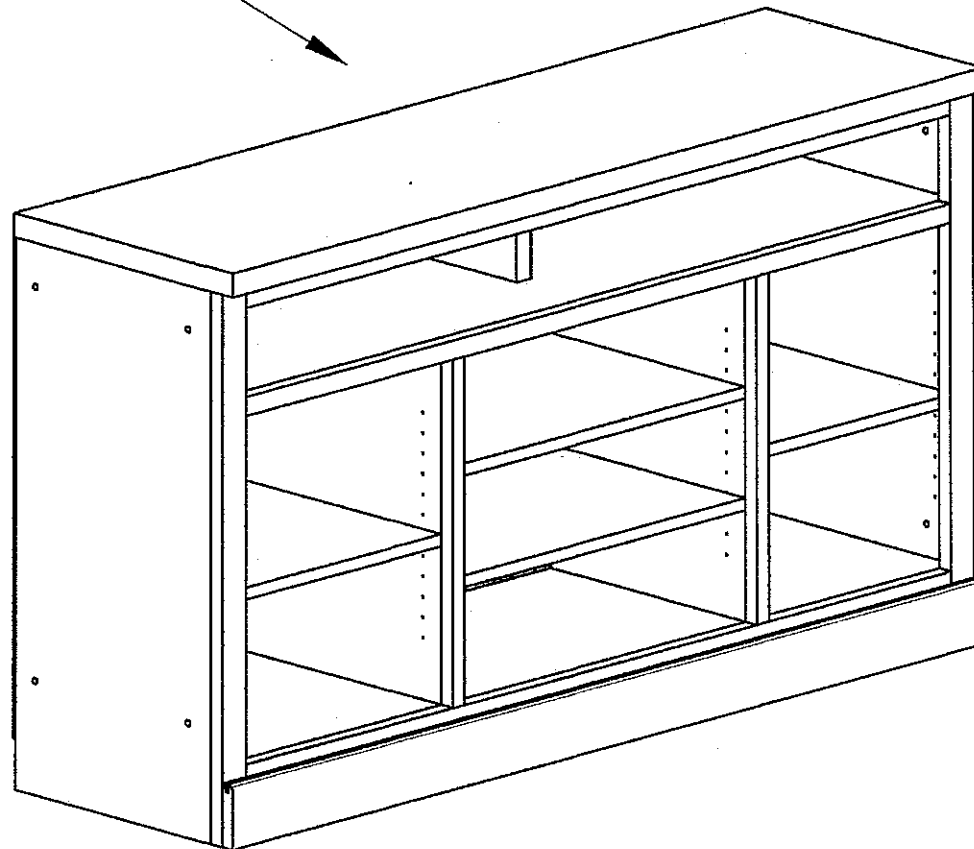
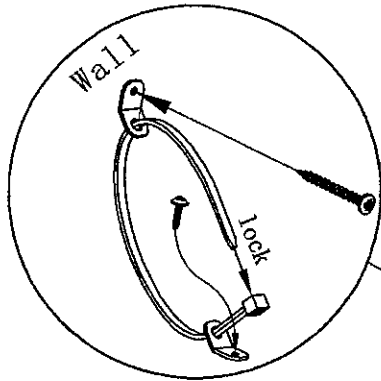


#3599EC-55 Assembly Instruction



SUNNY DESIGNS


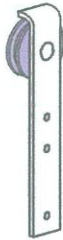

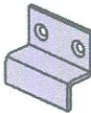

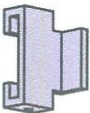










HARDWARE LIST

NO	SKETCH	HARDWARE	QTY
A		Screw Ø8 x 2"	1 Pc
B		Screw Ø8 x 3/4"	1 Pc
C		Metal Anchor	2 Pcs
D		Restrain Strap	1 Pc
E		Fisher	1 Pc
F		Philip Headscrew driver (not included)	

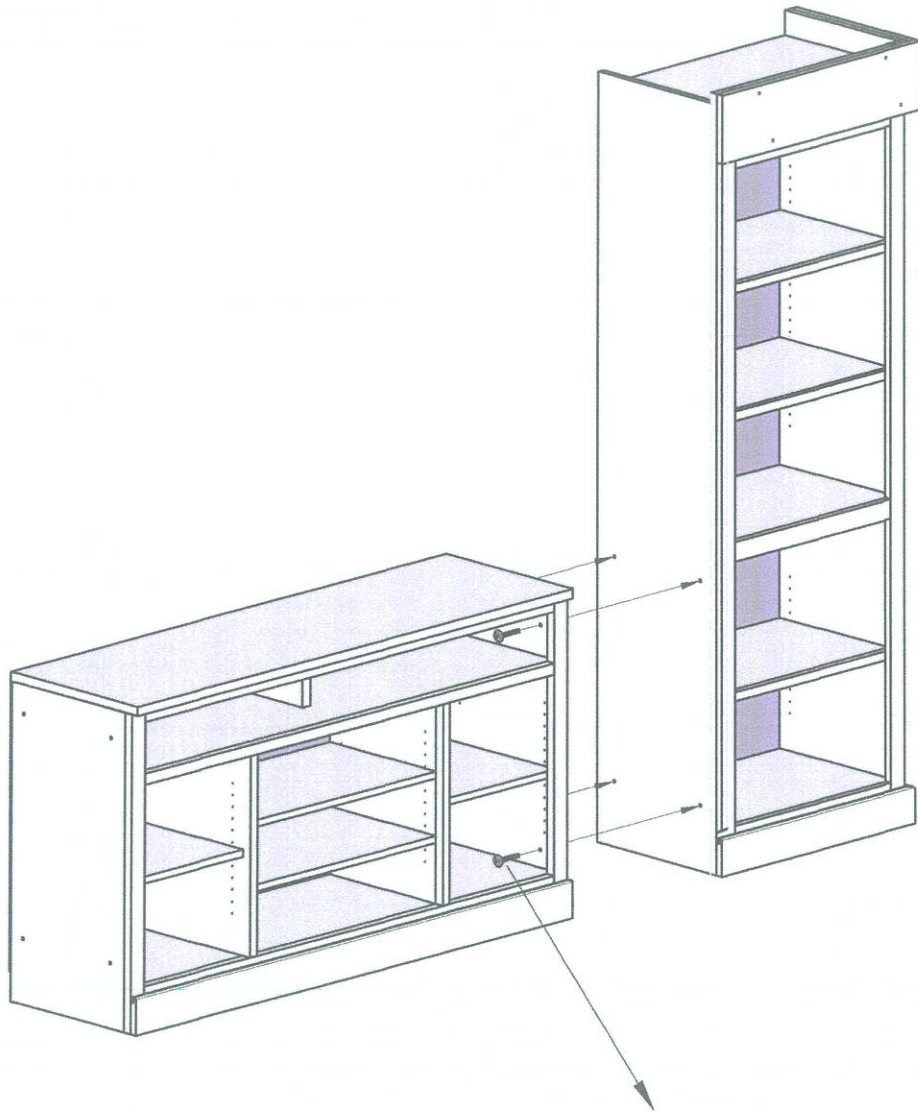


#3599 Hardware List

<p>01  1335mm x 40mm x 5mm = 2 Pcs</p>	<p>07  267mm x 80mm = 4 Pcs</p>
<p>02  D30mm x L15mm = 8 Pcs</p>	<p>08  16mm x 35mm x 40mm = 4 Pcs</p> <p>09  L18mm = 8 Pcs</p>
<p>03  49mm x 28mm x 30mm = 4 Pcs</p>	<p>10  L180mm = 2 Pcs</p> <p>11  L32mm = 4 Pcs</p>
<p>04  JCBC M6 x 50mm = 11 Pcs</p>	<p>12  Anti Type = 4 Pcs</p>
<p>05  JCBC M6 x 35mm = 20 Pcs</p>	<p>13  Allen Key 4 = 1 Pc</p>
<p>06  JCBC M8 x 25mm = 12 Pcs</p>	<p>14  Allen Key 2 = 1 Pc</p>



A

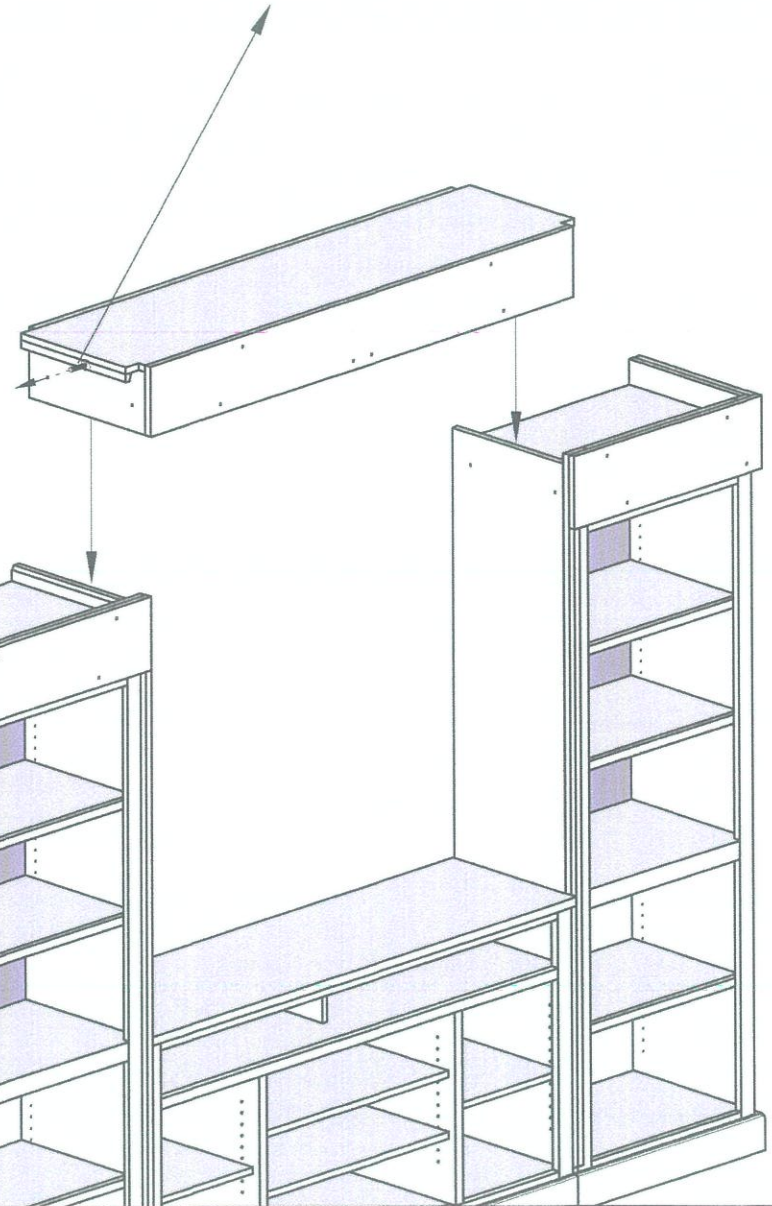


05



JCBC M6 x 35mm = 8 Pcs

B



05



JCBC M6 x 35mm = 4 Pcs



#3599-55\B\D\PL\PR Assembly Instruction <2>

C

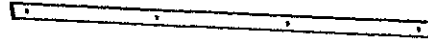
04



JCBC M6 x 50mm = 11 Pcs

D

01



1335mm x 40mm x 5mm = 2 Pcs

02



D30 x L15mm = 8 Pcs

03

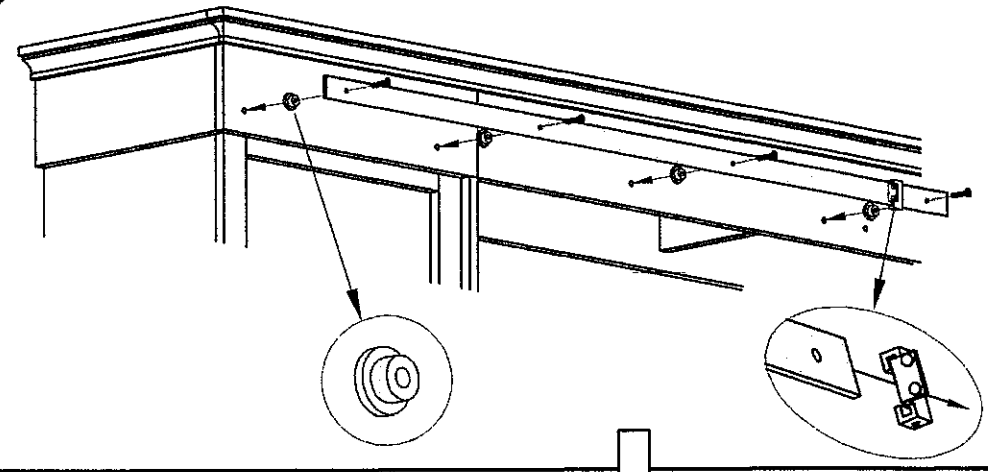
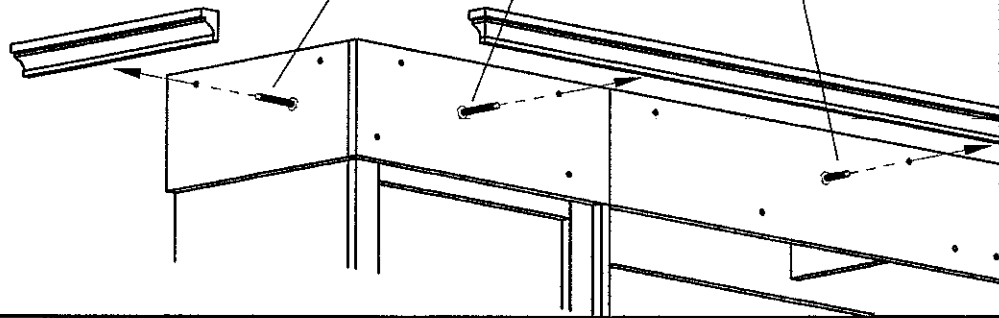


49mm x 28mm x 30mm = 2 Pcs

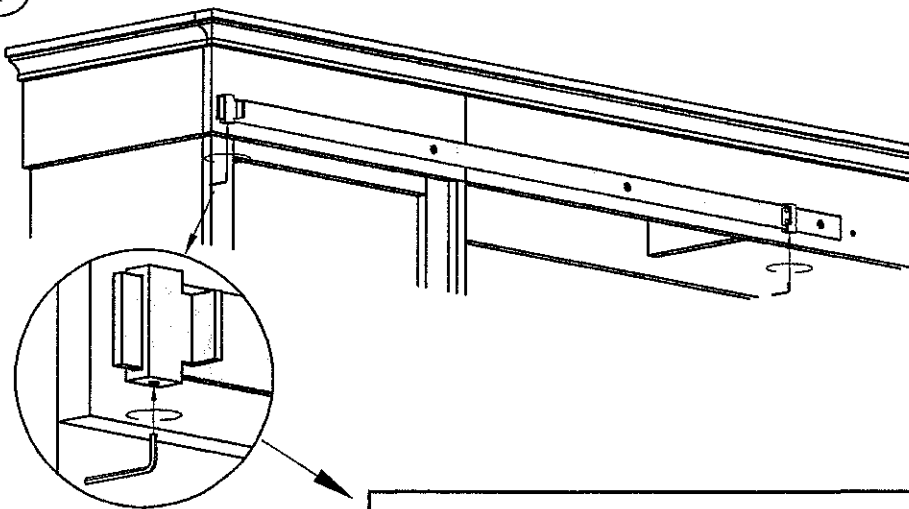
05



JCBC M6 x 35mm = 8 Pcs



F

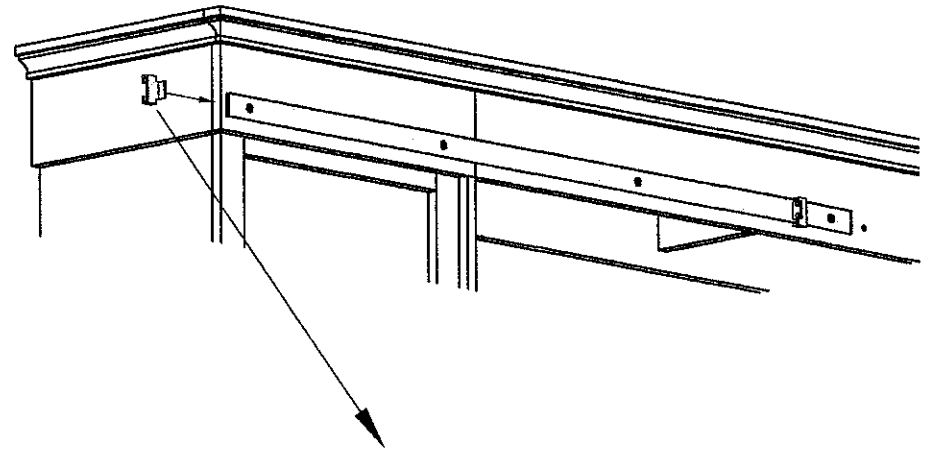


14



D2.5mm x 20mm x 60mm = 1 Pc

E



03

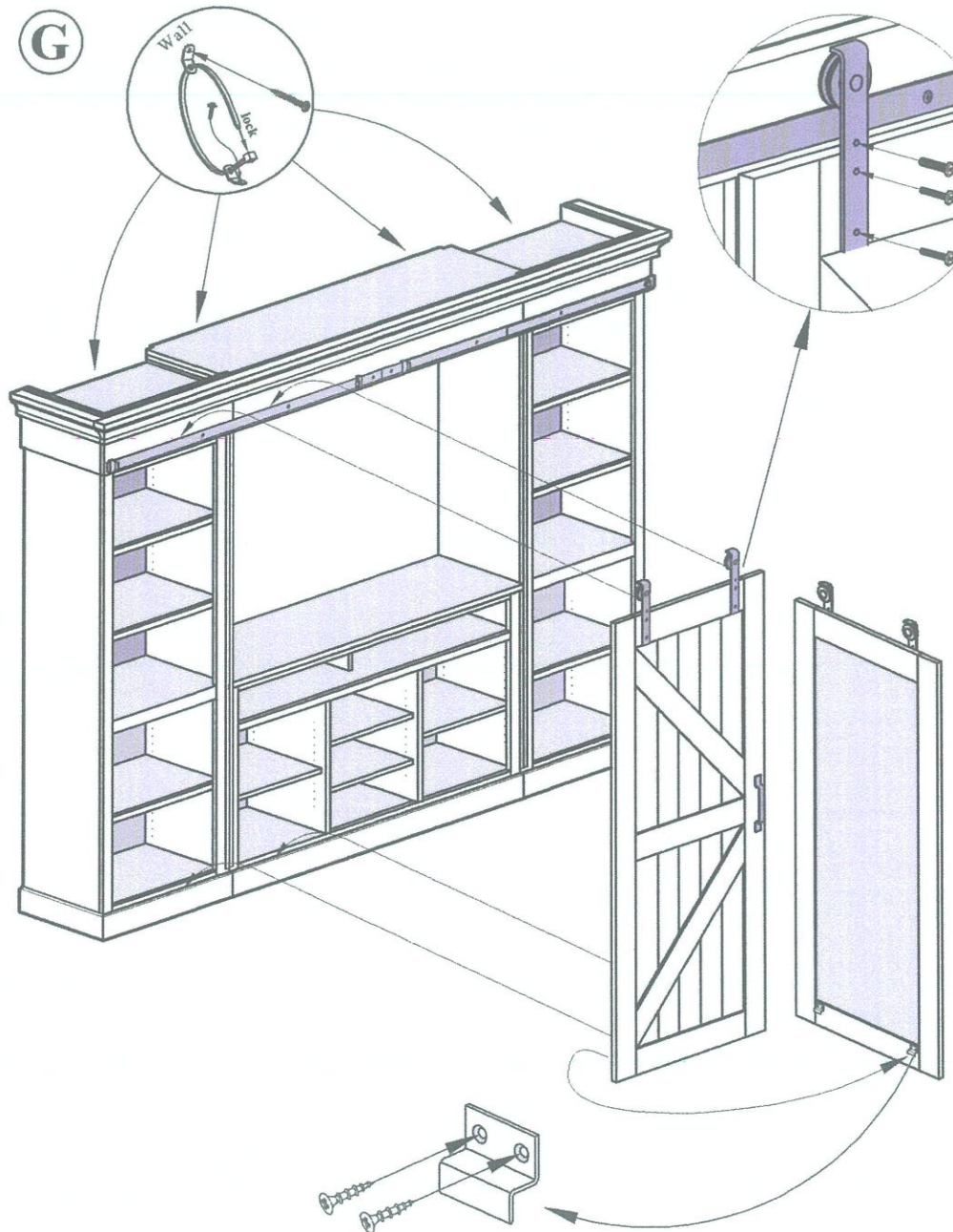


49mm x 28mm x 30mm = 2 Pcs



#3599-55\B\D\PL\PR Assembly Instruction <3>

G



07



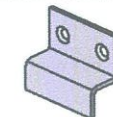
267mm x 80mm = 4 Pcs

06



JCBC M8 x 25mm = 12 Pcs

08



16mm x 35mm x 40mm = 4 Pcs

09



L18mm = 8 Pcs

10



L180mm = 2 Pcs

11



L32mm = 4 Pcs



12



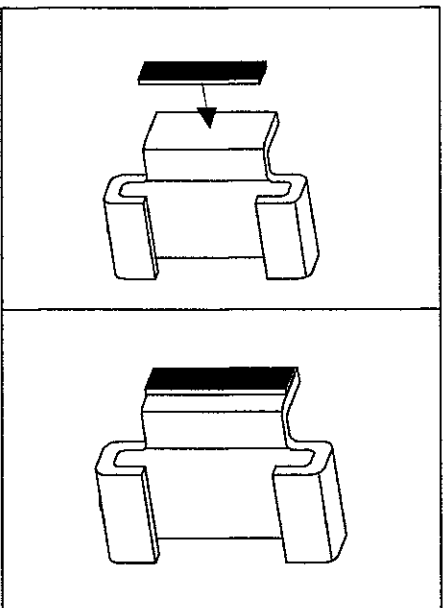
Anti Type = 4 Pcs

ASSEMBLY INSTRUCTION #3599

HARDWARE LIST



NO	SKETCH	HARDWARE	QTY
1		Stopper Rail	4 Pcs
2		Sponge Tape	4 Pcs

ASSEMBLY INSTRUCTION

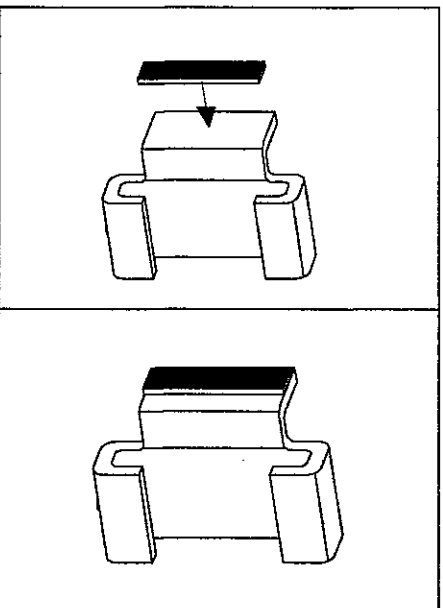


ASSEMBLY INSTRUCTION #3599

HARDWARE LIST



NO	SKETCH	HARDWARE	QTY
1		Stopper Rail	4 Pcs
2		Sponge Tape	4 Pcs

ASSEMBLY INSTRUCTION

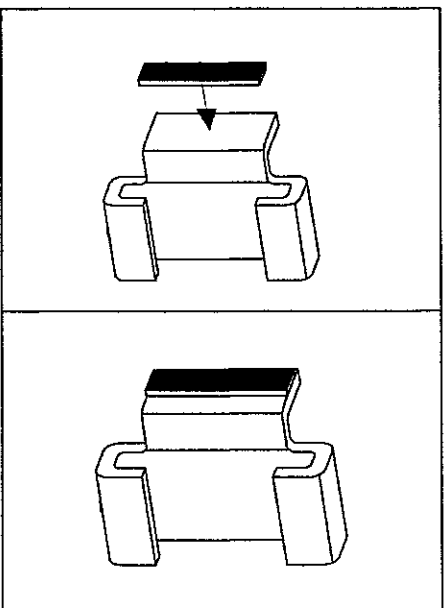


ASSEMBLY INSTRUCTION #3599

HARDWARE LIST



NO	SKETCH	HARDWARE	QTY
1		Stopper Rail	4 Pcs
2		Sponge Tape	4 Pcs

ASSEMBLY INSTRUCTION



ASSEMBLY INSTRUCTION #3599

HARDWARE LIST

NO	SKETCH	HARDWARE	QTY
1		Stopper Rail	4 Pcs
2		Sponge Tape	4 Pcs

ASSEMBLY INSTRUCTION

