



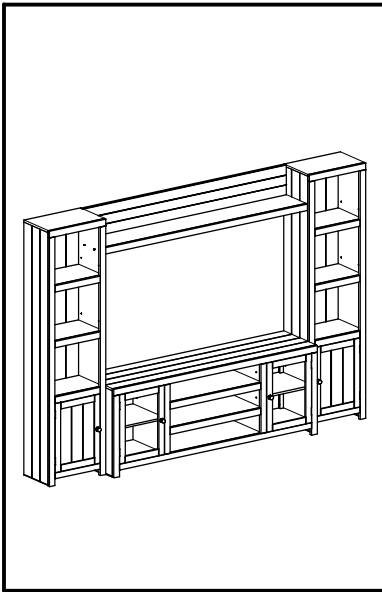
ASSEMBLY INSTRUCTIONS #3573-B

HARDWARE LIST

NO	SKETCH	HARDWARE	QTY
A		JCBC M6 x 35mm	4 pcs
B		Screw Ø8 x 2"	2 pcs
C		Screw Ø8 x 1 1/4"	4 pcs
D		Screw Ø8 x 3/4"	2 pcs
E		Metal Anchor	4 pcs
F		Restrain Strap	2 pcs
G		Fisher	2 pcs
H		Allen Key	1 pc

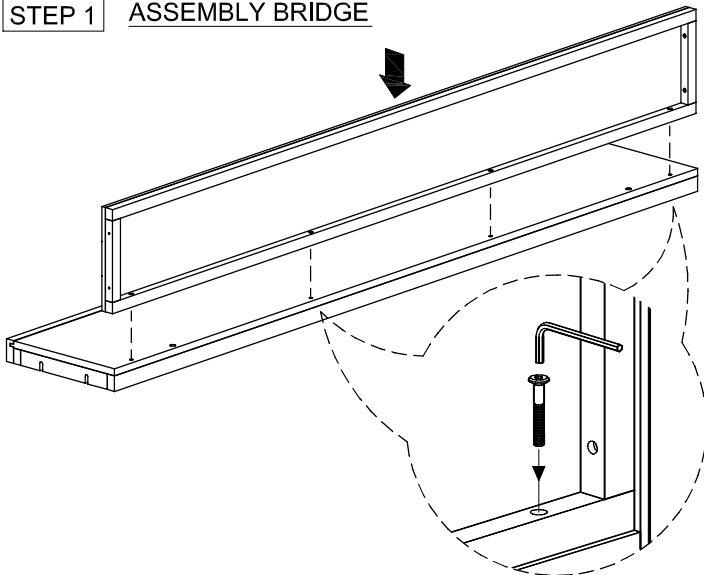
PART LIST

NO	DESCRIPTION	SKETCH	QTY
1	Tv Console		1 pc
2	Pier Left & Right		2 pcs
3	Bridge		1 pc
			Phillip Headscrew driver (not included)

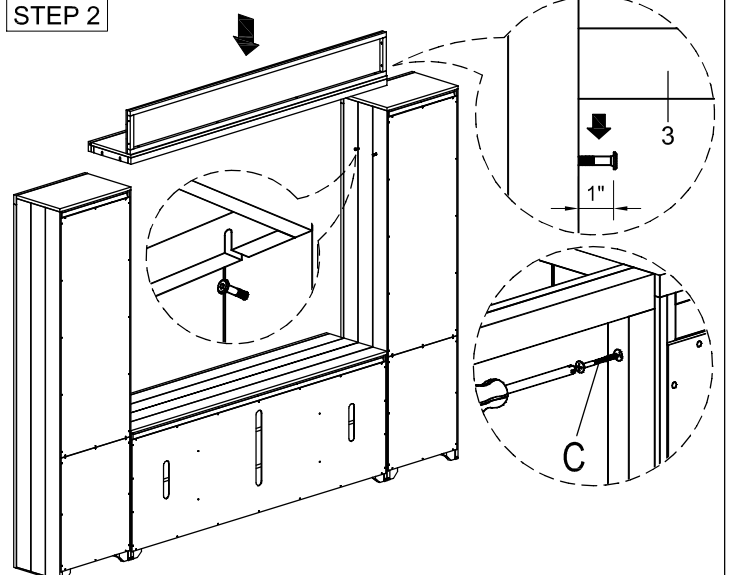


ASSEMBLY STEP

STEP 1 ASSEMBLY BRIDGE



STEP 2



STEP 3

