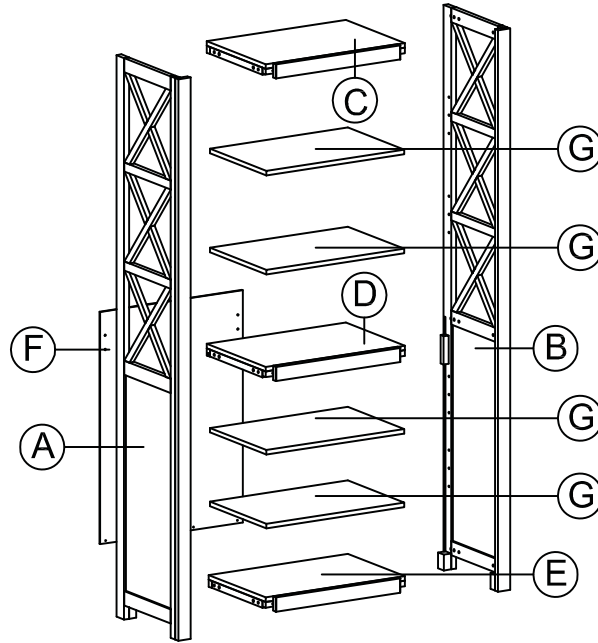


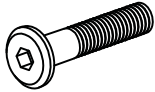


ASSEMBLY INSTRUCTIONS #3563-P

- A 1pc
- B 1pc
- C 1pc
- D 1pc
- E 1pc
- F 1pc
- G 4pcs



H. JCBC M6 x 30mm (12pcs)



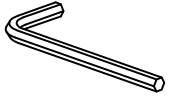
I. Screw Rattan $\frac{3}{4}$ " (12pcs)



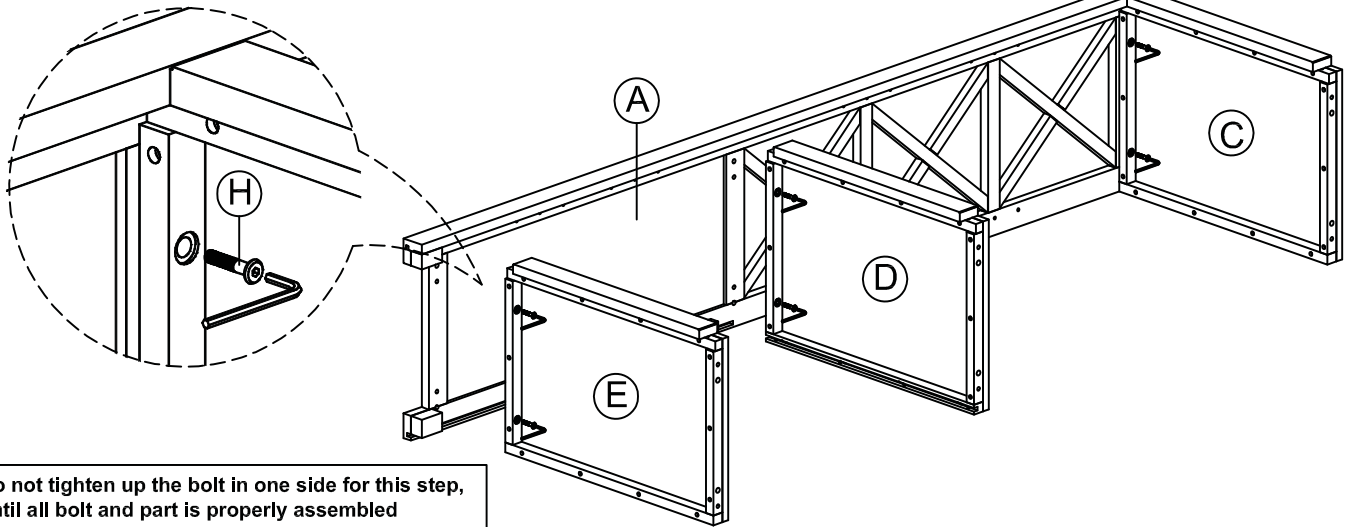
J. Pin Adjustable Shelf (16pcs)



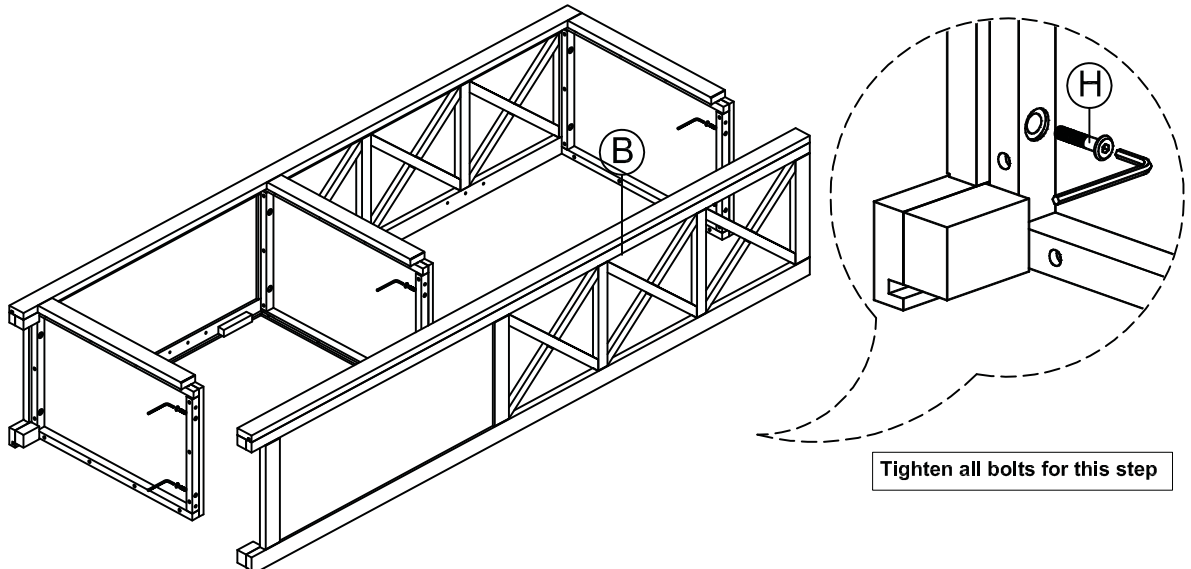
K. Allen Key L4 (1pc)



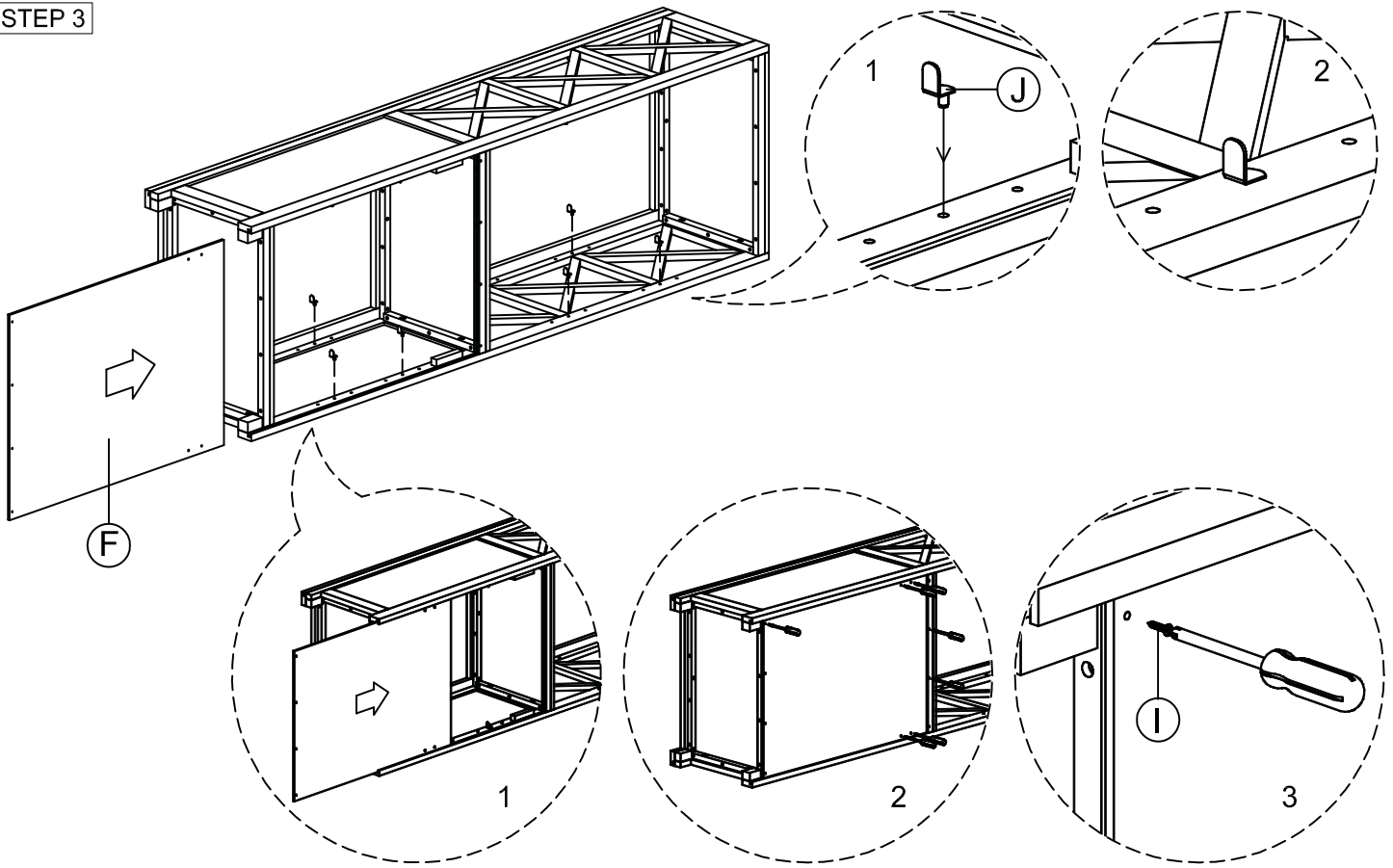
STEP 1



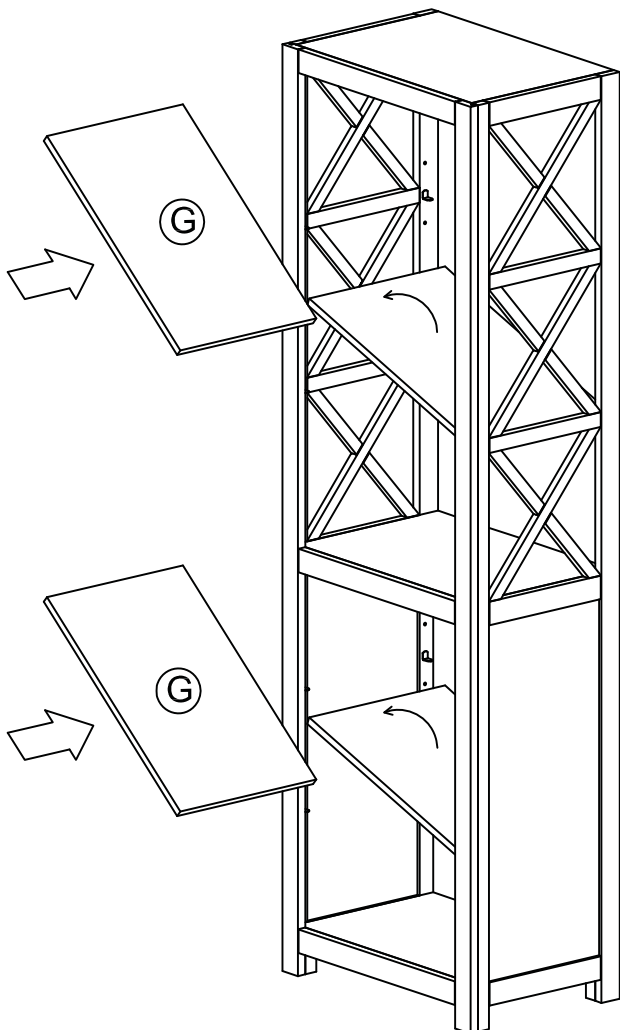
STEP 2



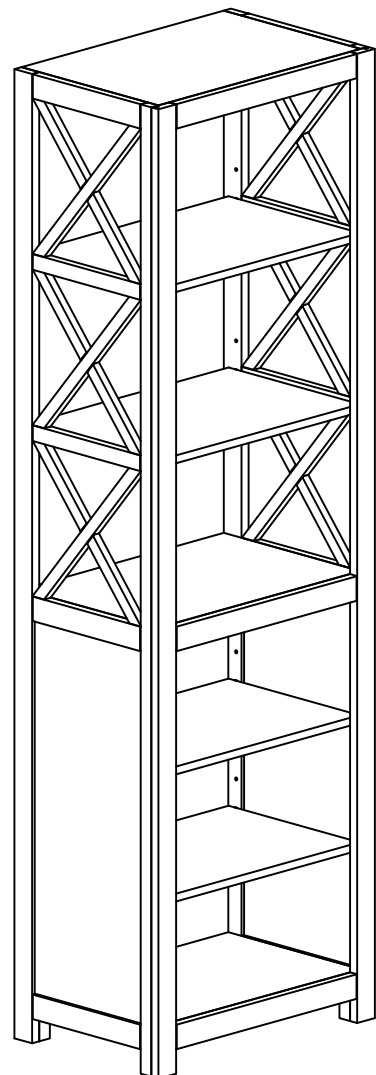
STEP 3



STEP 4



STEP 5











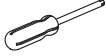
ASSEMBLY INSTRUCTIONS

2315-C - CHEST
 BEFORE YOU START ASSEMBLING
 PLEASE MAKE SURE ALL PARTS & HARDWARE ARE INCLUDED IN BOX :

PART LIST

NO	DESCRIPTION	SKETCH	QTY
1	PIER		1 pc

HARDWARE LIST

NO	SKETCH	HARDWARE	QTY
A		Screw Ø8 x 2"	1 pc
B		Screw Ø8 x 3/4"	1 pc
C		Metal Anchor	2 pcs
D		Restrain Strap	1 pc
E		Fisher	1 pc
F		Phillip Headscrew driver (not included)	

MANDA TORY

