



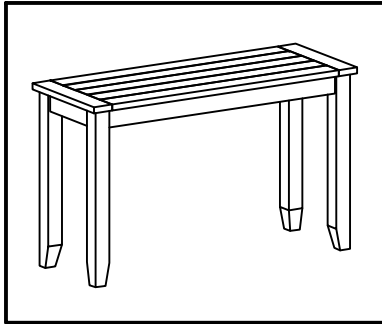
ASSEMBLY INSTRUCTION #3292-S

HARDWARE LIST

NO	SKETCH	HARDWARE	QTY
1		Spring Washer M8	8 pcs
2		Flat Washer	8 pcs
3		Hexagonal Nut M8	8 pcs
4		Wrench Key	1 pc

PART LIST

NO	DESCRIPTION	SKETCH	QTY
A	Top & Body		1 pc
B	Leg		4 pcs



ASSEMBLY STEP

