

HARDWARE LIST

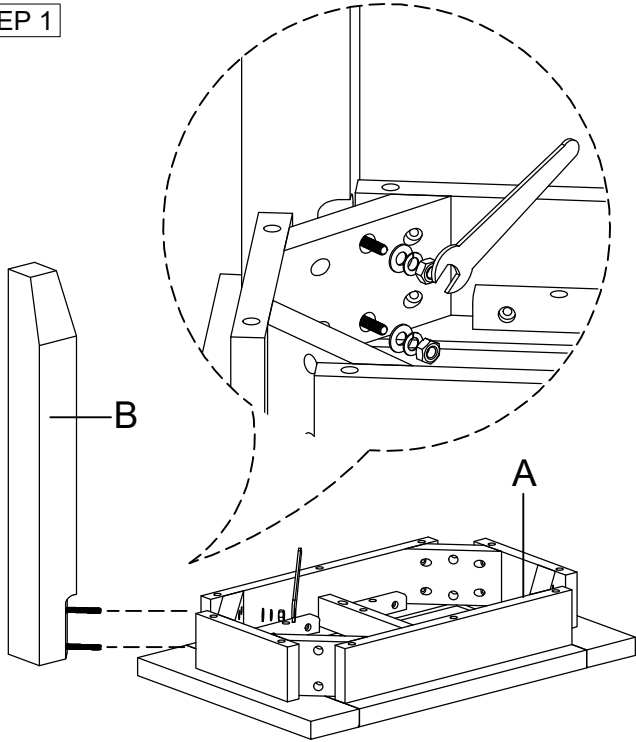
NO	SKETCH	HARDWARE	QTY
1		Spring Washer M8	8 pcs
2		Flat Washer	8 pcs
3		Hexagonal Nut M8	8 pcs
4		Wrench Key	1 pc

PART LIST

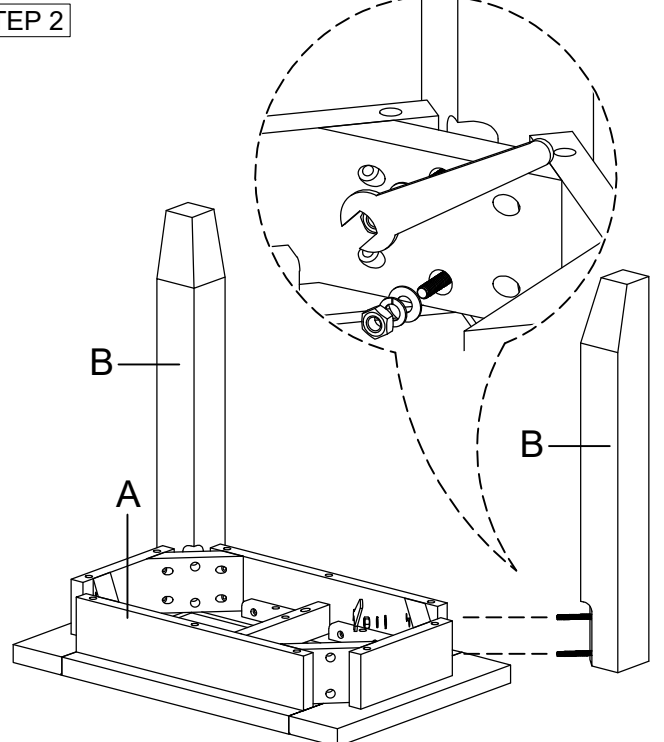
NO	DESCRIPTION	SKETCH	QTY
A	Top & Body		1 pc
B	Leg		4 pcs

ASSEMBLY STEP

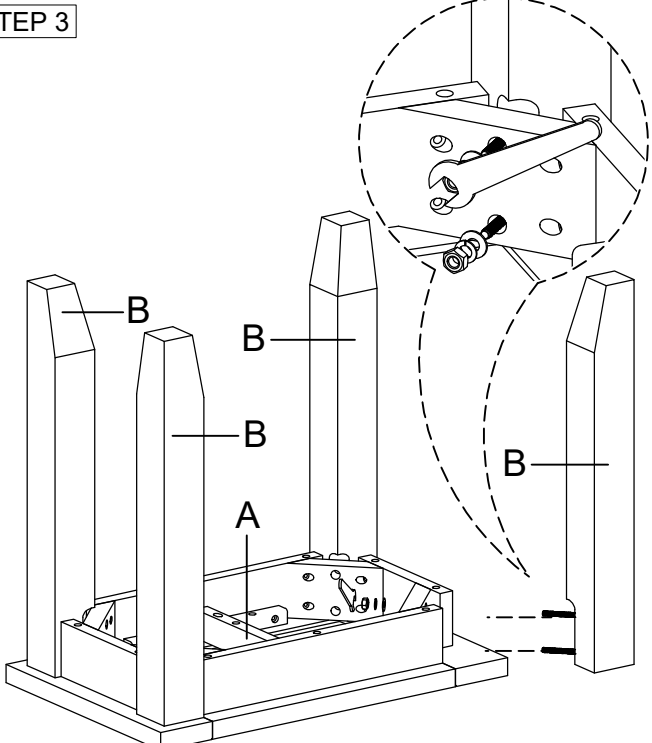
STEP 1



STEP 2



STEP 3



FINISH

