

HARDWARE LIST

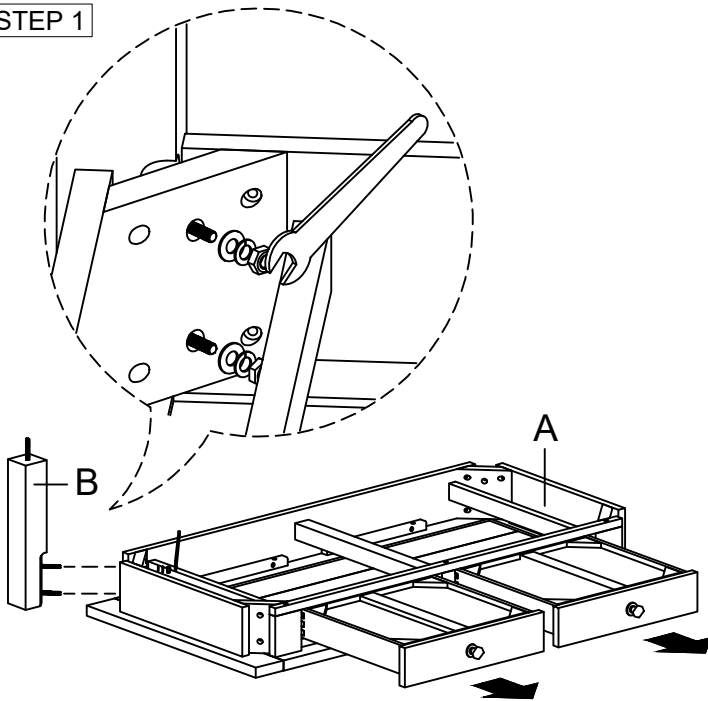
NO	SKETCH	HARDWARE	QTY
1		Spring Washer M8	12 pcs
2		Flat Washer	12 pcs
3		Hexagonal Nut M8	12 pcs
4		Wrench Key	1 pc

PART LIST

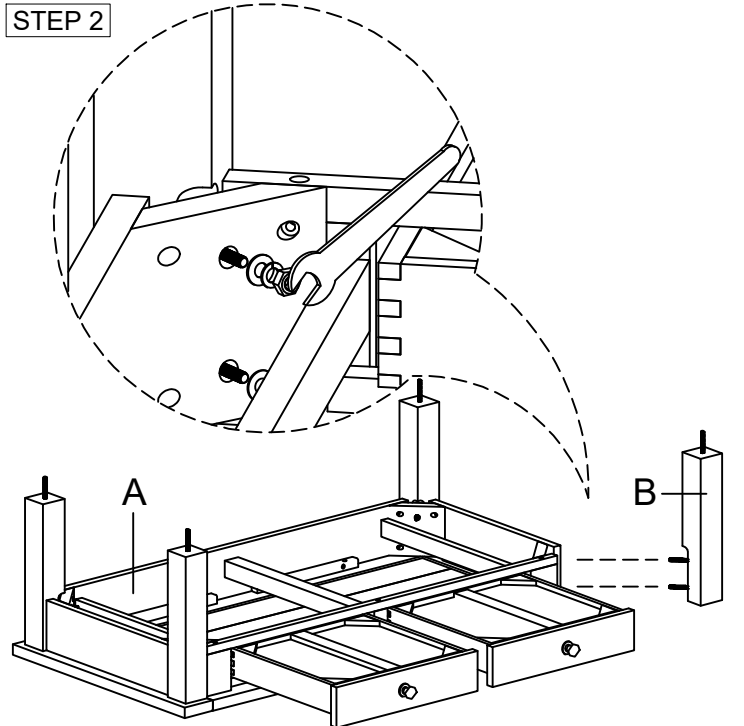
NO	DESCRIPTION	SKETCH	QTY
A	Top & Body		1 pc
B	Leg		4 pcs
C	Shelf		1 pc

ASSEMBLY STEP

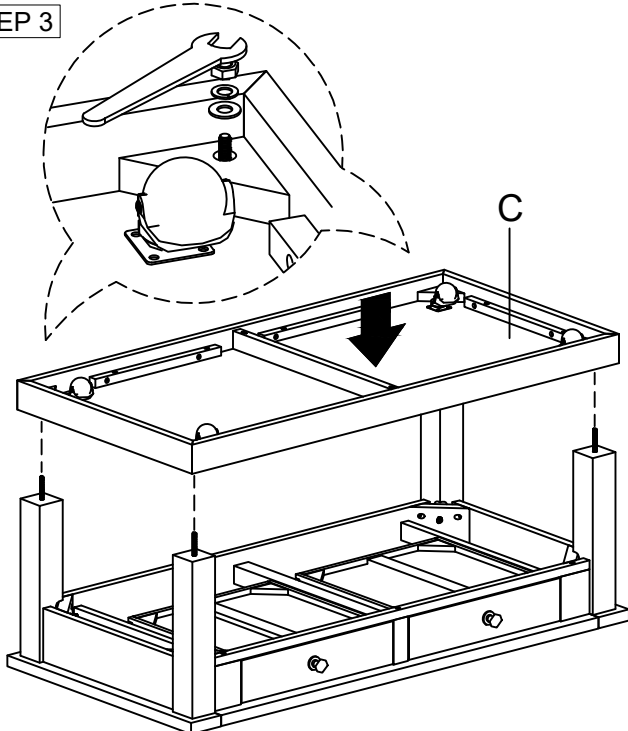
STEP 1



STEP 2



STEP 3



FINISH

