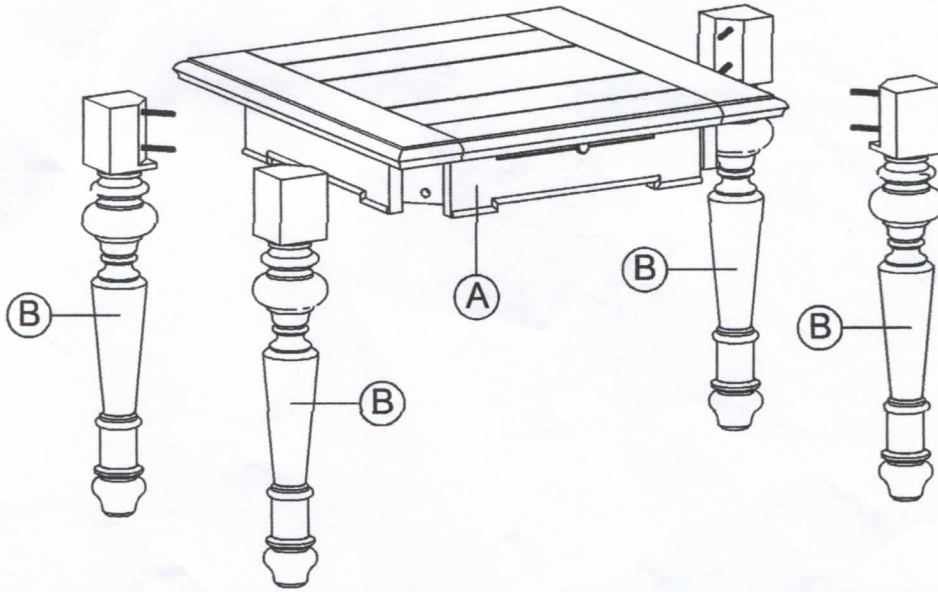




# ASSEMBLY INSTRUCTIONS #3273-E



A 1pc  
B 4pcs

C. Hexagonal Nut M8 ( 8pcs )



D. Spring Washer M8 ( 8pcs )



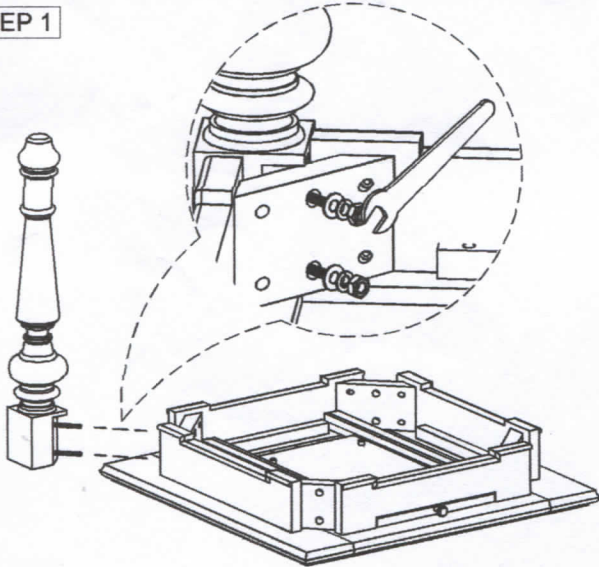
E. Washer Plat M8 ( 8pcs )



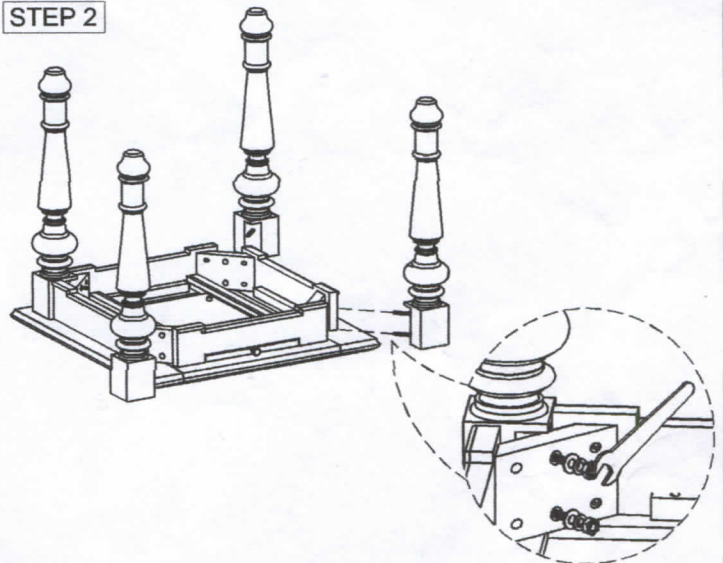
F. Wrench Key ( 1pc )



STEP 1



STEP 2



FINISH

