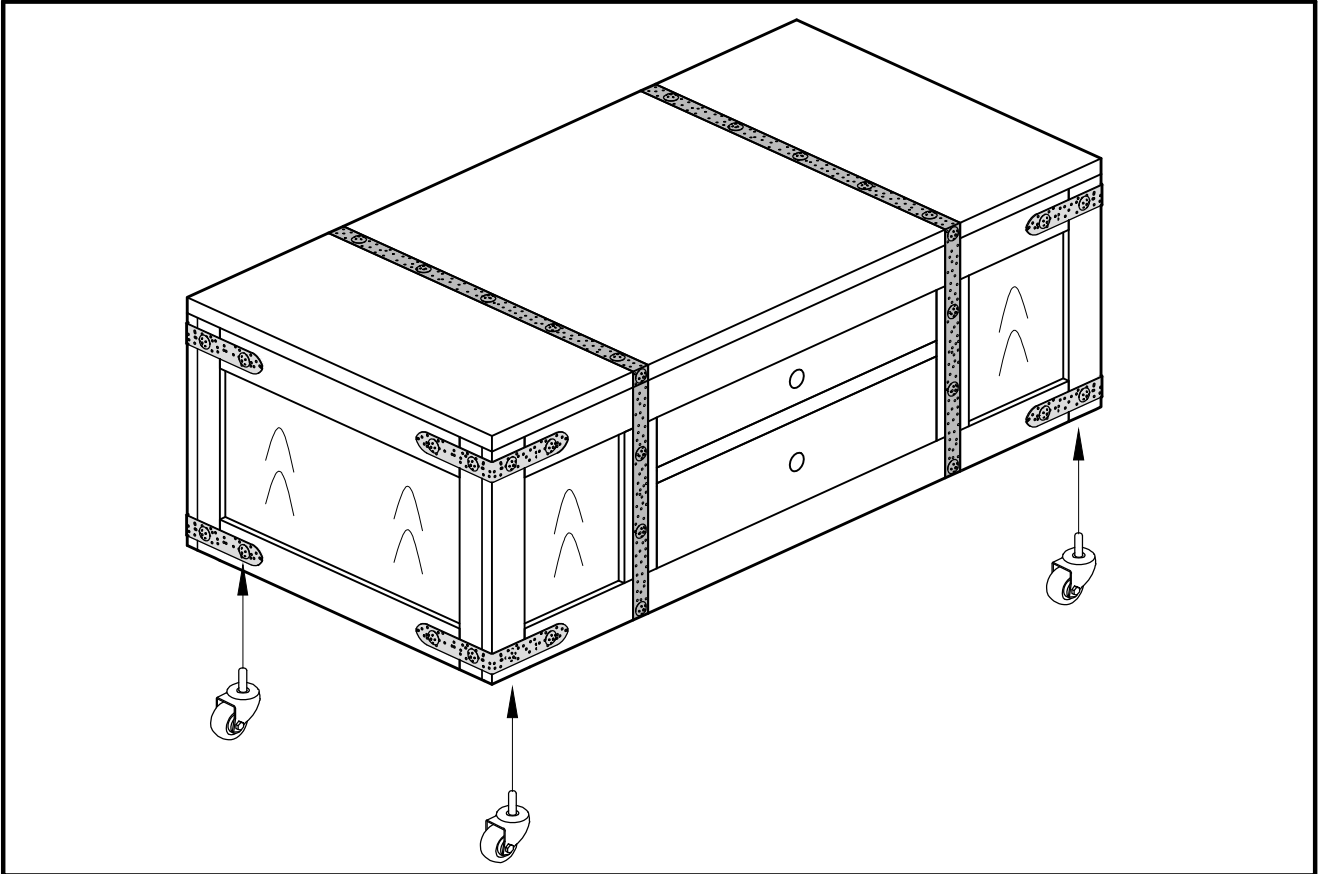


#3211RO-C Assembly Instruction



#3211DC\RO-C Use Instruction

