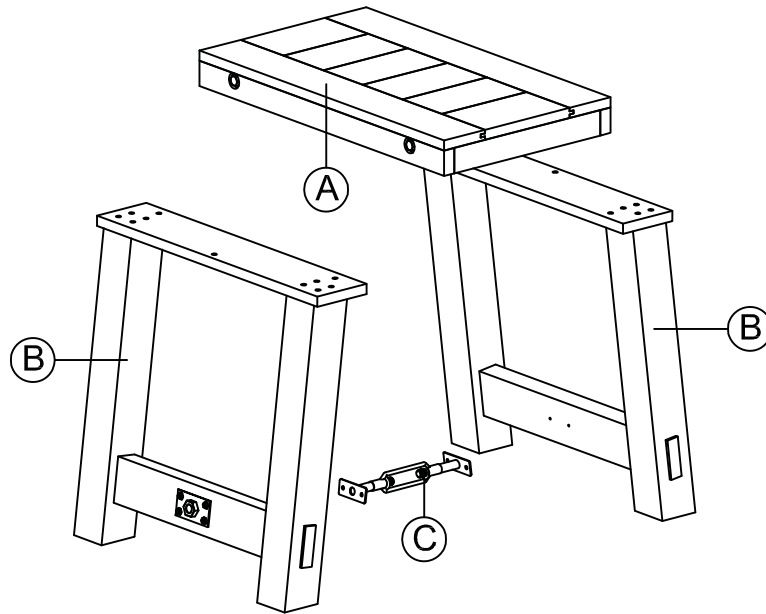


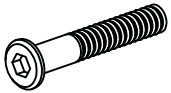


# ASSEMBLY INSTRUCTIONS #3189-CS



- A 1pc
- B 2pcs
- C 1pc

D. JCBC M6 x 50mm ( 6pcs )



E. Spring Washer M6 ( 6pcs )



F. Washer Plat M6 ( 6pcs )



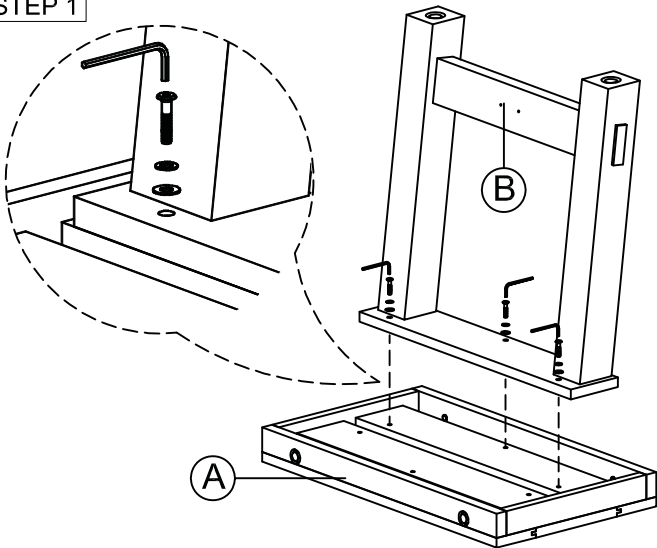
G. Screw M14 x 20mm ( 4pcs )



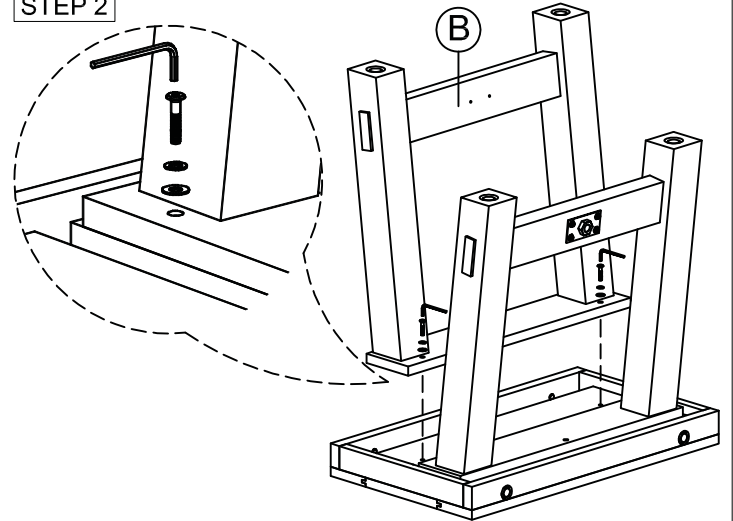
H. Allen Key L4 ( 1pc )



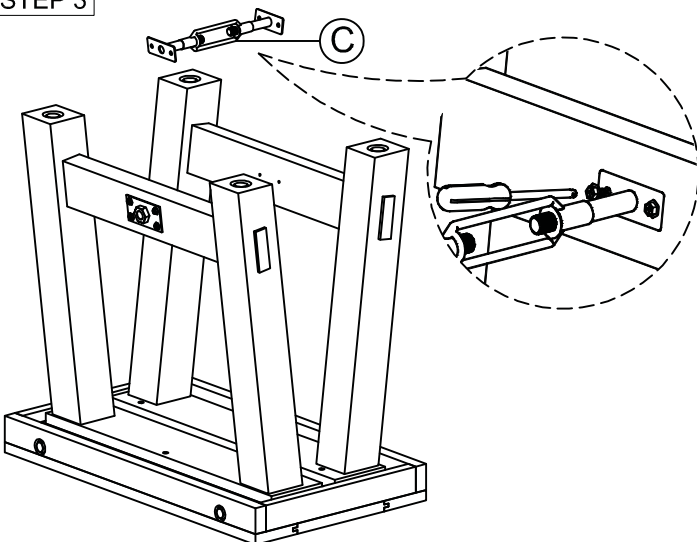
STEP 1



STEP 2



STEP 3



FINISH

