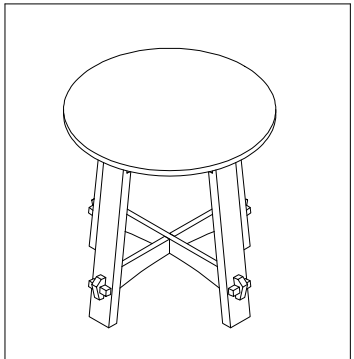


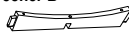







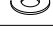



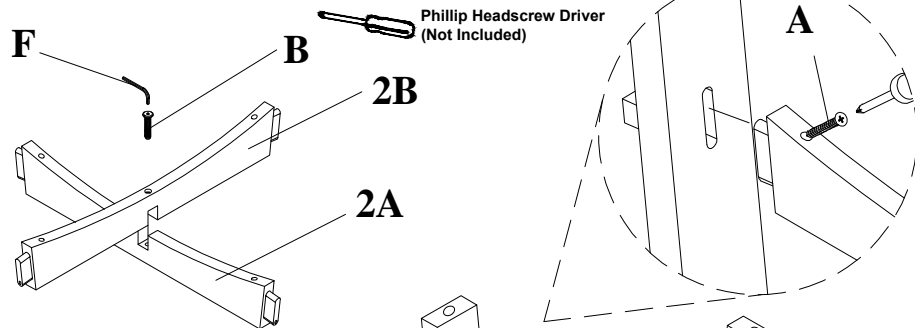
# ASSEMBLY INSTRUCTION #3172-E



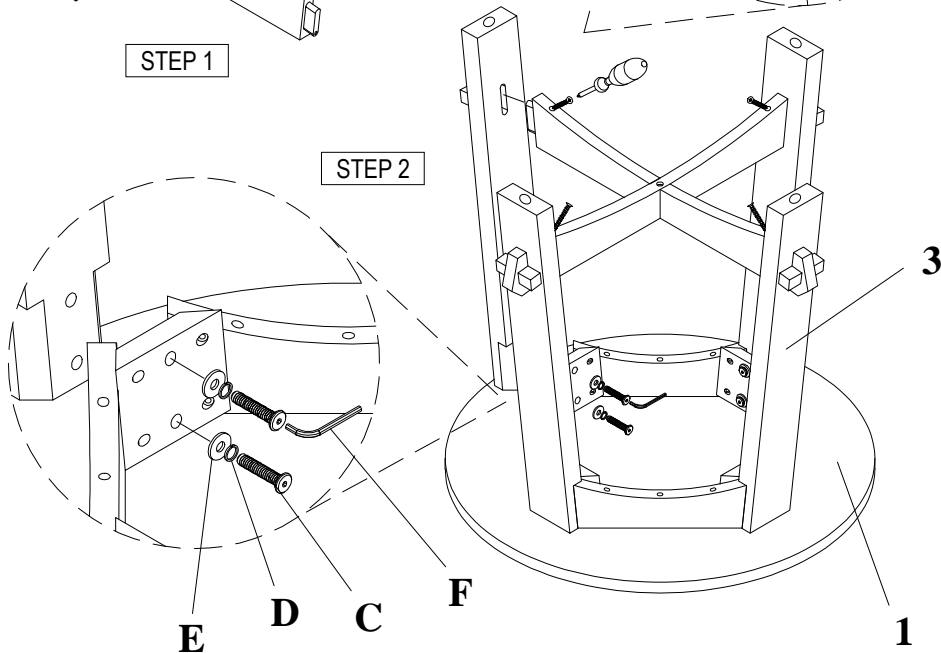
NO	DESCRIPTION	QTY
1	Top 	1 Pc
2A	Strecher A 	1 Pc
2B	Strecher B 	1 Pc
3	Leg 	4 Pcs

## HARDWARE LIST

NO	SKETCH	HARDWARE	QTY
A		Screw Ø8 x 50	4 Pcs
B		JCBC M6 x 35	1 Pc
C		JCBC M8 x 50	8 Pcs
D		Spring Washer	8 Pcs
E		Plat Washer	8 Pcs
F		L key	1 Pc



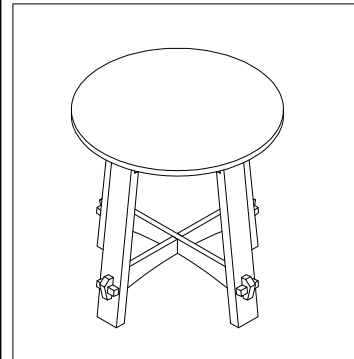
STEP 1



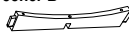



STEP 2






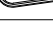


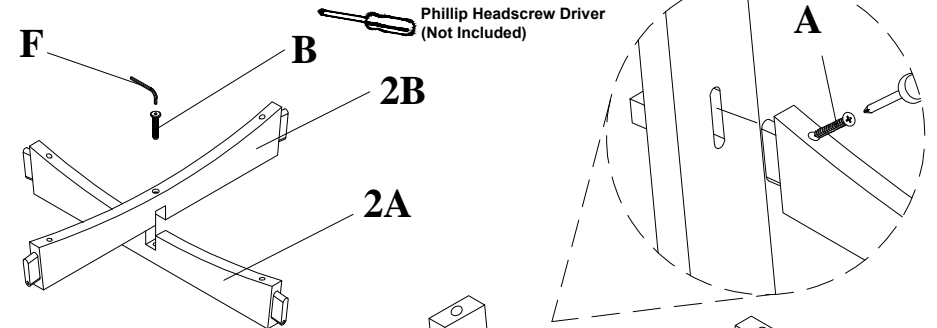
# ASSEMBLY INSTRUCTION #3172-E



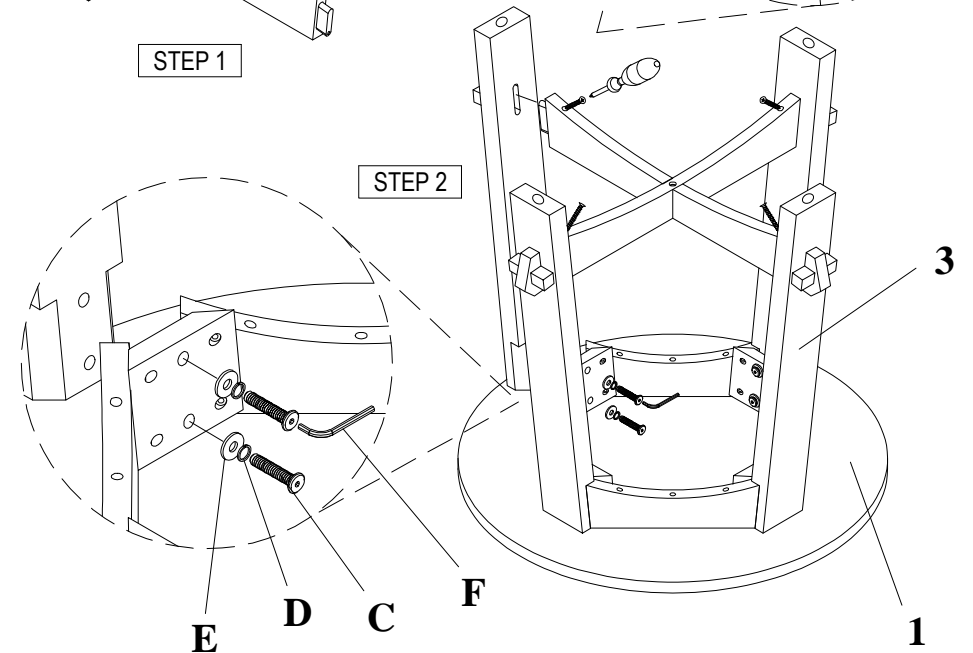
NO	DESCRIPTION	QTY
1	Top 	1 Pc
2A	Strecher A 	1 Pc
2B	Strecher B 	1 Pc
3	Leg 	4 Pcs

## HARDWARE LIST

NO	SKETCH	HARDWARE	QTY
A		Screw Ø8 x 50	4 Pcs
B		JCBC M6 x 35	1 Pc
C		JCBC M8 x 50	8 Pcs
D		Spring Washer	8 Pcs
E		Plat Washer	8 Pcs
F		L key	1 Pc



STEP 1



STEP 2