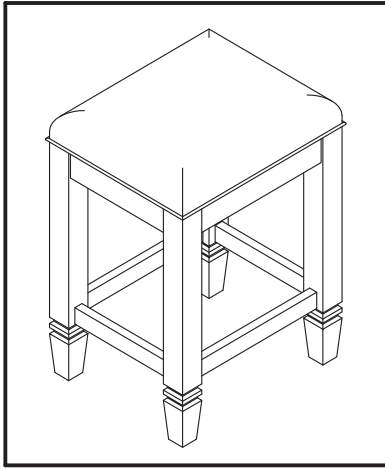




ASSEMBLY INSTRUCTIONS #3170-ST



HARDWARE LIST

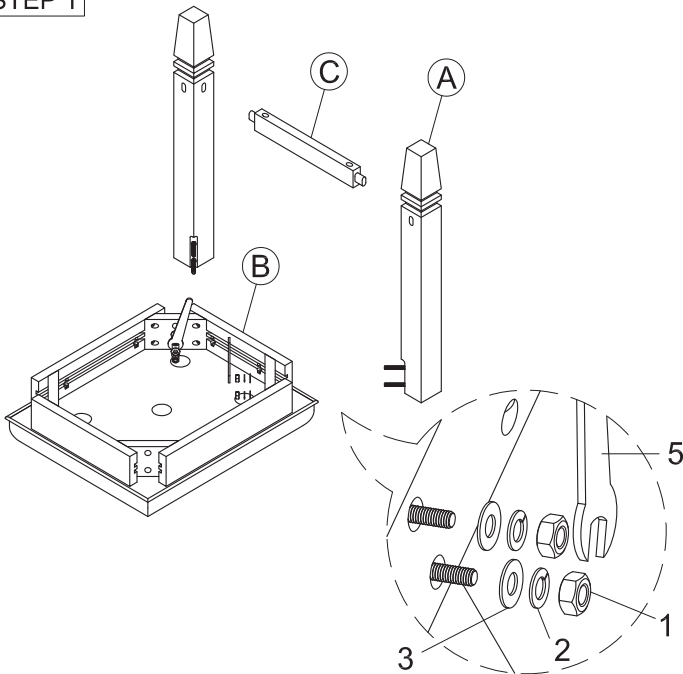
NO	SKETCH	HARDWARE	QTY
1		Hexagonal Nut M8	8 pcs
2		Spring Washer M8	8 pcs
3		Flat Washer	8 pcs
4		Screw Ø8 x 2"	8 pcs
5		Wrench Key	1 pc
6		Phillip Headscrew driver (not included)	

PART LIST

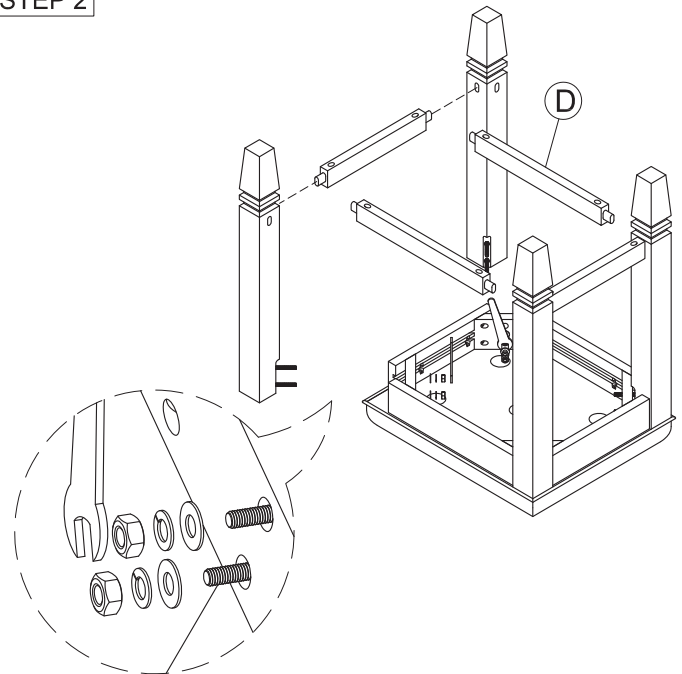
NO	DESCRIPTION	SKETCH	QTY
A	Leg		4 pcs
B	Cushion Seat		1 pc
C	Side Support		2 pcs
D	Strecher		2 pcs

ASSEMBLY STEP

STEP 1



STEP 2



STEP 3

