



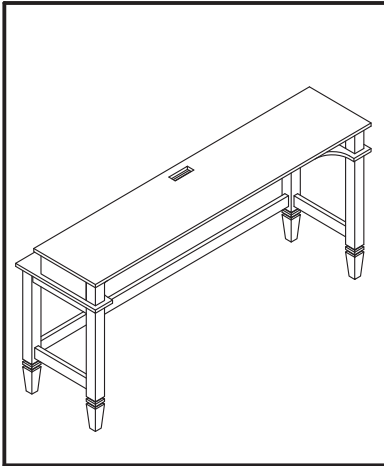
# ASSEMBLY INSTRUCTIONS #3170-CT

## HARDWARE LIST

NO	SKETCH	HARDWARE	QTY
1		JCBC M6 x 40mm	12 pcs
2		Screw Ø8 x 2"	2 pcs
3		Allen Key	1 pc
4		Phillip Headscrew driver (not included)	

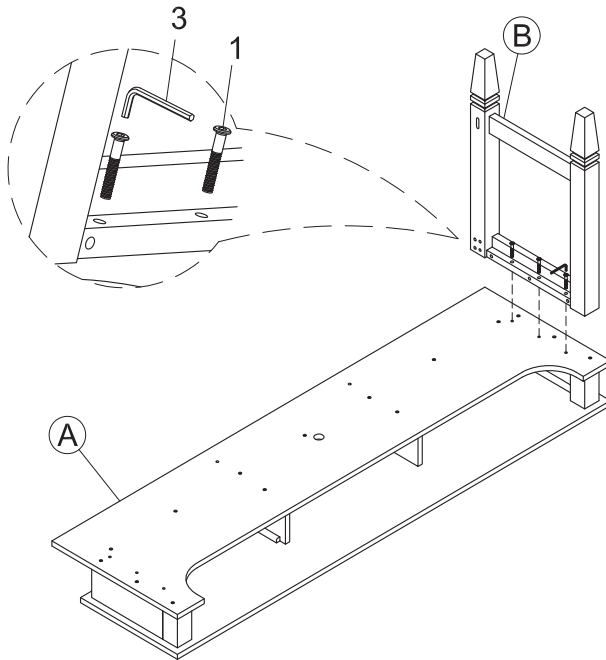
## PART LIST

NO	DESCRIPTION	SKETCH	QTY
A	Body		1 pc
B	Left Side		1 pc
C	Right Side		1 pc
D	Strecher		1 pc
E	Support		1 pc

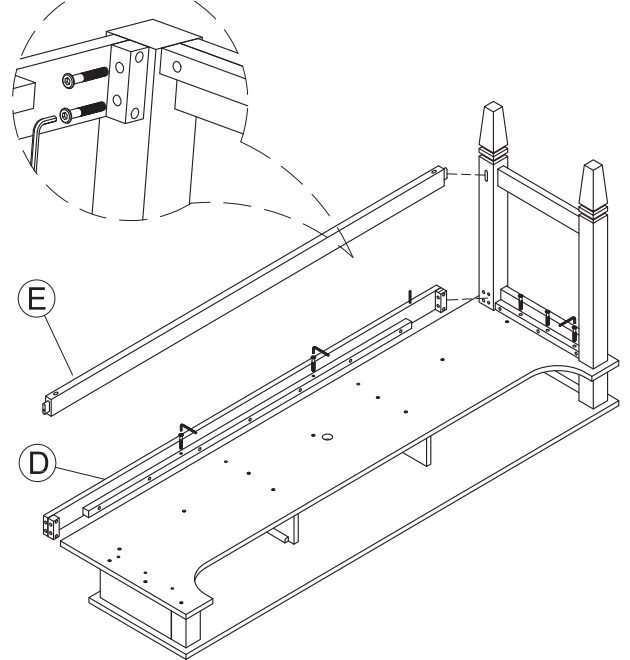


## ASSEMBLY STEP

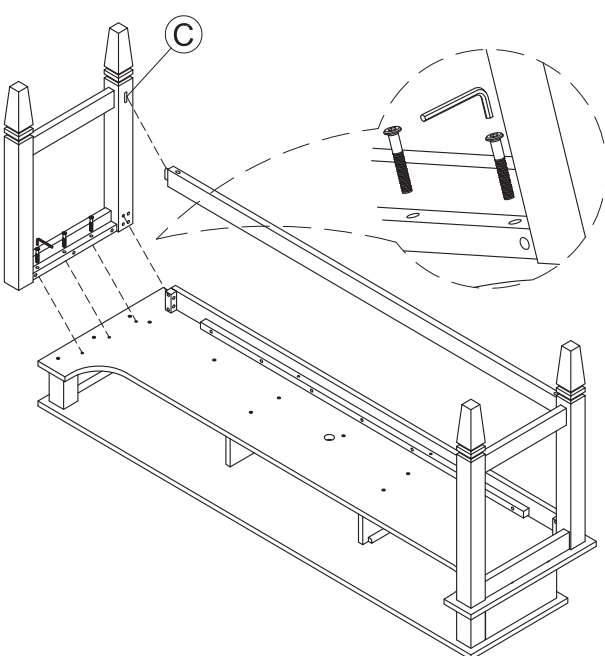
### STEP 1



### STEP 2



### STEP 3



### STEP 4

