



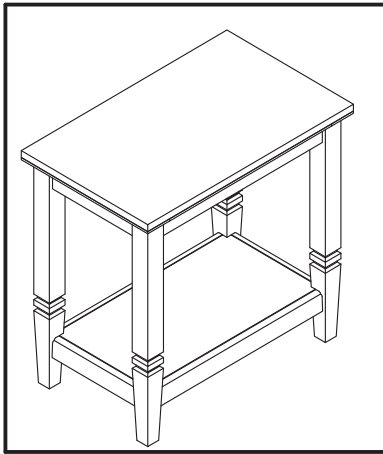
ASSEMBLY INSTRUCTIONS #3170-CS

HARDWARE LIST

NO	SKETCH	HARDWARE	QTY
1		Flat Washer	12 pcs
2		Spring Washer	12 pcs
3		Hexagonal Nut M8	12 pcs
4		Wrench Key	1 pc

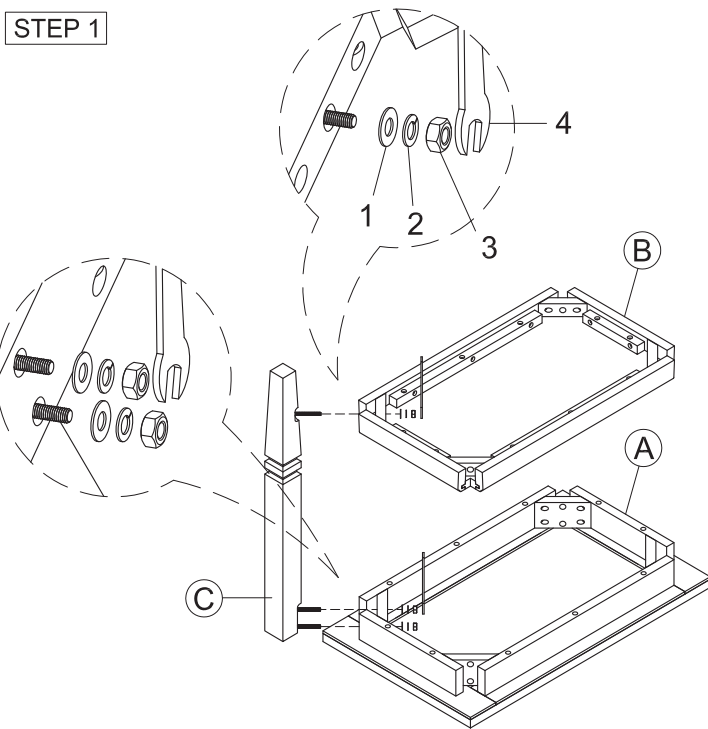
PART LIST

NO	DESCRIPTION	SKETCH	QTY
A	Top		1 pc
B	Shelf		1 pc
C	Leg		4 pcs

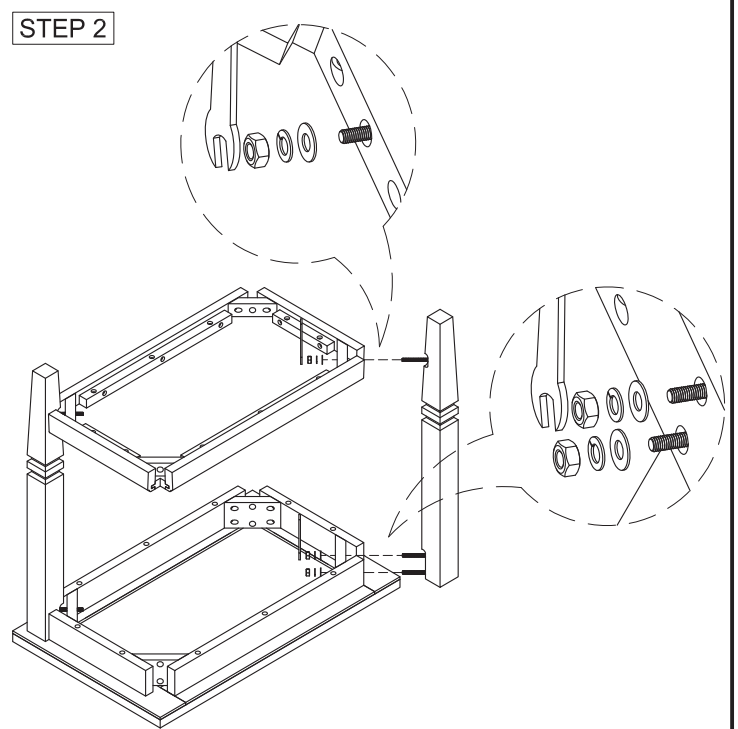


ASSEMBLY STEP

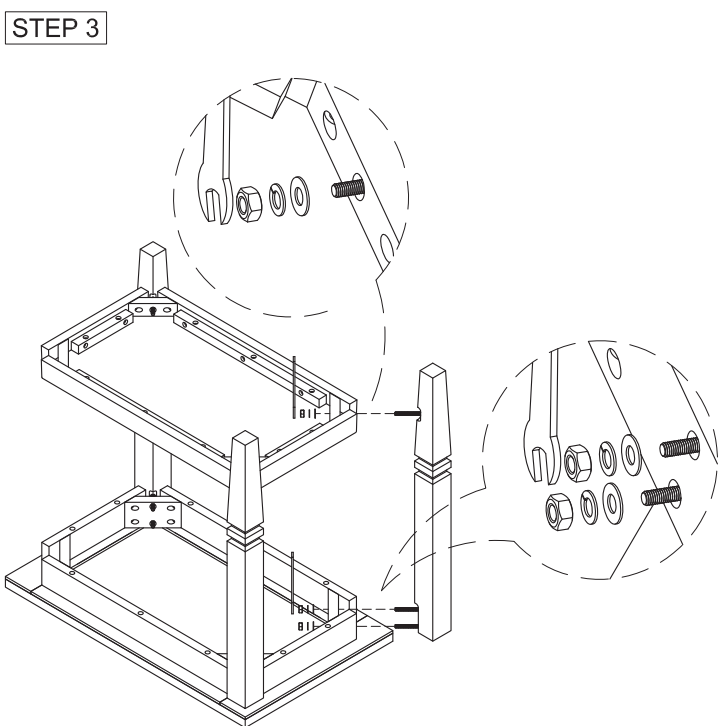
STEP 1



STEP 2



STEP 3



STEP 4

