



ASSEMBLY INSTRUCTION #3169-S

HARDWARE LIST

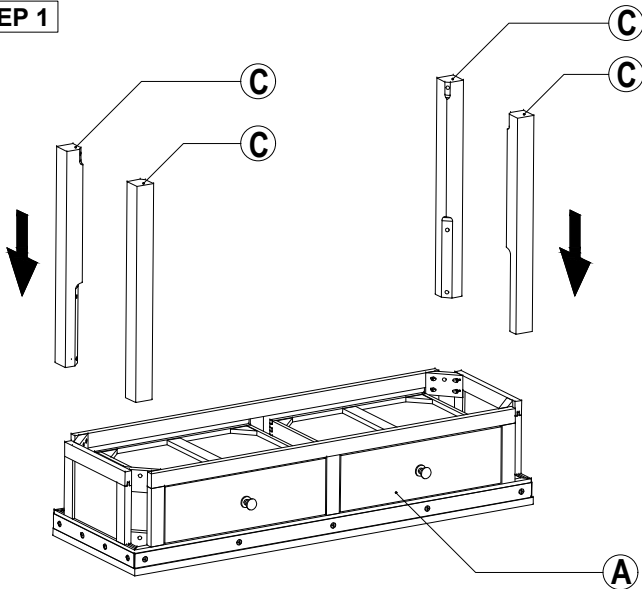
PART LIST



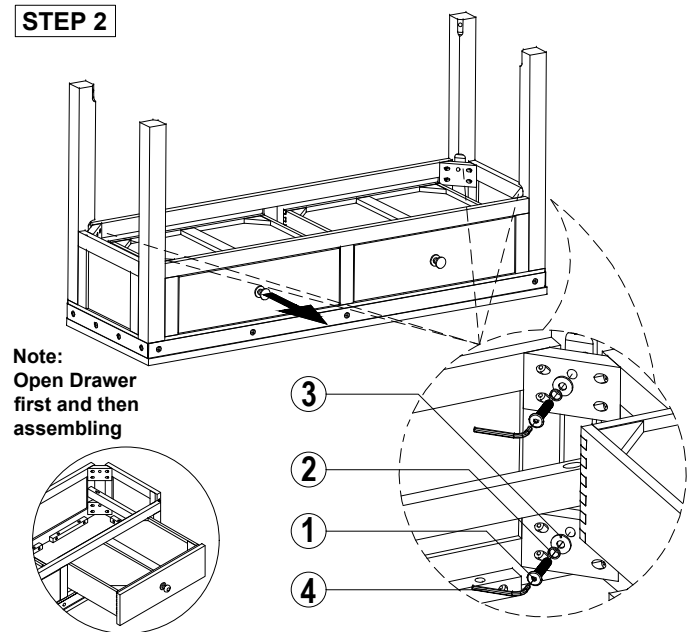
| N O | SKETCH | HARDWARE | QTY |
|-----|--------|-----------------|--------|
| 1 | | JCBC M8 x 50 mm | 12 pcs |
| 2 | | Spring Washer | 12 pcs |
| 3 | | Flat Washer | 12 pcs |
| 4 | | Allen Key | 1 pc |

| N O | DESCRIPTION | SKETCH | QTY |
|-----|-------------|--------|-------|
| A | Top | | 1 pc |
| B | Bottom | | 1 pc |
| C | Leg | | 4 pcs |

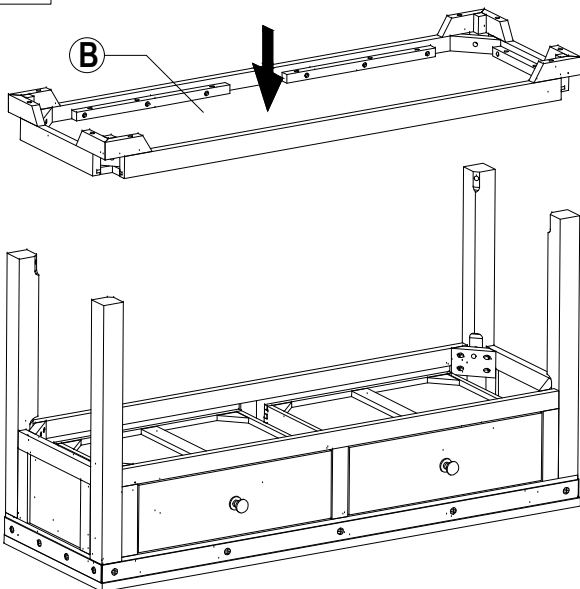
STEP 1



STEP 2



STEP 3



STEP 4

