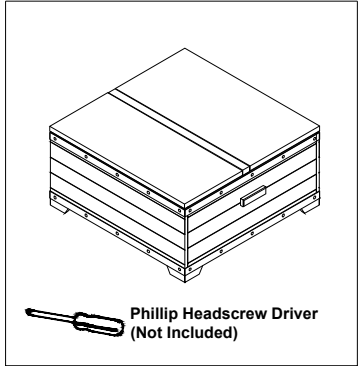


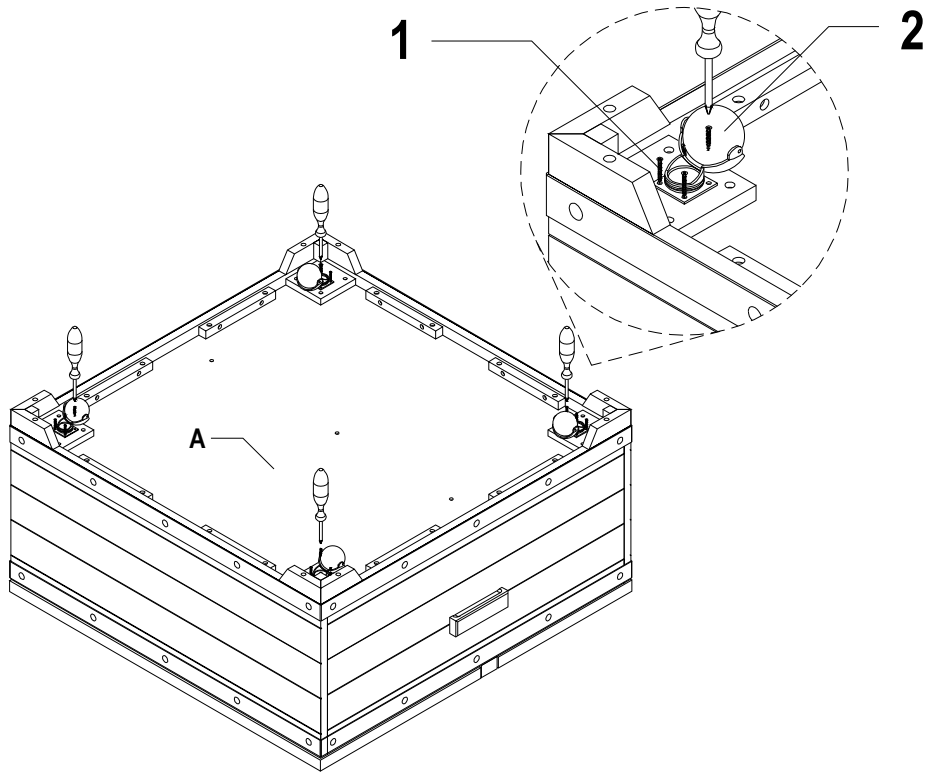


# ASSEMBLY INSTRUCTION #3169-C

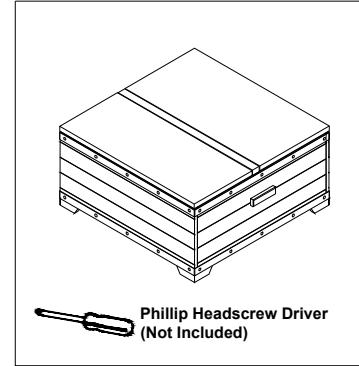


NO	SKETCH	HARDWARE	QTY
1		Screw	16 Pcs
2		Caster	4 Pcs

NO	DESCRIPTION	SKETCH	QTY
A	Item 3169-C		1 Pc



# ASSEMBLY INSTRUCTION #3169-C



NO	SKETCH	HARDWARE	QTY
1		Screw	16 Pcs
2		Caster	4 Pcs

NO	DESCRIPTION	SKETCH	QTY
A	Item 3169-C		1 Pc

