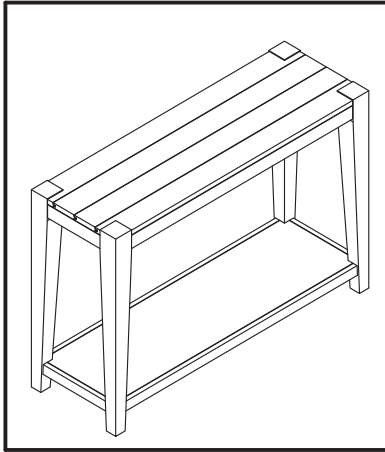




# ASSEMBLY INSTRUCTIONS #3162WB-S



## HARDWARE LIST

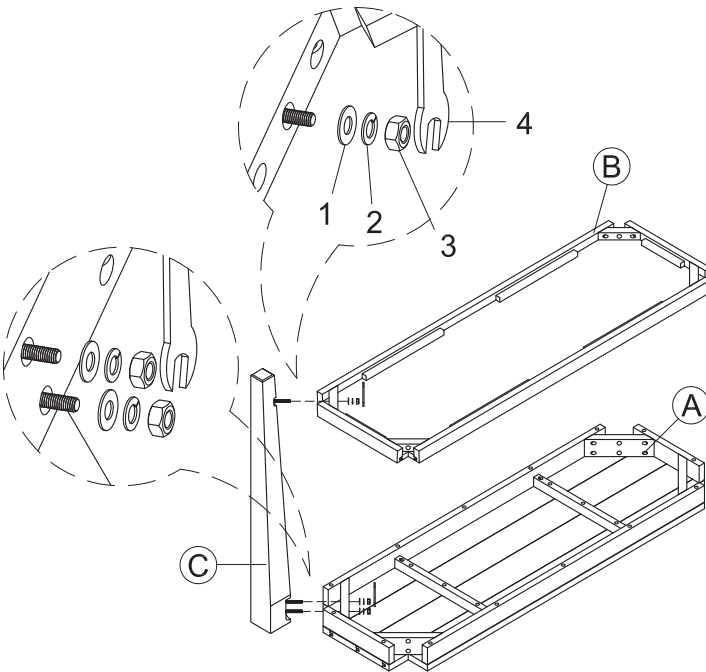
NO	SKETCH	HARDWARE	QTY
1		Flat Washer	12 pcs
2		Spring Washer	12 pcs
3		Hexagonal Nut M8	12 pcs
4		Wrench Key	1 pc

## PART LIST

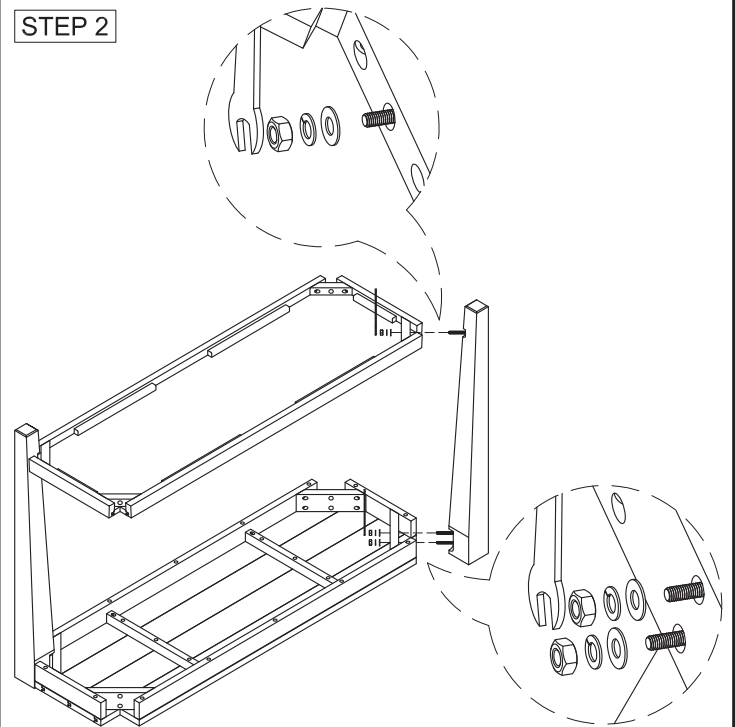
NO	DESCRIPTION	SKETCH	QTY
A	Top		1 pc
B	Shelf		1 pc
C	Leg		4 pcs

## ASSEMBLY STEP

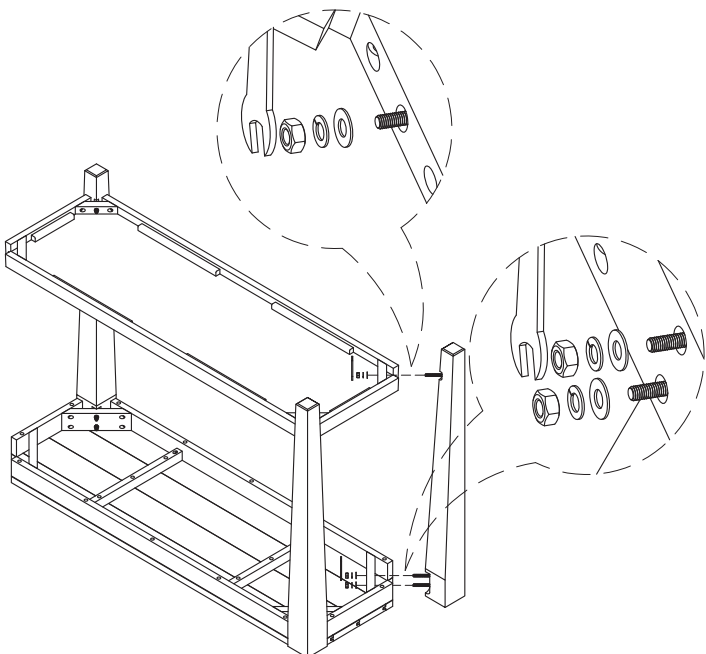
### STEP 1



### STEP 2



### STEP 3



### STEP 4

