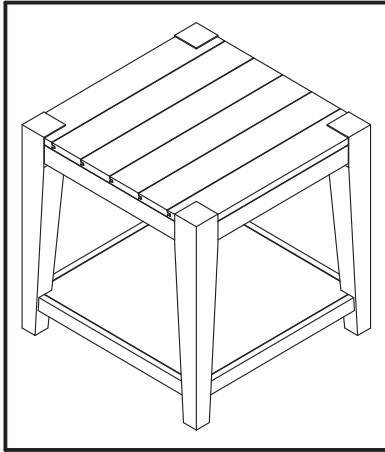




ASSEMBLY INSTRUCTIONS #3162WB-E



HARDWARE LIST

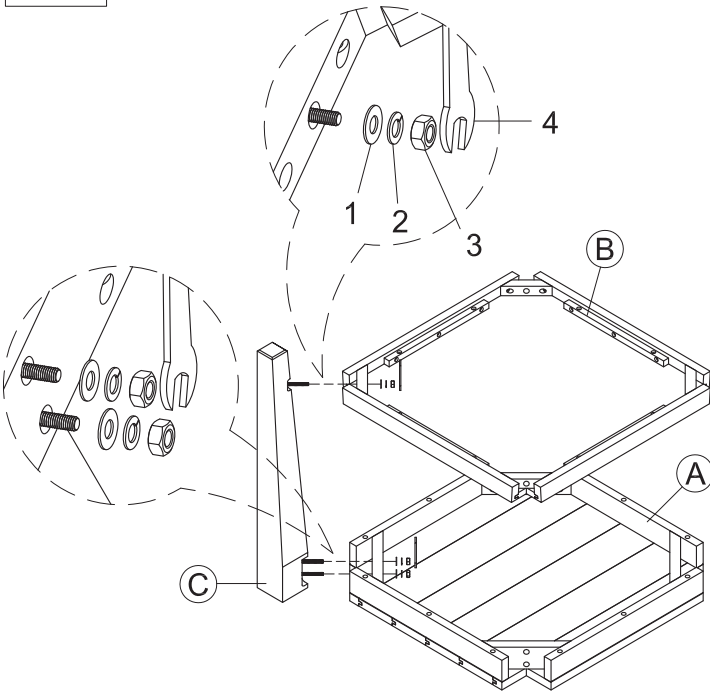
NO	SKETCH	HARDWARE	QTY
1		Flat Washer	12 pcs
2		Spring Washer	12 pcs
3		Hexagonal Nut M8	12 pcs
4		Wrench Key	1 pc

PART LIST

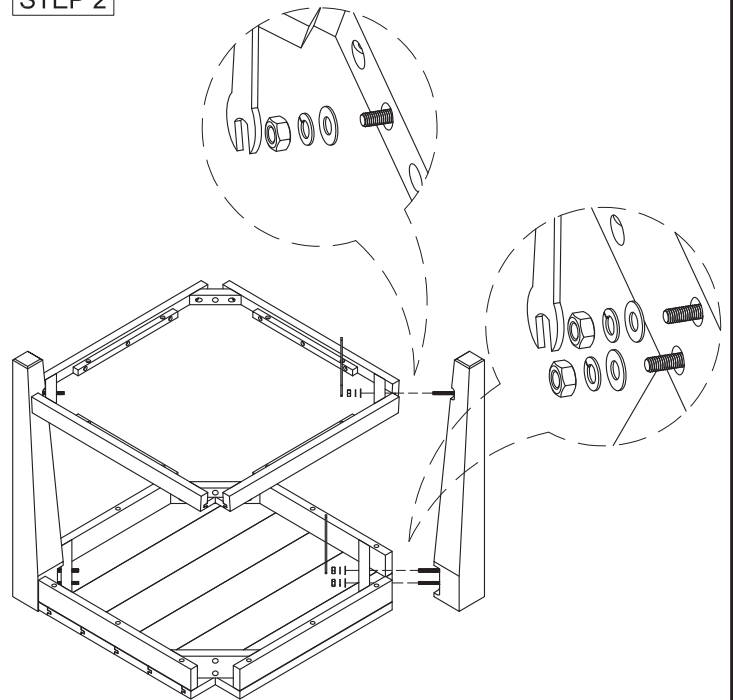
NO	DESCRIPTION	SKETCH	QTY
A	Top		1 pc
B	Shelf		1 pc
C	Leg		4 pcs

ASSEMBLY STEP

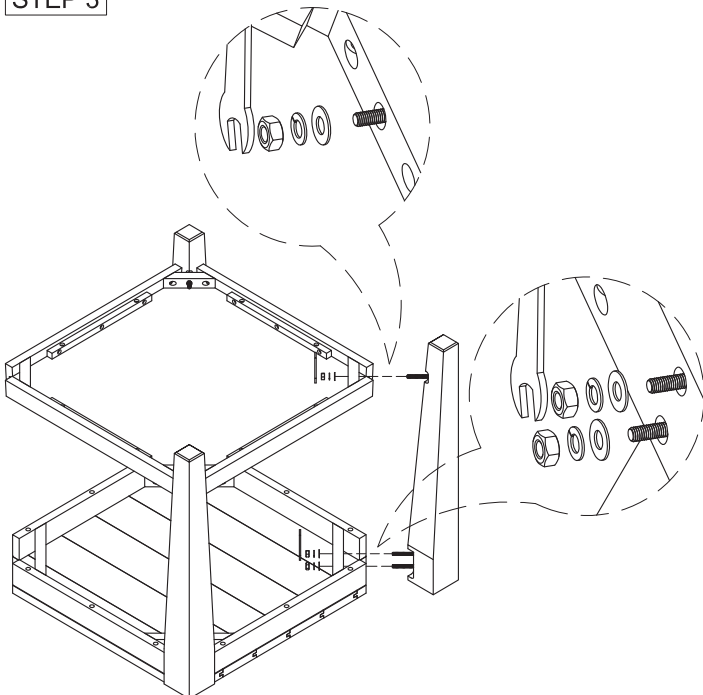
STEP 1



STEP 2



STEP 3



STEP 4

