



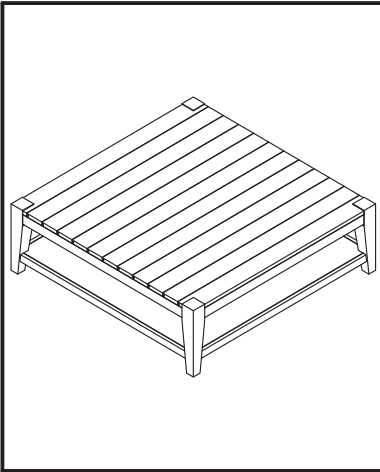
ASSEMBLY INSTRUCTIONS #3162WB-C

HARDWARE LIST

NO	SKETCH	HARDWARE	QTY
1		Hexagonal Nut M8	12 pcs
2		Flat Washer	12 pcs
3		Spring Washer	12 pcs
4		Wrench Key	1 pc
5		JCBC M6 x 50mm	8 pcs
6		Allen Key	1 pc

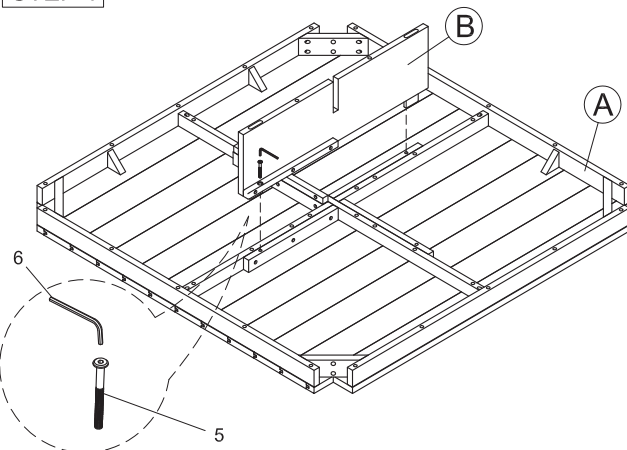
PART LIST

NO	DESCRIPTION	SKETCH	QTY
A	TOP		1 pc
B	Panel-A		1 pc
C	Panel-B		1 pc
D	Shelf		1 pc
E	Leg		4 pcs
F	Center Leg		1 pc

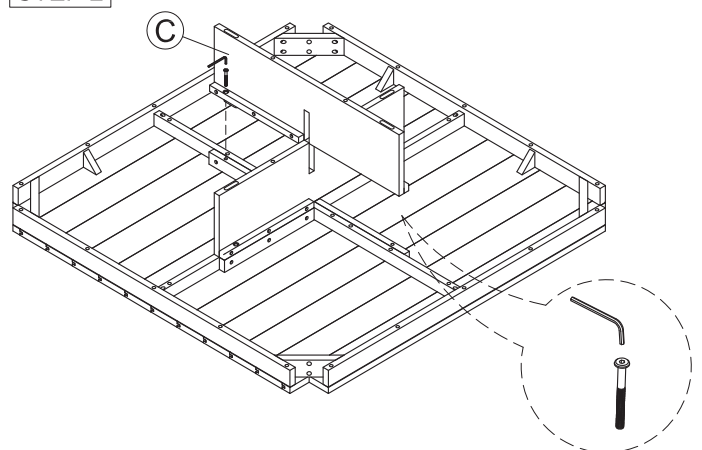


ASSEMBLY STEP

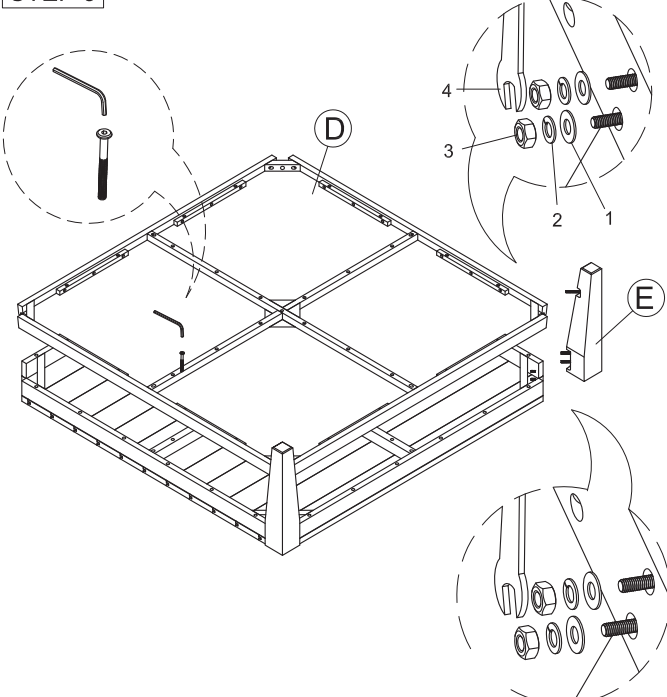
STEP 1



STEP 2



STEP 3



STEP 4

