



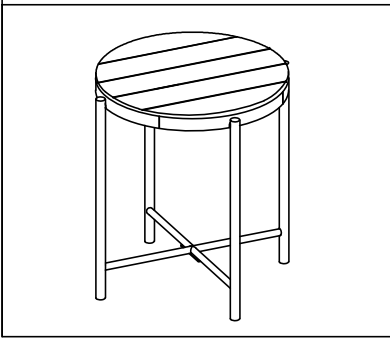
# ASSEMBLY INSTRUCTION #3161WB-CS

## HARDWARE LIST

NO	SKETCH	HARDWARE	QTY
1		JCBC M6 x 15	10 pcs
2		Flat Washer M6	10 pcs
3		Screw Ø8x40mm	8 pcs
4		Allen Key	1 pc
		Philip Headscrew driver (not included)	

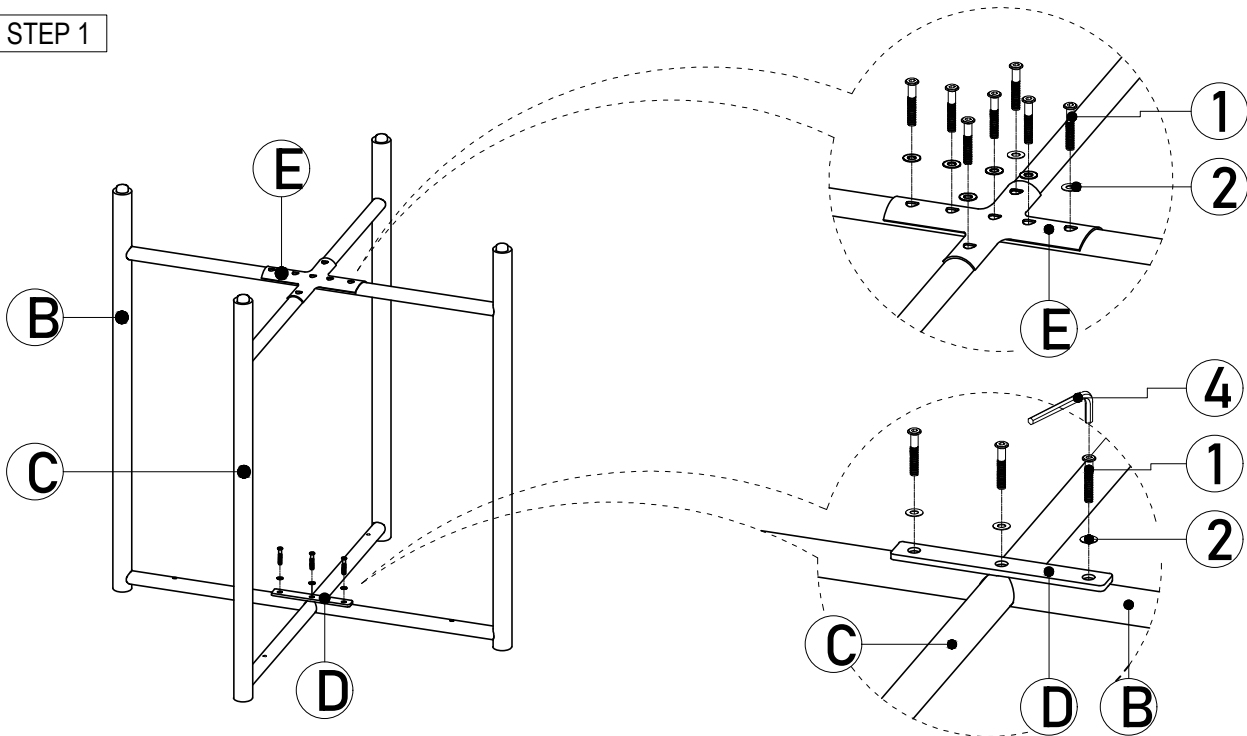
## PART LIST

NO	DESCRIPTION	SKETCH	QTY
A	Top		1 pc
B	Legs 1		2 pcs
C	Legs 2		2 pcs
D	CLeat Stretcher 1		1 pc
E	CLeat Stretcher 2		1 pc



## ASSEMBLY STEP

### STEP 1



### STEP 2

