



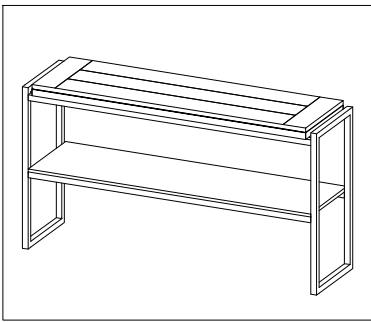
ASSEMBLY INSTRUCTION #3159-S

HARDWARE LIST

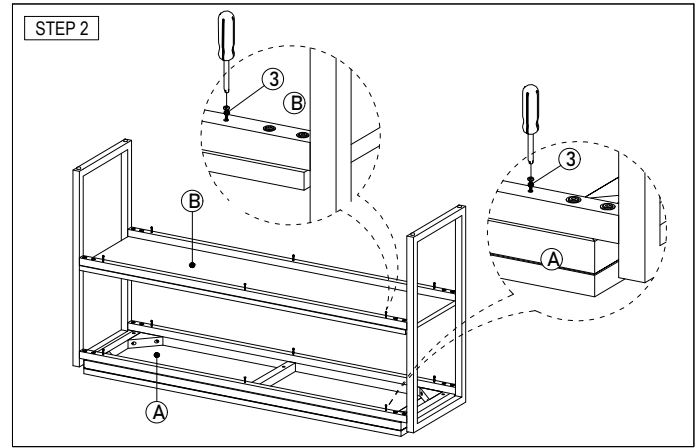
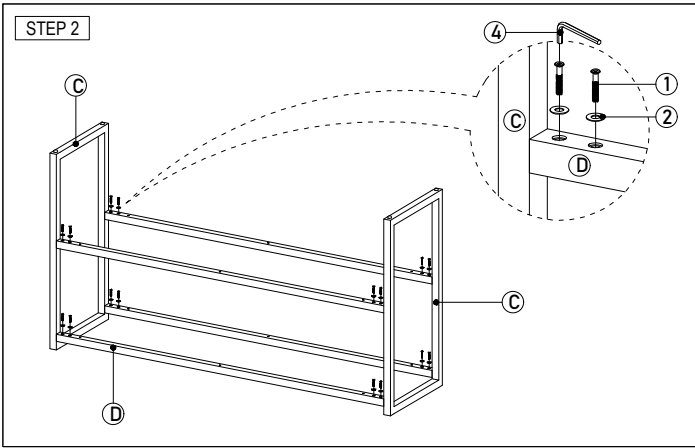
NO	SKETCH	HARDWARE	QTY
1		JCBC M6x15	16 pcs
2		Flat Washer M6	16 pcs
3		Screw Ø8x38mm	12 pcs
4		Allen Key	1 pc
		Philip Headscrew driver (not included)	

PART LIST

NO	DESCRIPTION	SKETCH	QTY
A	Top		1 pc
B	Shelf		1 pc
C	Metal Legs		2 pcs
D	Metal Stretcher		4 pcs



ASSEMBLY STEP



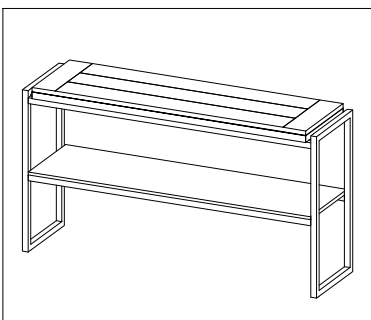
ASSEMBLY INSTRUCTION #3159-S

HARDWARE LIST

NO	SKETCH	HARDWARE	QTY
1		JCBC M6x15	16 pcs
2		Flat Washer M6	16 pcs
3		Screw Ø8x38mm	12 pcs
4		Allen Key	1 pc
		Philip Headscrew driver (not included)	

PART LIST

NO	DESCRIPTION	SKETCH	QTY
A	Top		1 pc
B	Shelf		1 pc
C	Metal Legs		2 pcs
D	Metal Stretcher		4 pcs



ASSEMBLY STEP

