






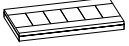





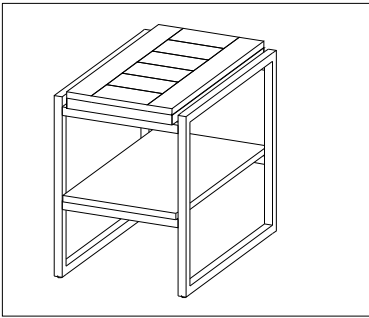
ASSEMBLY INSTRUCTION #3159-CS

HARDWARE LIST

NO	SKETCH	HARDWARE	QTY
1		JCBC M6x15	16 pcs
2		Flat Washer M6	16 pcs
3		Screw Ø8x38mm	8 pcs
4		Allen Key	1 pc
		Philip Headscrew driver (not included)	

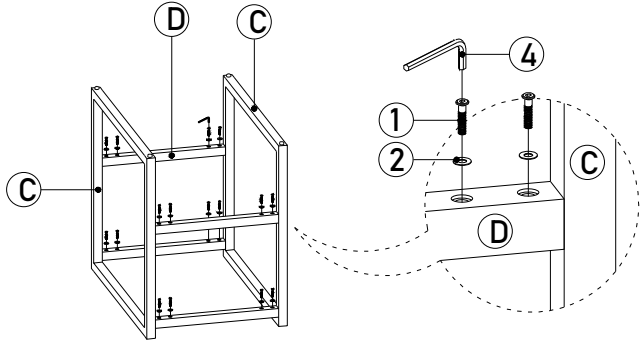
PART LIST

NO	DESCRIPTION	SKETCH	QTY
A	Top		1 pc
B	Shelf		1 pc
C	Metal Legs		2 pcs
D	Metal Stretcher		4 pcs

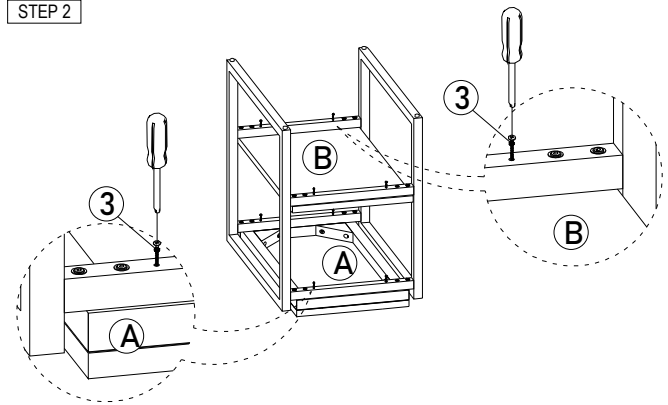


ASSEMBLY STEP

STEP 1








STEP 2



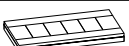





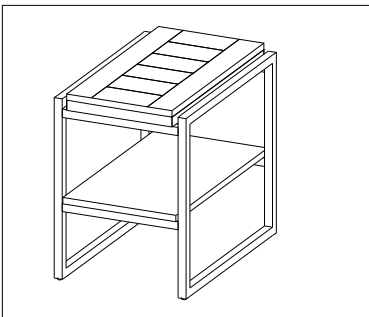
ASSEMBLY INSTRUCTION #3159-CS

HARDWARE LIST

NO	SKETCH	HARDWARE	QTY
1		JCBC M6x15	16 pcs
2		Flat Washer M6	16 pcs
3		Screw Ø8x38mm	8 pcs
4		Allen Key	1 pc
		Philip Headscrew driver (not included)	

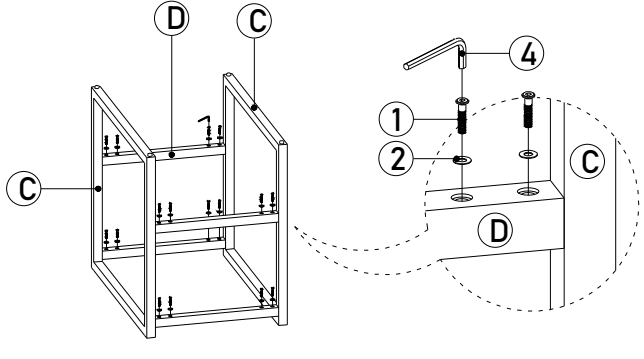
PART LIST

NO	DESCRIPTION	SKETCH	QTY
A	Top		1 pc
B	Shelf		1 pc
C	Metal Legs		2 pcs
D	Metal Stretcher		4 pcs



ASSEMBLY STEP

STEP 1



STEP 2

