

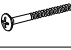



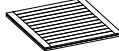





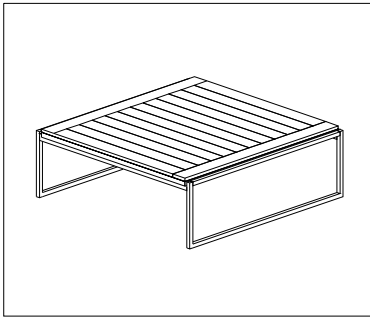
ASSEMBLY INSTRUCTION #3159-C2

HARDWARE LIST

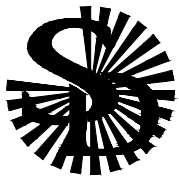
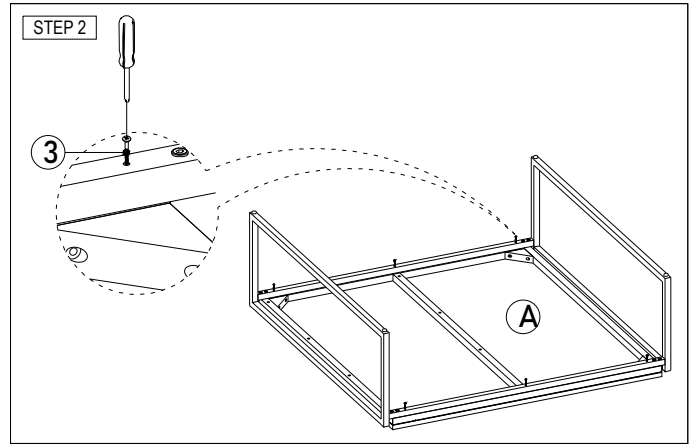
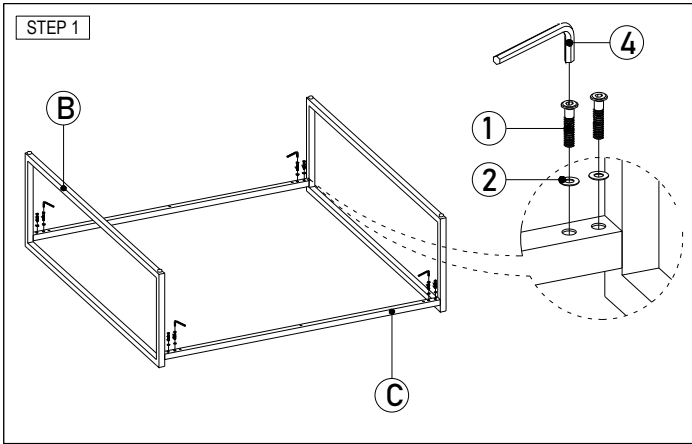
NO	SKETCH	HARDWARE	QTY
1		JCBC M6 x 15	8 pcs
2		Flat Washer M6	8 pcs
3		Screw Ø8x38mm	6 pcs
4		Allen Key	1 pc

PART LIST

NO	DESCRIPTION	SKETCH	QTY
A	Top		1 pc
B	Legs		2 pcs
C	Stretcher		2 pcs
			Philip Headscrew driver (not included)







ASSEMBLY STEP

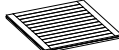





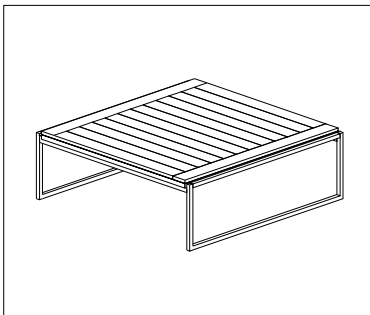
ASSEMBLY INSTRUCTION #3159-C2

HARDWARE LIST

NO	SKETCH	HARDWARE	QTY
1		JCBC M6 x 15	8 pcs
2		Flat Washer M6	8 pcs
3		Screw Ø8x38mm	6 pcs
4		Allen Key	1 pc

PART LIST

NO	DESCRIPTION	SKETCH	QTY
A	Top		1 pc
B	Legs		2 pcs
C	Stretcher		2 pcs
			Philip Headscrew driver (not included)



ASSEMBLY STEP

