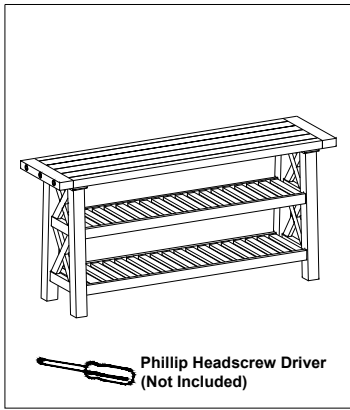




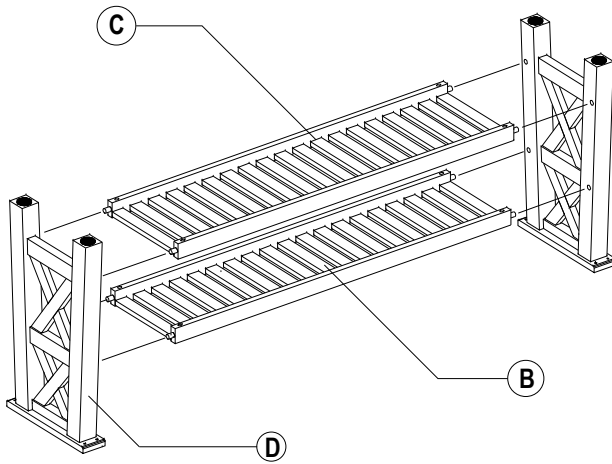
ASSEMBLY INSTRUCTION #3156-S



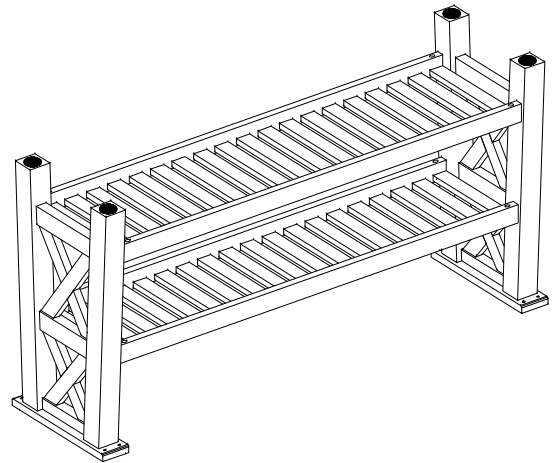
NO	SKETCH	HARDWARE	QTY
1		Screw Ø8 x 50	8 Pcs
2		JCBC M8x40	8 Pcs
3		Sping Washer	8 Pcs
4		Plat Washer	8 Pcs
5		Allen Key	1 Pc

NO	DESCRIPTION	SKETCH	QTY
A	Top		1 Pc
B	Shelf middle		1 Pc
C	Shelf bottom		1 Pc
D	Leg		2 Pcs

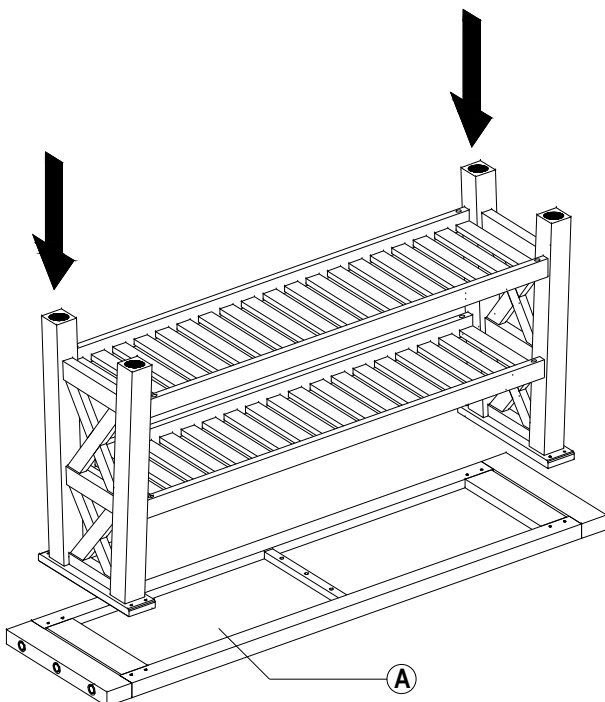
STEP 1



STEP 2



STEP 3



STEP 4

