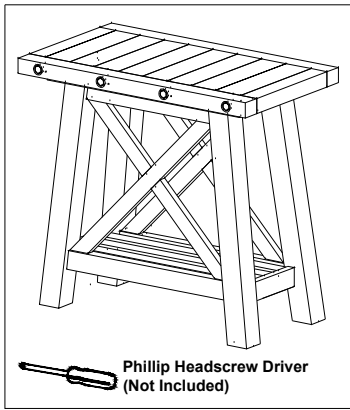




ASSEMBLY INSTRUCTION #3156-CS

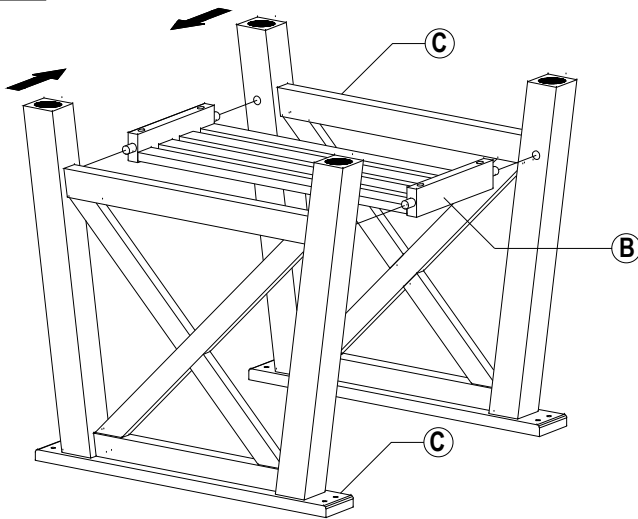


Phillip Headscrew Driver
(Not Included)

NO	SKETCH	HARDWARE	QTY
1		Screw Ø8 x 50	4 Pcs
2		JCBC M8x40	8 Pcs
3		Sping Washer	8 Pcs
4		Plat Washer	8 Pcs
5		Allen Key	1 Pc

NO	DESCRIPTION	SKETCH	QTY
A	Top		1 Pc
B	Shelf		1 Pc
C	Leg		2 Pcs

STEP 1



STEP 2

