




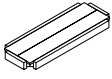




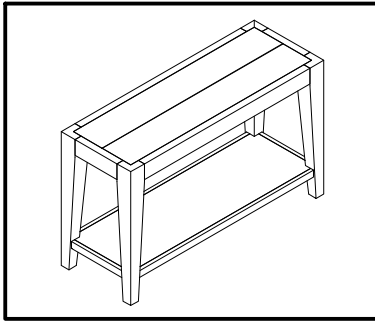
ASSEMBLY INSTRUCTION #3148-S

HARDWARE LIST

| NO | SKETCH | HARDWARE | QTY |
|----|-----------------------------------------------------------------------------------|----------------|--------|
| 1 |  | JCBC M8 x 60 | 12 pcs |
| 2 |  | Flat Washer M8 | 12 pcs |
| 3 |  | Allen Key | 1 pc |

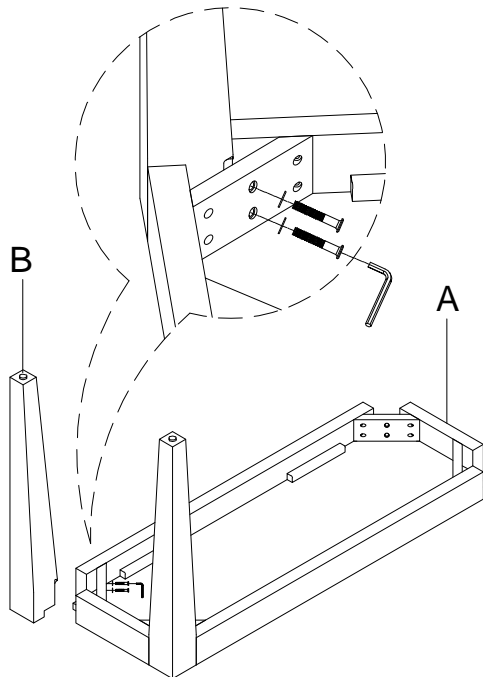
PART LIST

| NO | DESCRIPTION | SKETCH | QTY |
|----|-------------|-------------------------------------------------------------------------------------|-------|
| A | Top |  | 1 pc |
| B | Leg |  | 4 pcs |
| C | Shelf |  | 1 pc |

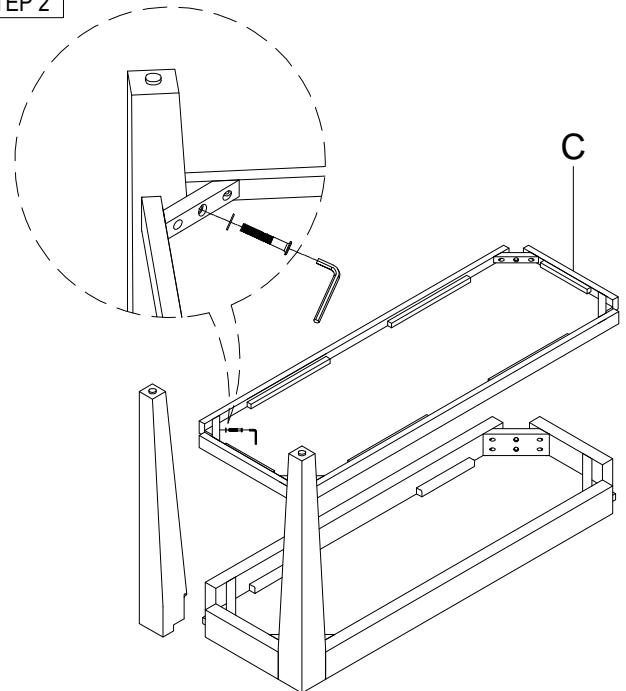


ASSEMBLY STEP

STEP 1



STEP 2



STEP 3

